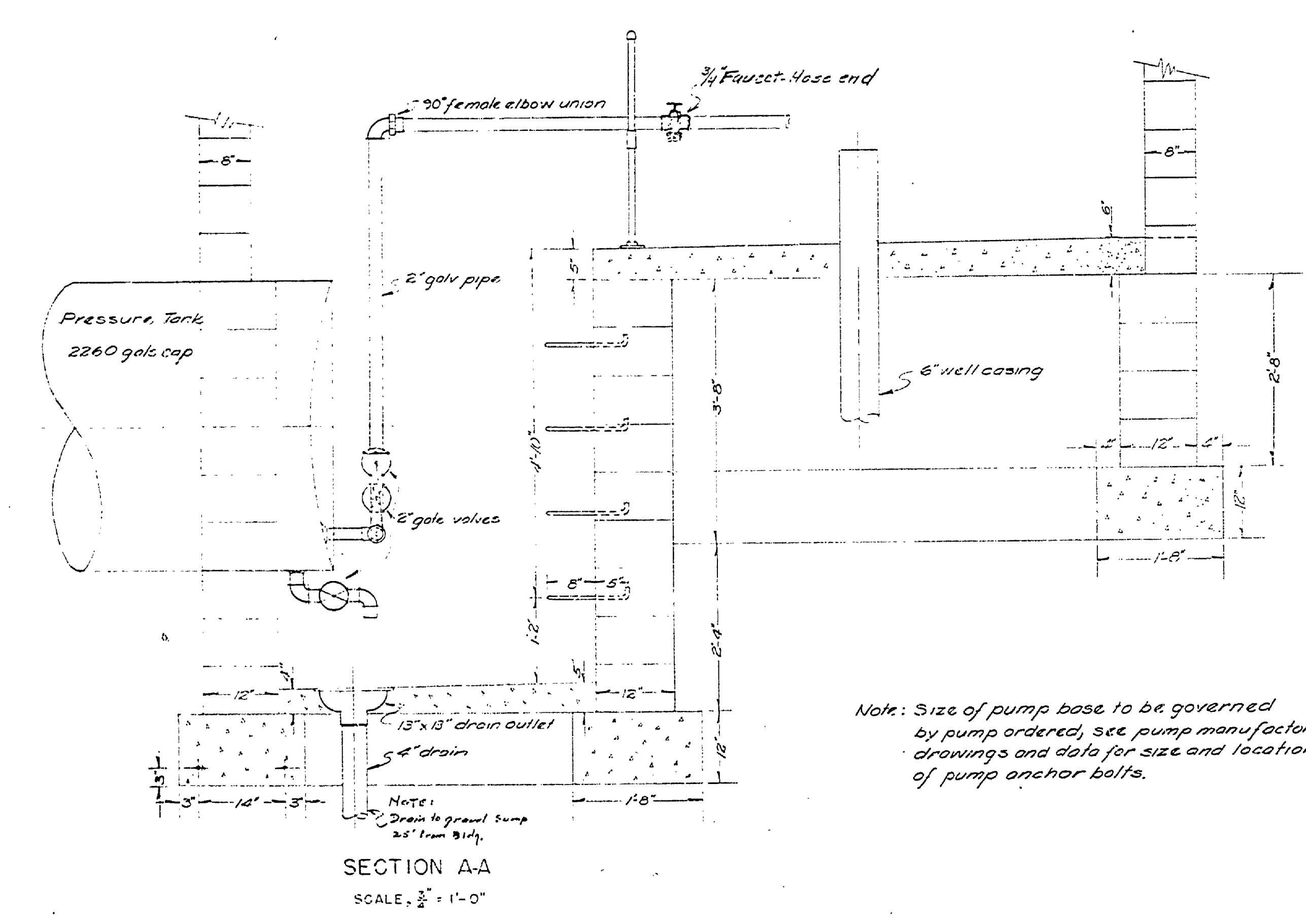
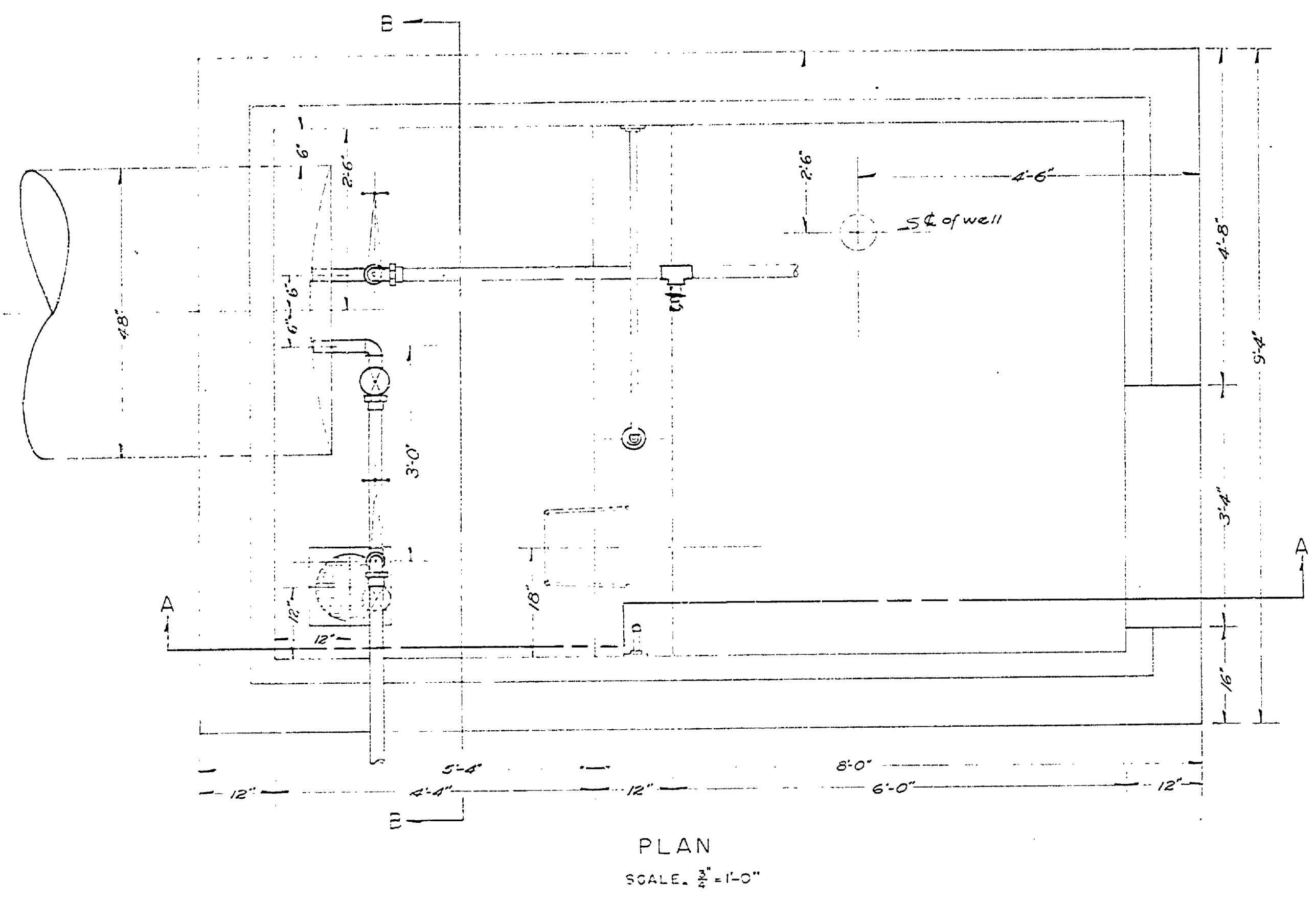
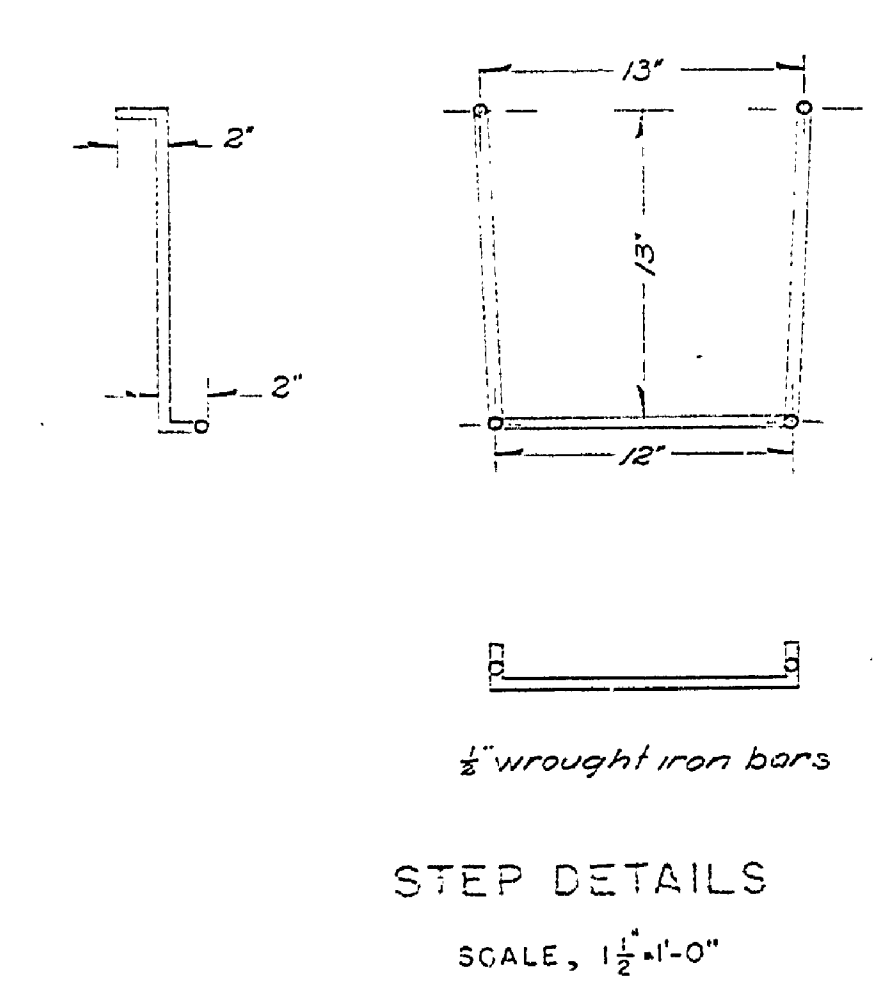
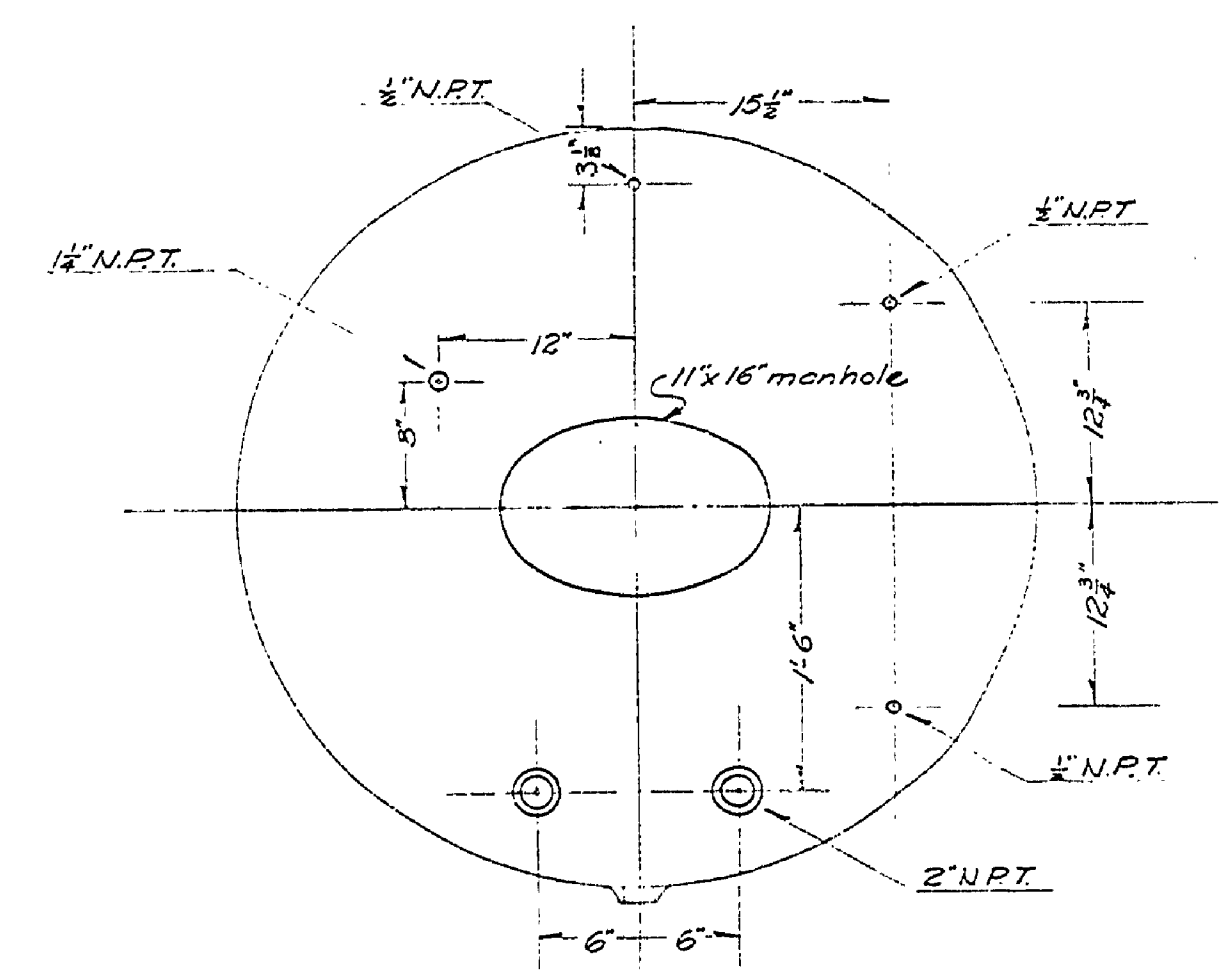
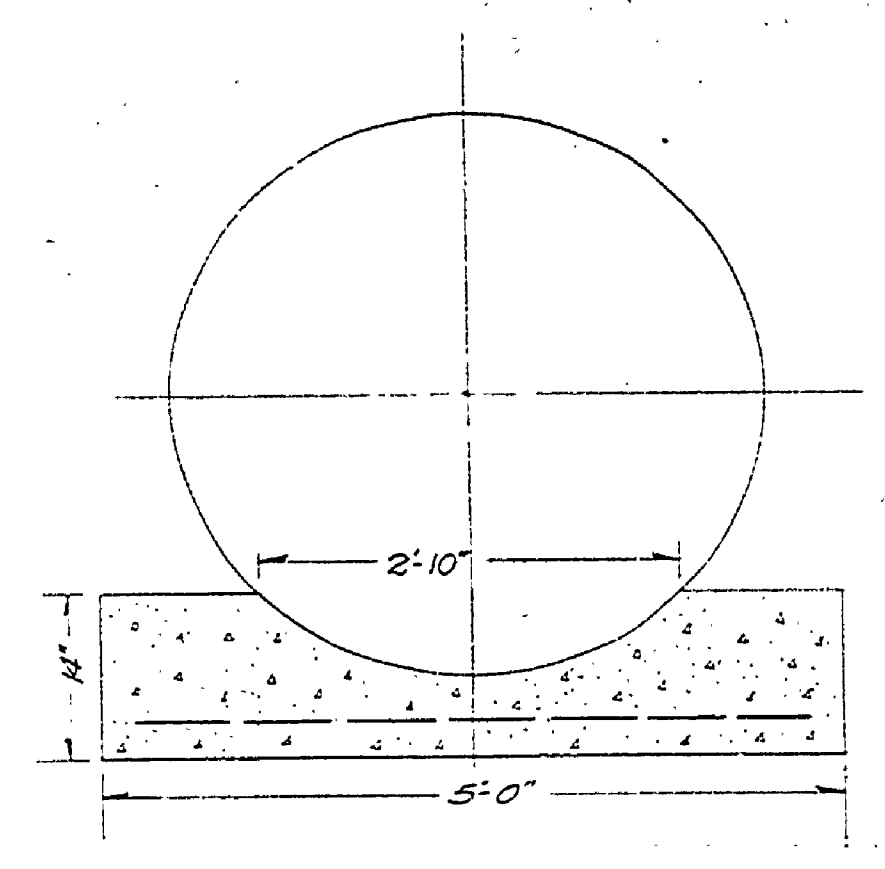
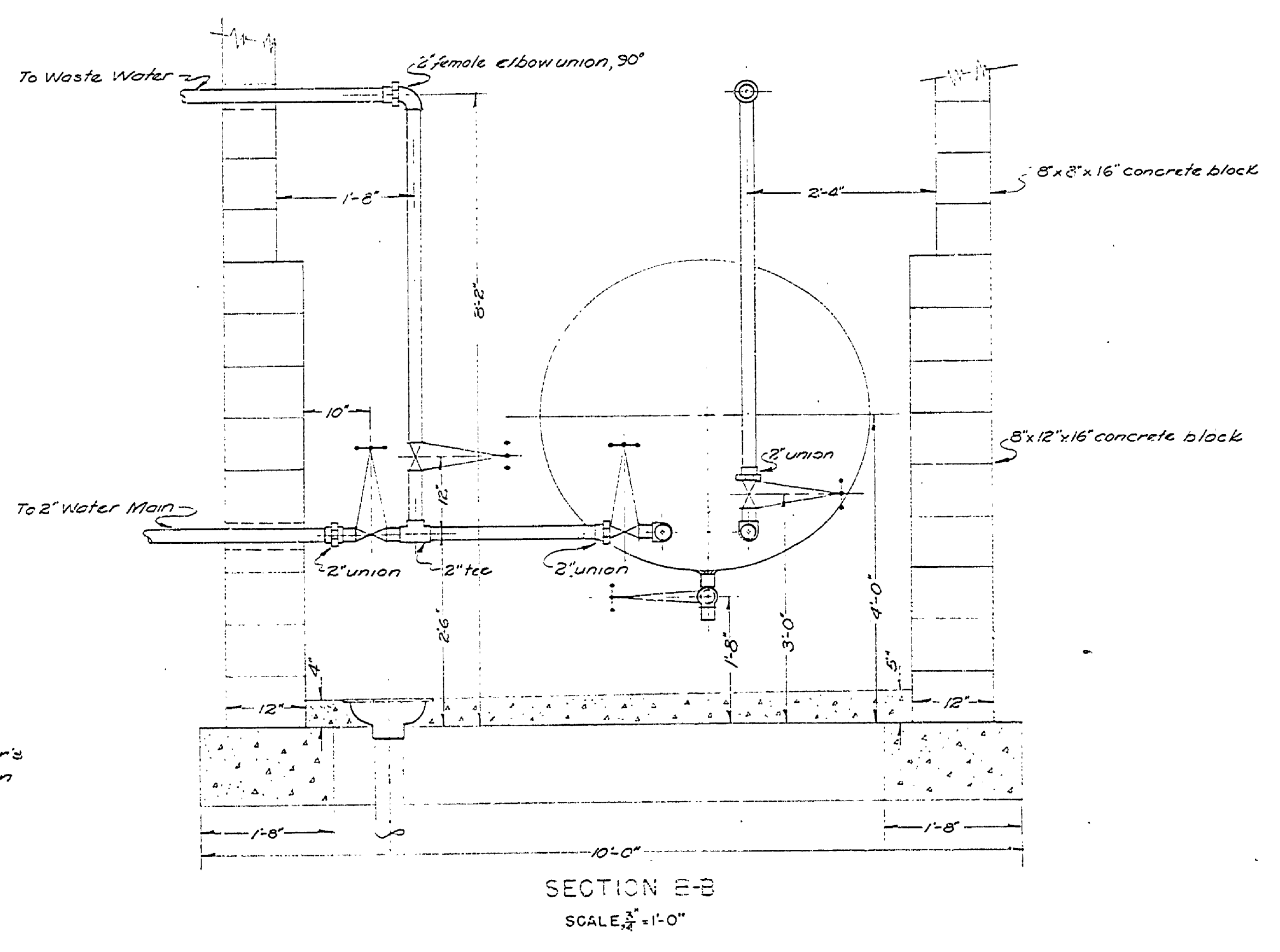
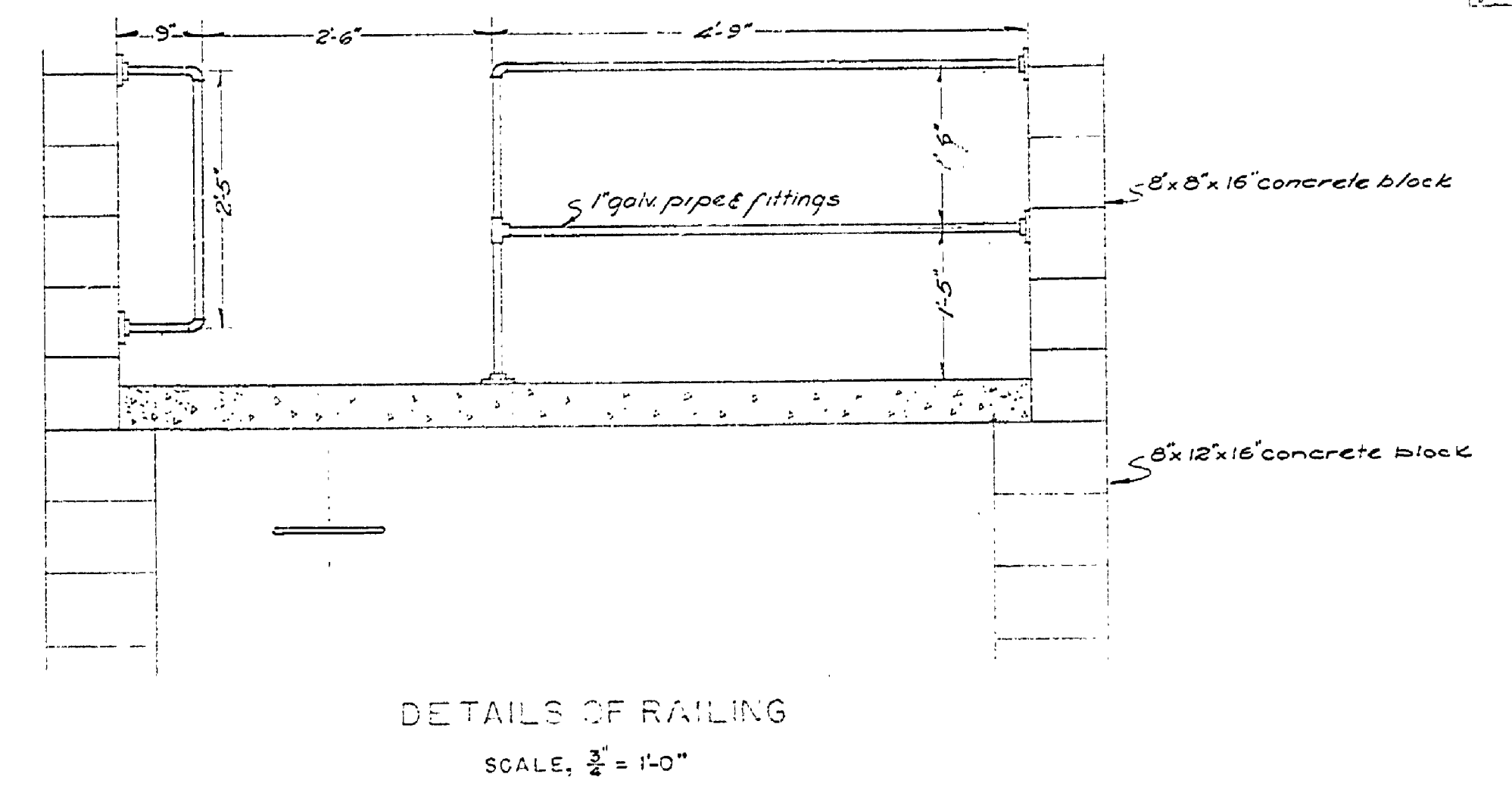
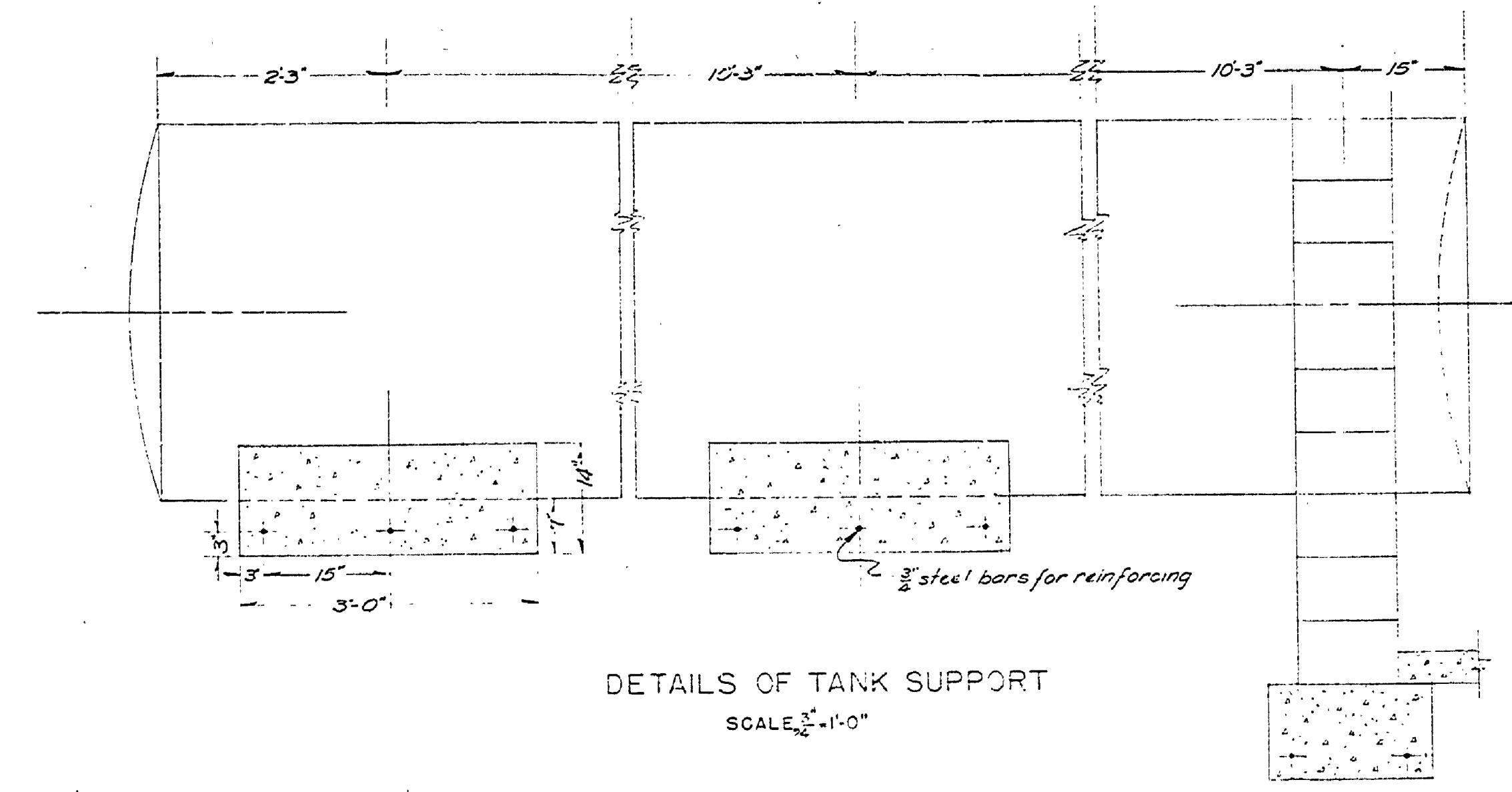


REVIEWED BY SECTIONS		APPROVED BY		REVISIONS	
DATE	BY	DATE	BY	NO.	DATE
11/20/11	W. J. Kelly	11/20/11	W. J. Kelly	1	
10/02/09	W. J. Kelly			2	
11/20/11	W. J. Kelly			3	
11/20/11	W. J. Kelly			4	
11/20/11	W. J. Kelly			5	
11/20/11	W. J. Kelly			6	



Note: Size of pump base to be governed by pump ordered, see pump manufacturer's drawings and data for size and location of pump anchor bolts.



MICHIGAN
DEPARTMENT OF CONSERVATION
PARKS AND RECREATION DIVISION

MC LAIN STATE PARK
PUMPHOUSE LAYOUT
SCALE AS SHOWN

SHEET
NO. 1
OF 3

PLAN NO.
E-98