

NO.	DATE	BY	REVISIONS
1			4
2			5
3			6

NO.	DATE	BY
1		
2		
3		

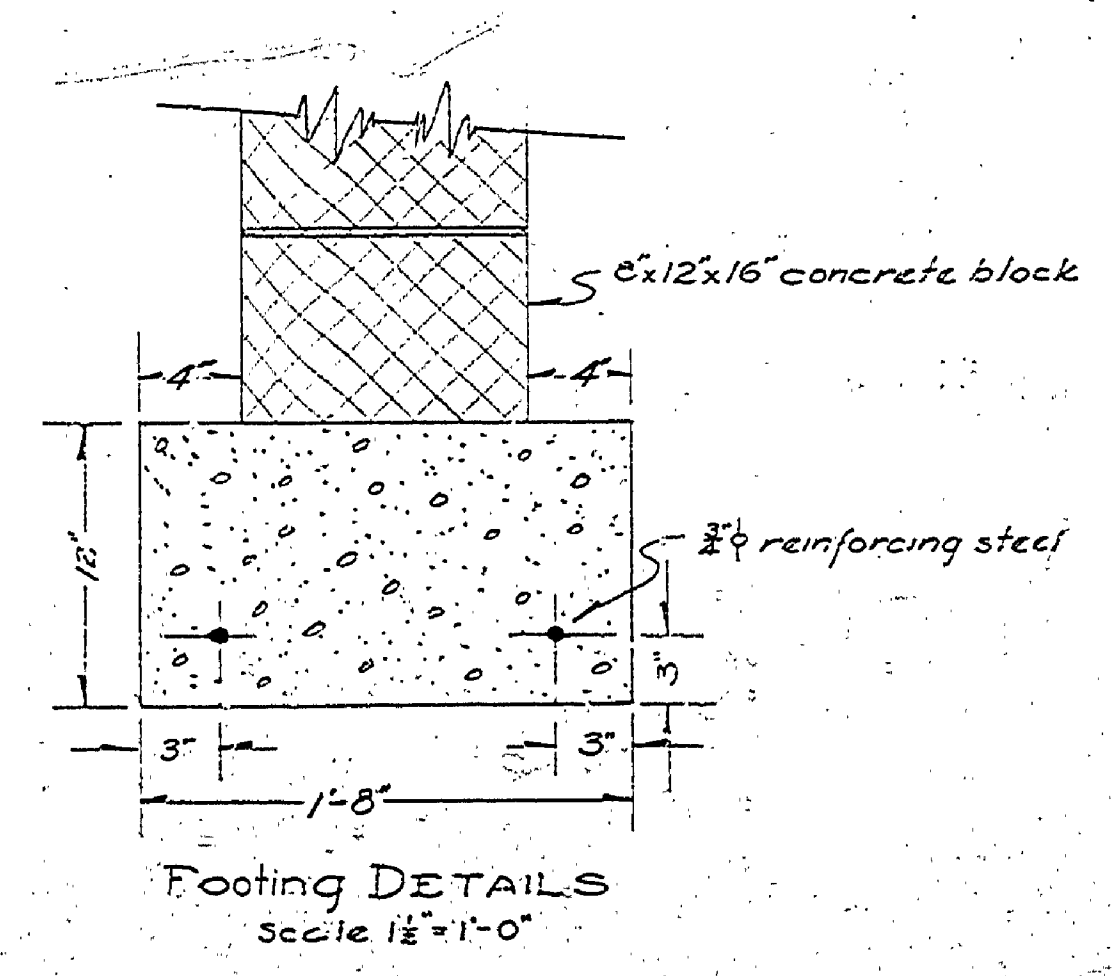
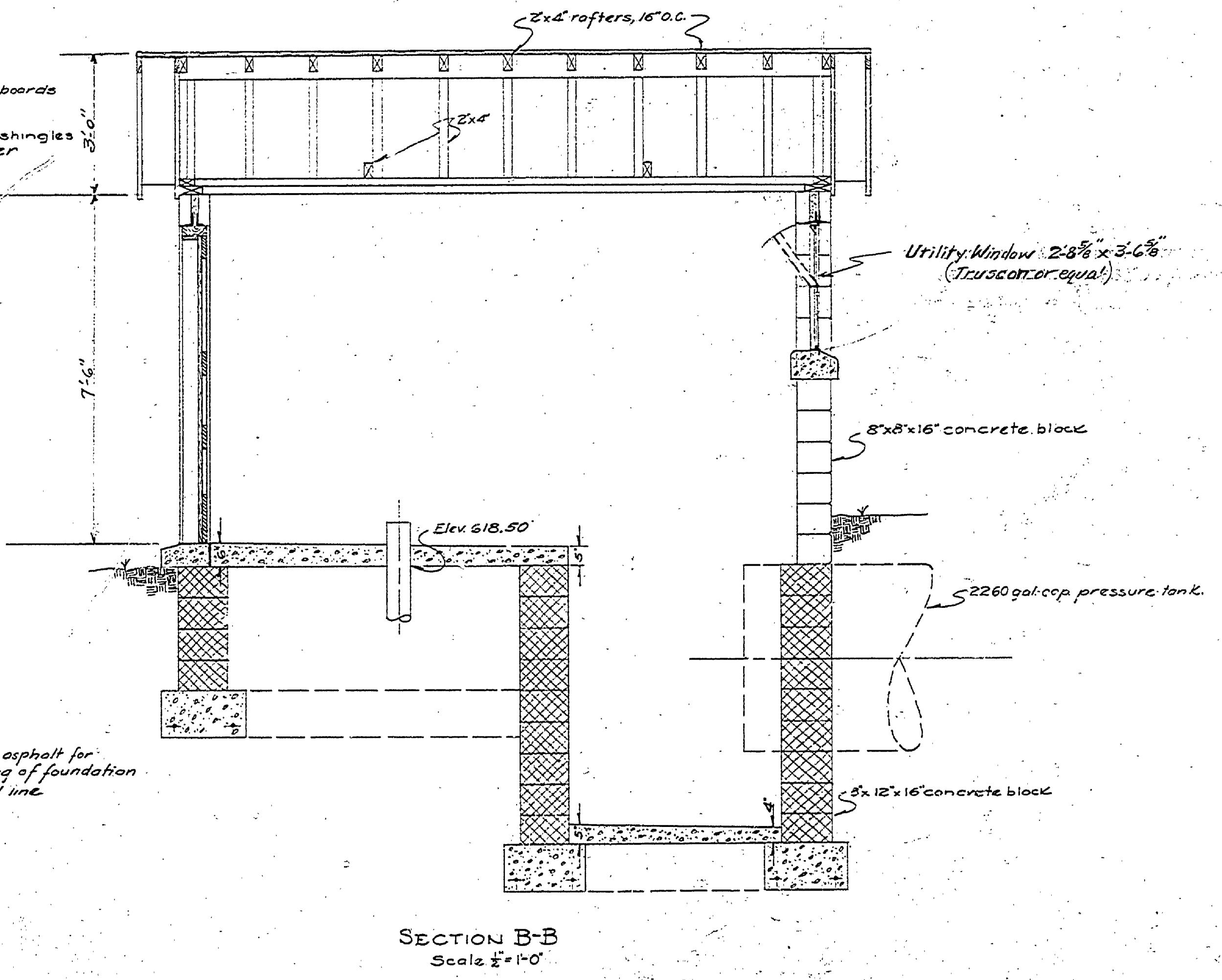
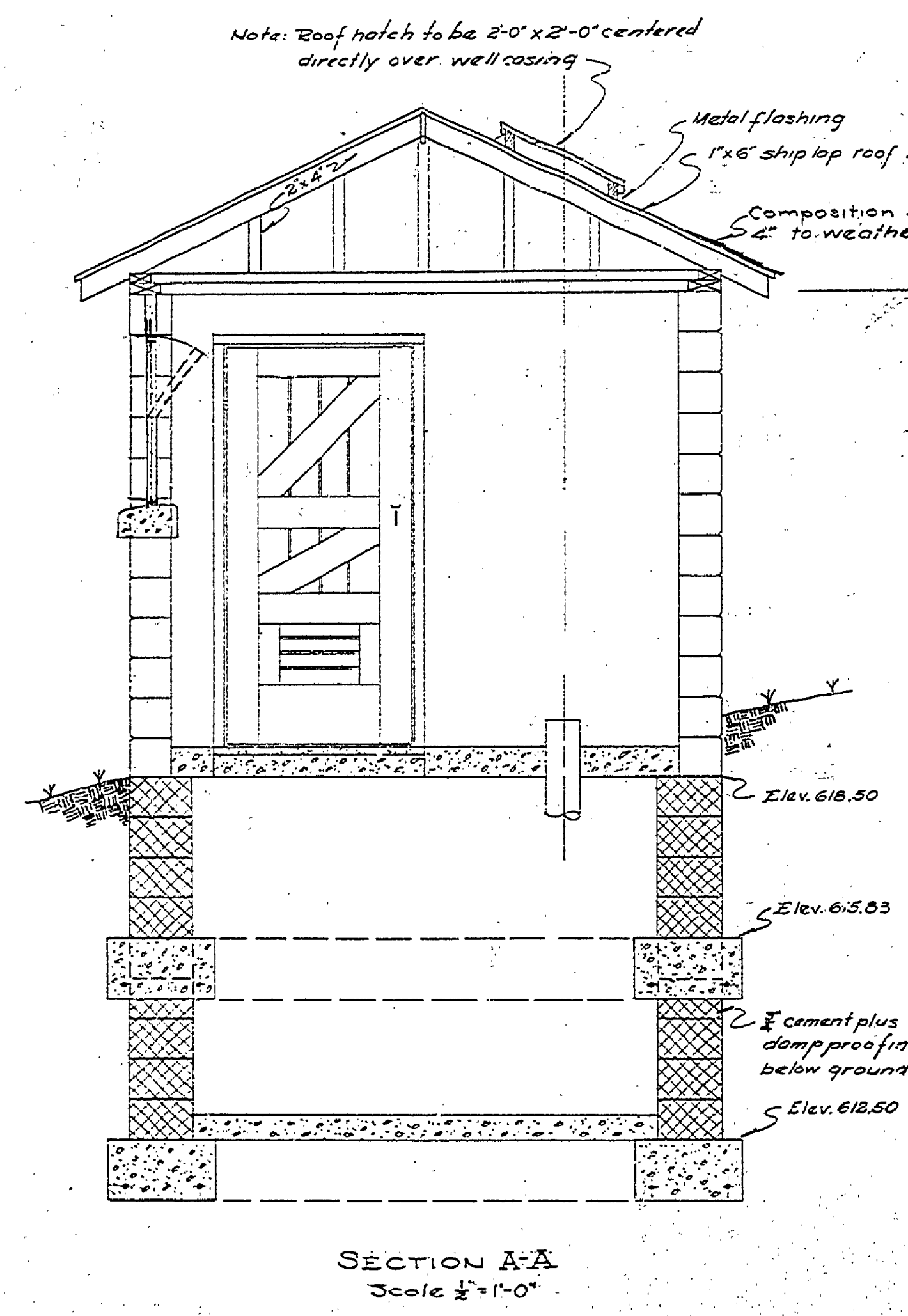
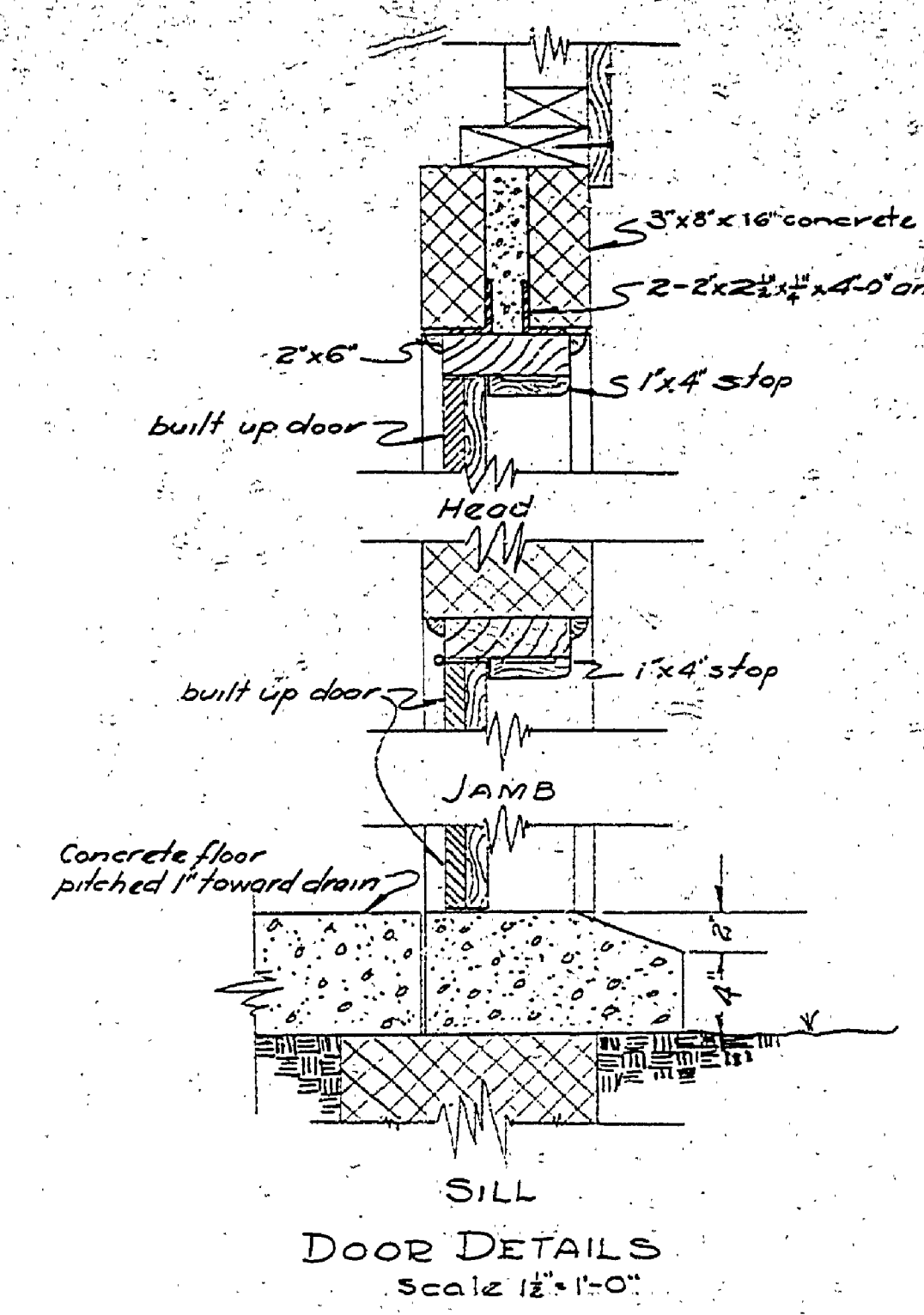
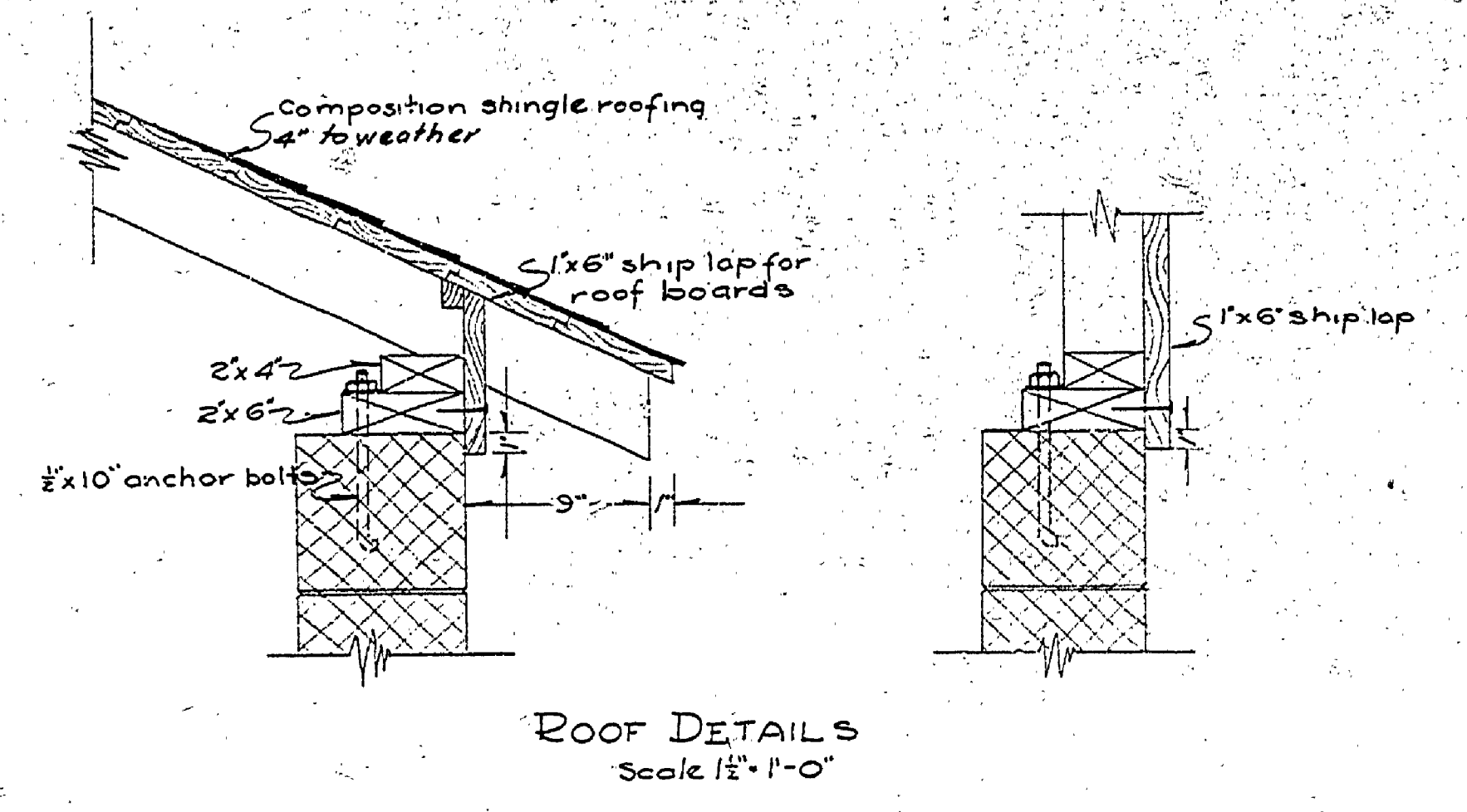
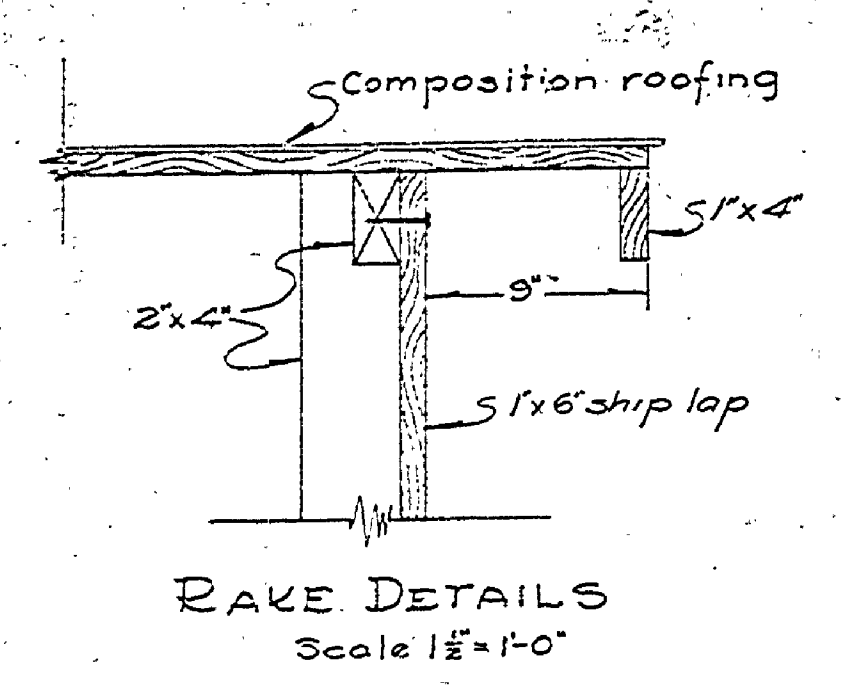
REVIEWED BY SECTIONS	DATE	APPROVED BY	DATE
ARCHITECTURAL	12-1-47		
ENGINEERING	12-2-47		
LANDSCAPE	12-3-47		

DRIVEN BY	CHECKED BY	DATE
BY	BY	
BY	BY	

REVIEWED BY SECTIONS	DATE	APPROVED BY	DATE
ARCHITECTURAL	12-1-47		
ENGINEERING	12-2-47		
LANDSCAPE	12-3-47		

NO.	DATE	BY
1		
2		
3		

NO.	DATE	BY
1		
2		
3		



MICHIGAN
DEPARTMENT OF CONSERVATION
PARKS AND RECREATION DIVISION

MC LAIN STATE PARK
RUMPHOUSE LAYOUT
SCALE AS SHOWN

SHEET
NO. 3
OF 3

PLAN NO.
E-98 REV.