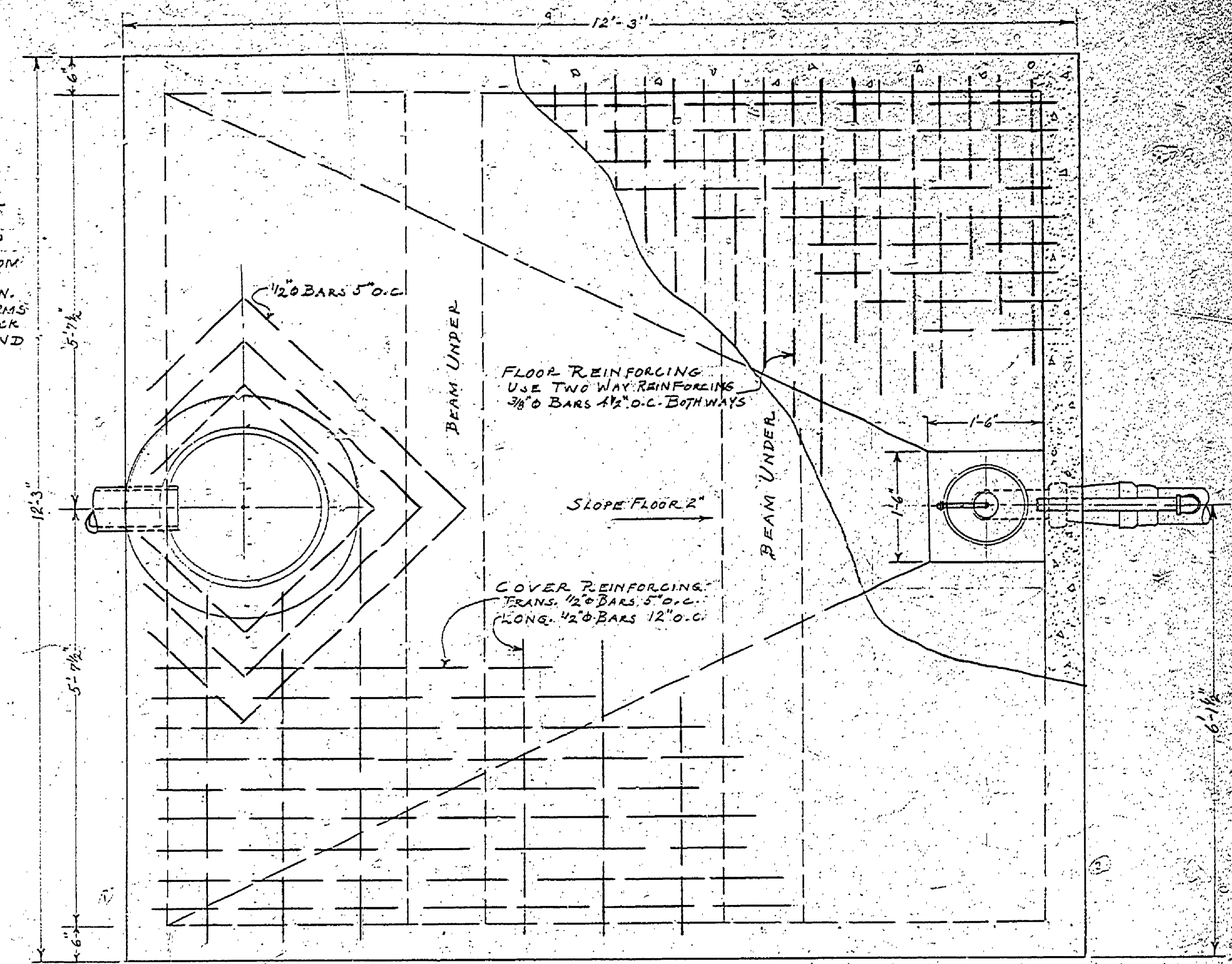
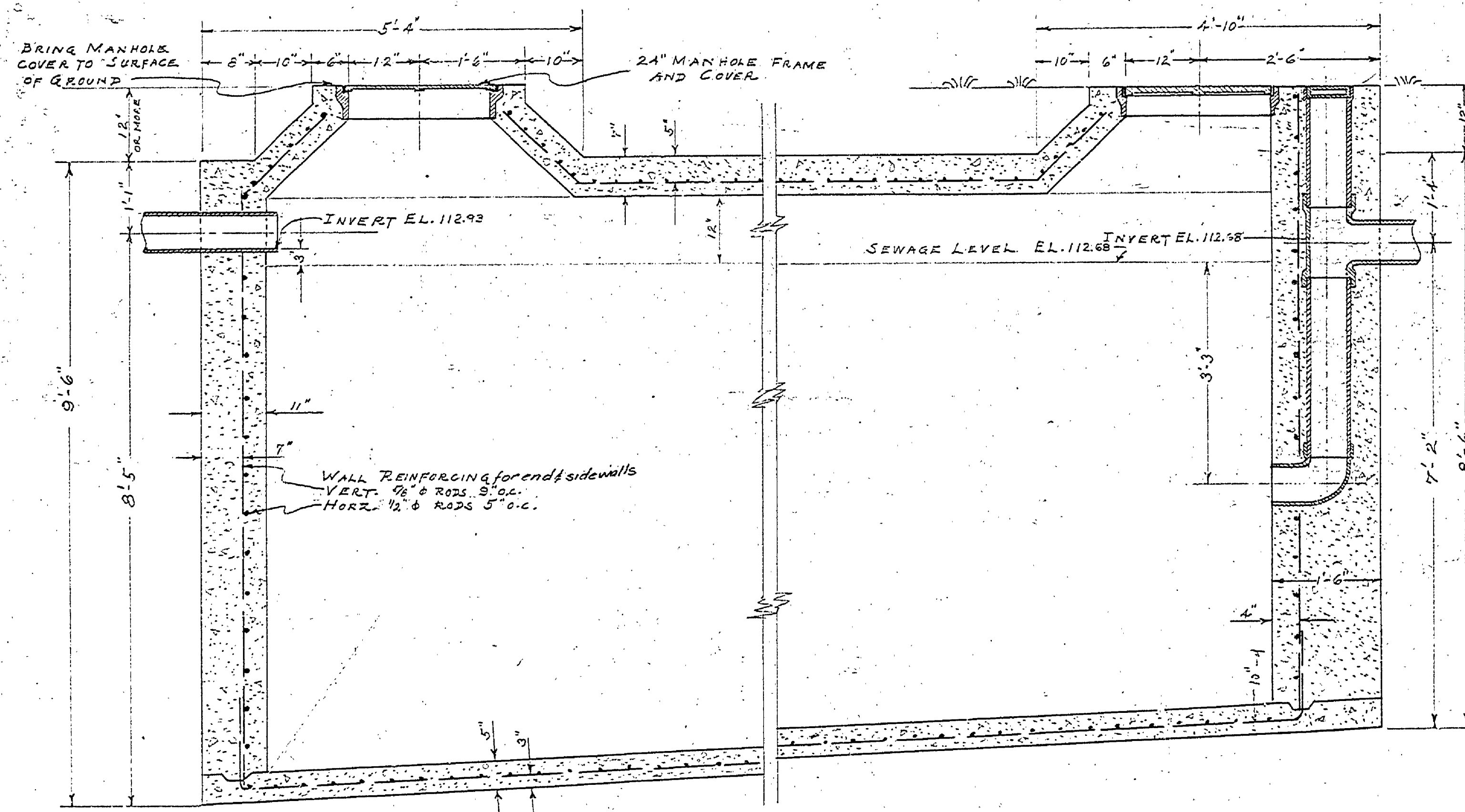


PLAN OF SEPTIC TANK

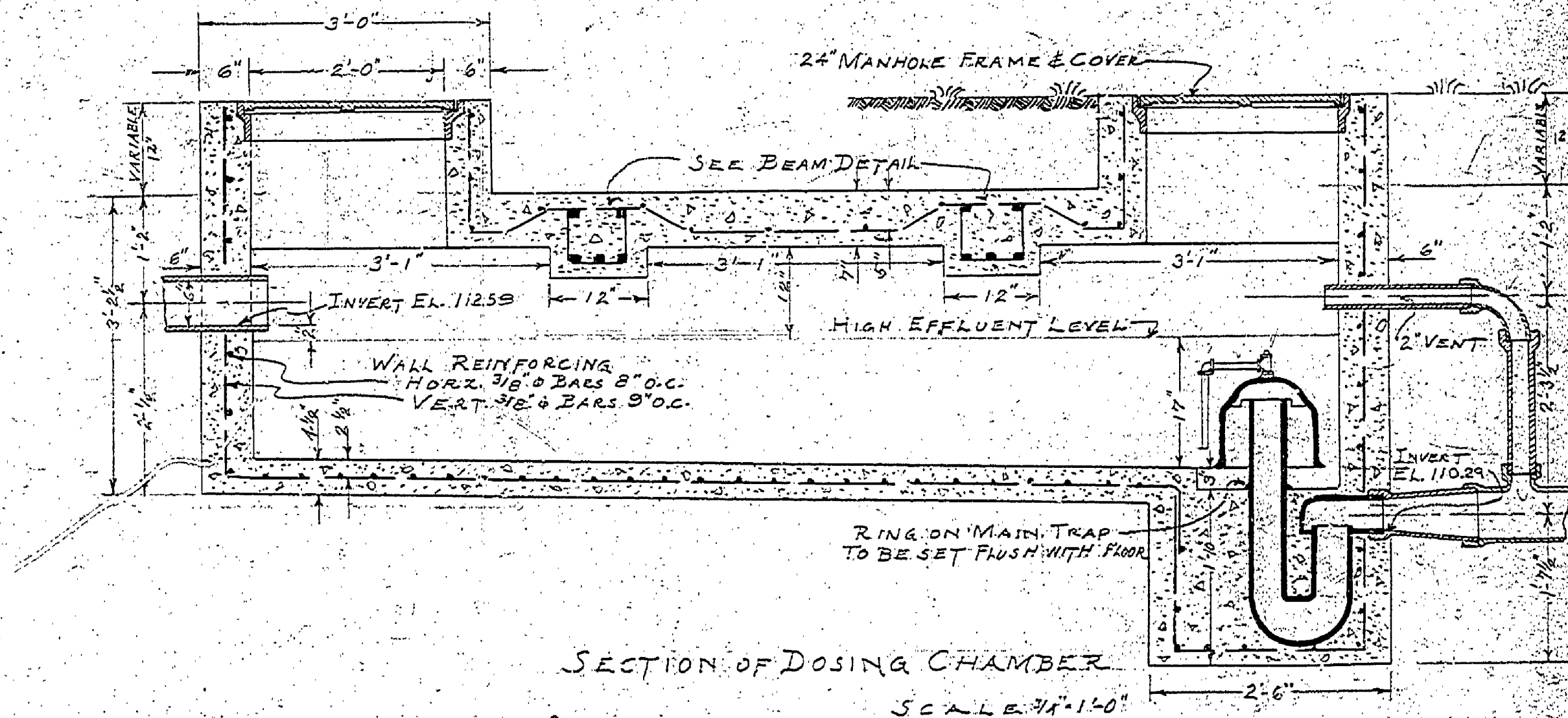
CONCRETE SPECIFICATIONS  
 THE CONCRETE MIX SHALL CONSIST OF  
 1 SACK OF CEMENT, 2.25 CU FT. OF FINE  
 AGGREGATE, 1 CU FT. OF COARSE AGGREGATE,  
 AND ENOUGH WATER TO MAKE A WORKABLE  
 MIX, BUT NOT TO EXCEED 8 GALLONS PER SACK  
 OF CEMENT, 5 CU FT. OF BANK-RUN AGGREGATE,  
 AND ENOUGH WATER TO MAKE A WORKABLE MIX,  
 BUT NOT TO EXCEED 6 GALLONS.  
 THE AGGREGATE SHALL BE CLEAN, FREE FROM  
 SILT AND CLAY, AND SHALL ALL PASS A 1" SCREEN.  
 TIME OF MIXING SHALL NOT BE LESS THAN 1 1/2 MIN.  
 THE CONCRETE SHALL BE PLACED IN THE FORMS  
 IN HORIZONTAL LAYERS, NOT OVER 2 FEET THICK,  
 AND THOROUGHLY SPADED ALONG THE FORMS AND  
 AROUND THE REINFORCING STEEL.



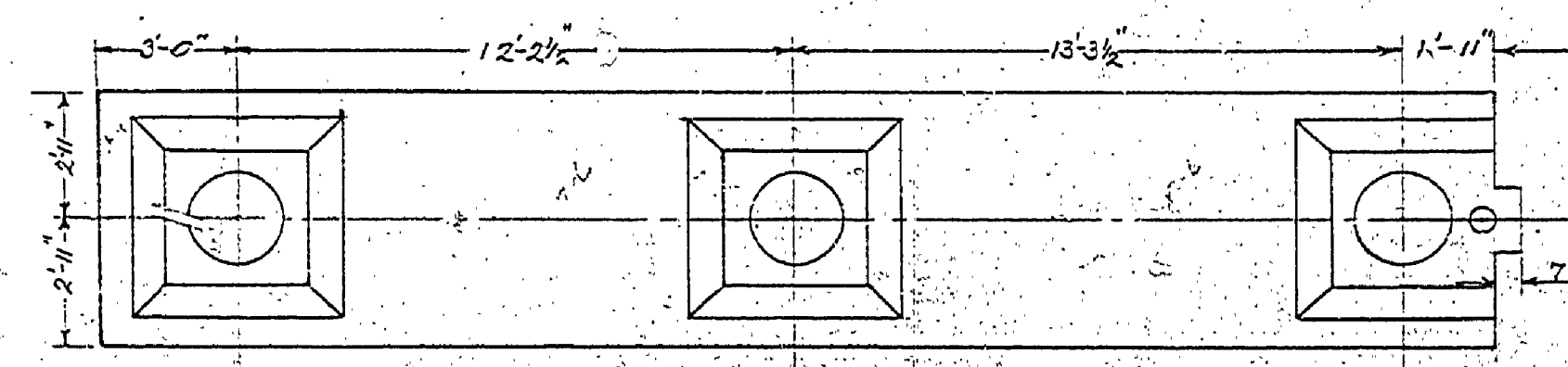
PLAN OF DOSING CHAMBER  
 SCALE 3/4" = 1'-0"



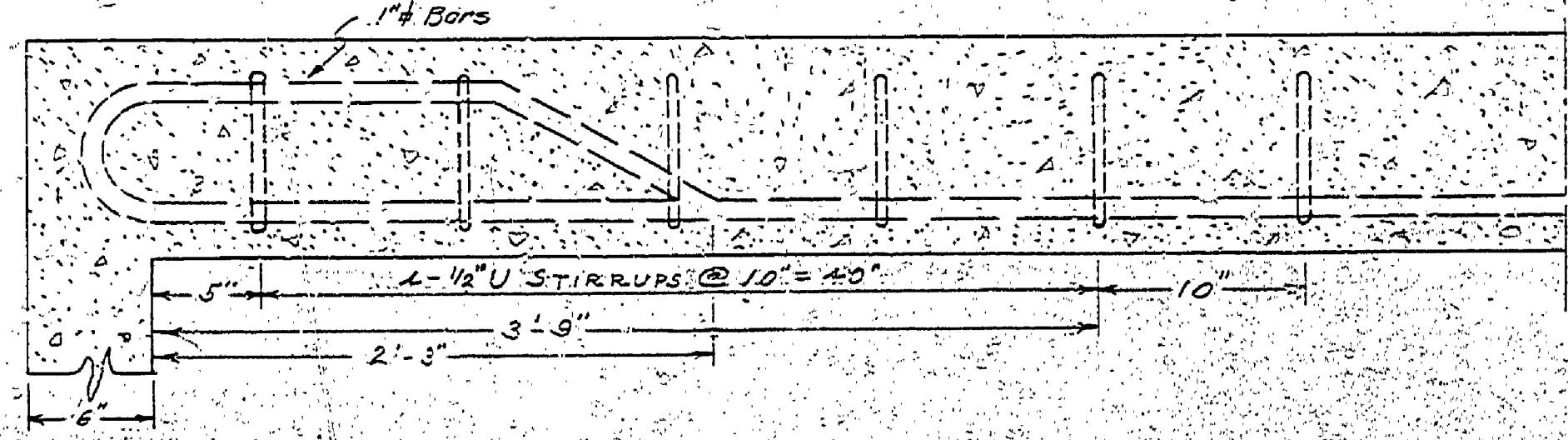
SECTION OF SEPTIC TANK  
 SCALE 1/2" = 1'-0"



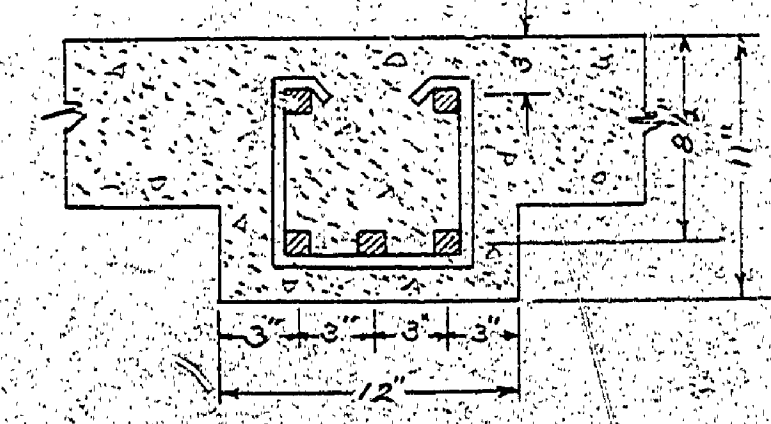
SECTION OF DOSING CHAMBER  
 SCALE 3/4" = 1'-0"



PLAN OF SEPTIC TANK COVER  
 SCALE 1/2" = 1'-0"



HALF ELEVATION BEAM DETAIL  
 SCALE 1/2" = 1'-0"



SECTION

MICHIGAN DEPARTMENT OF CONSERVATION STATE PARKS DIVISION	
DESIGNED BY: MGLAIN STATE PARK	DATE: 11/28/54
DRAWN BY: J. S. RAY	SCALE: AS SHOWN
CHECKED BY: J. S. RAY	DATE: 11/28/54
PREPARED AND APPROVED BY: JOHN S. RAY	DATE: 11/28/54
APPROVED BY: JOHN S. RAY	

66-11