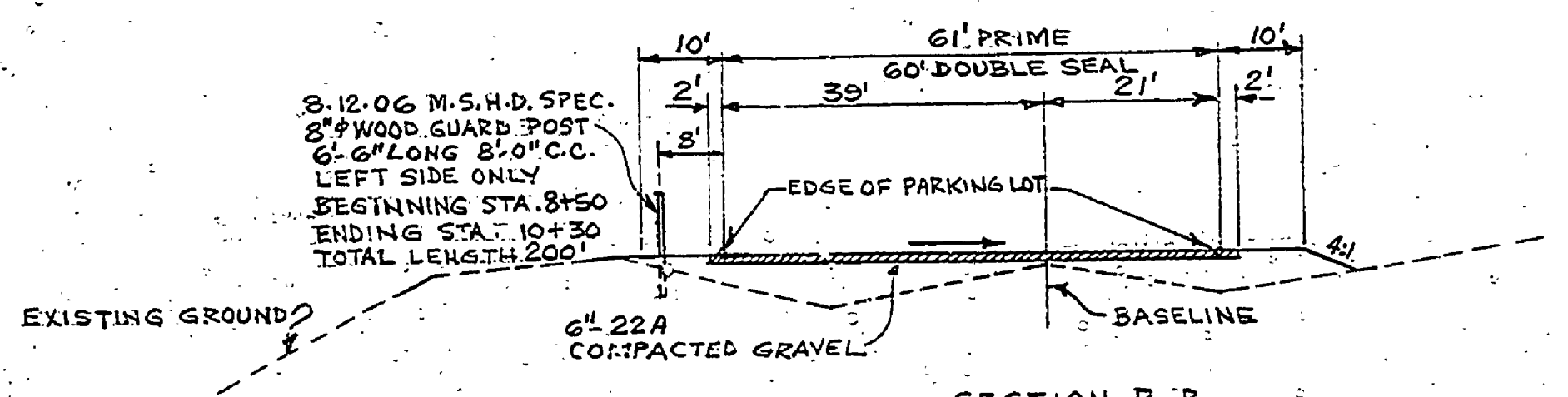
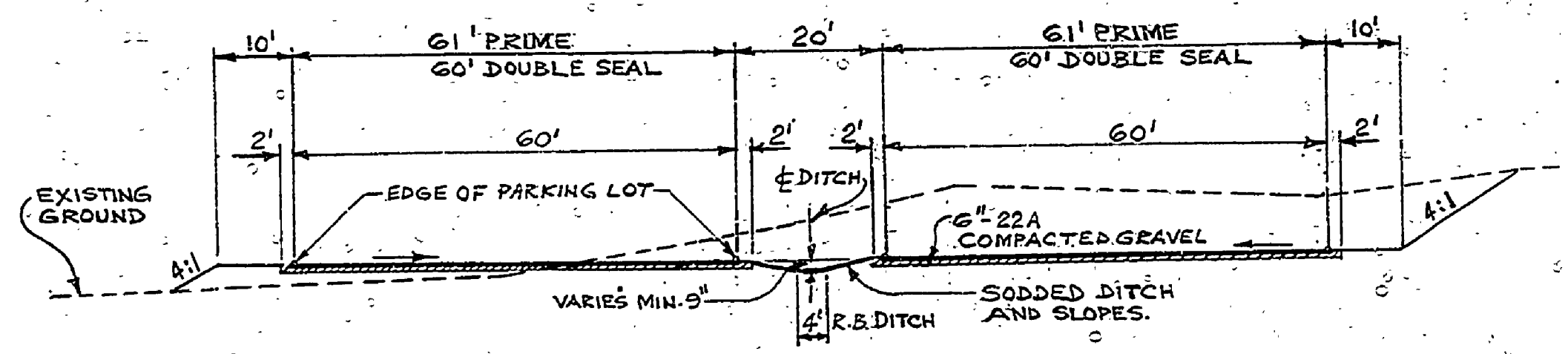
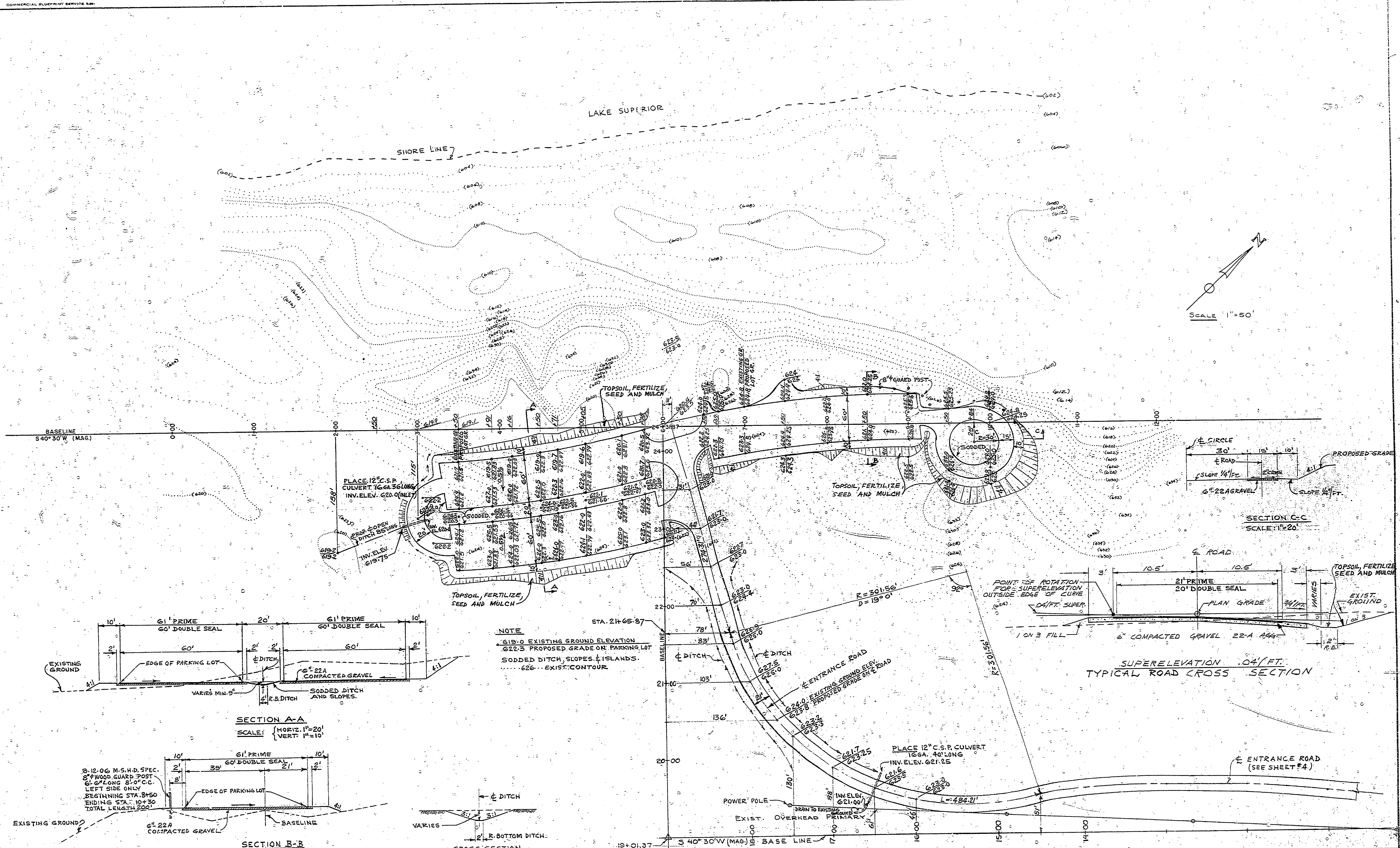
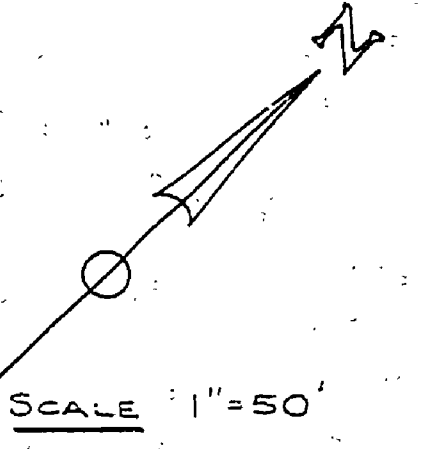
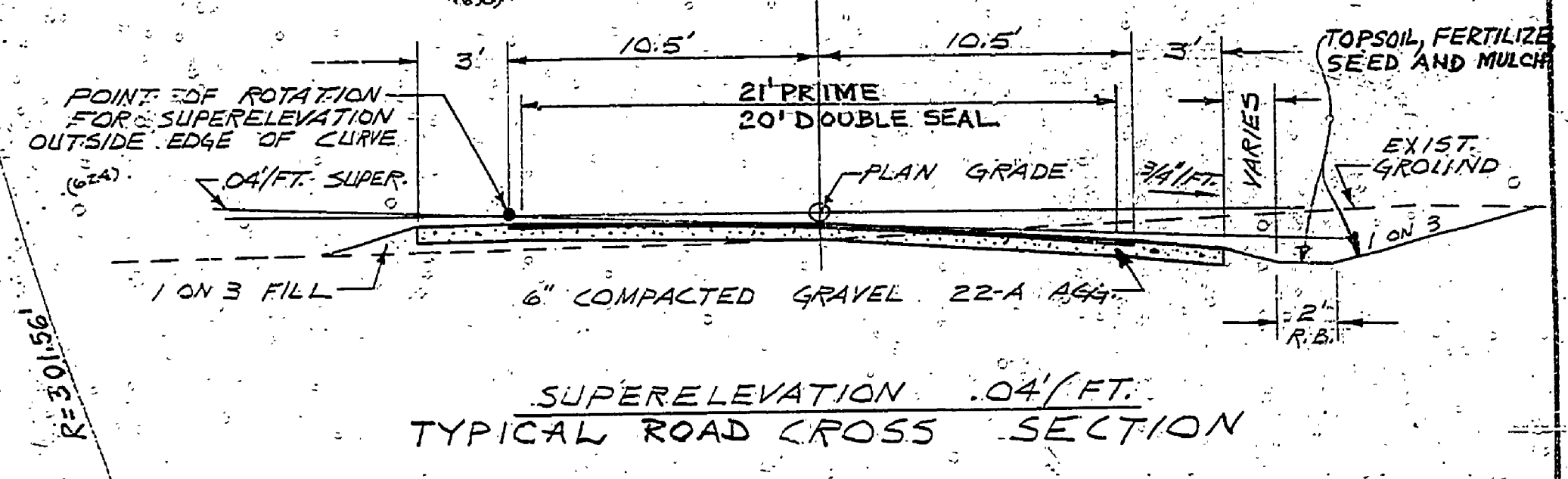


LAKE SUPERIOR

SHORE LINE



NOTE
 619.0 EXISTING GROUND ELEVATION
 622.5 PROPOSED GRADE ON PARKING LOT
 SODDED DITCH, SLOPES & ISLANDS
 626... EXIST. CONTOUR



SURVEYED BY D. BISSELL		5-70		DRAWN BY B. BOYCE		8-70		NO.		DATE		BY		REVISIONS		MICHIGAN DEPARTMENT OF NATURAL RESOURCES		PARKING LOT AND ENTRANCE ROAD GRADING PLAN.		MC LAIN STATE PARK AREA OR PARK		PROJECT NO. 24-1050	
DESIGNED BY A. PETRAVICIUS		8-70		CHECKED BY		DATE		NO.		DATE		BY		REVISIONS		SHEET 3 OF 8		SHEET TITLE		PROJECT		PLAN NO. E-105	