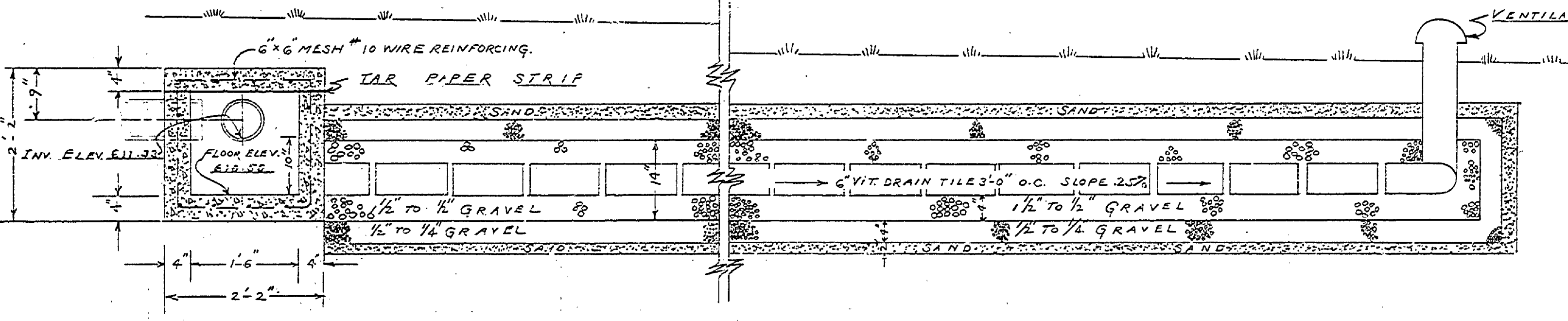
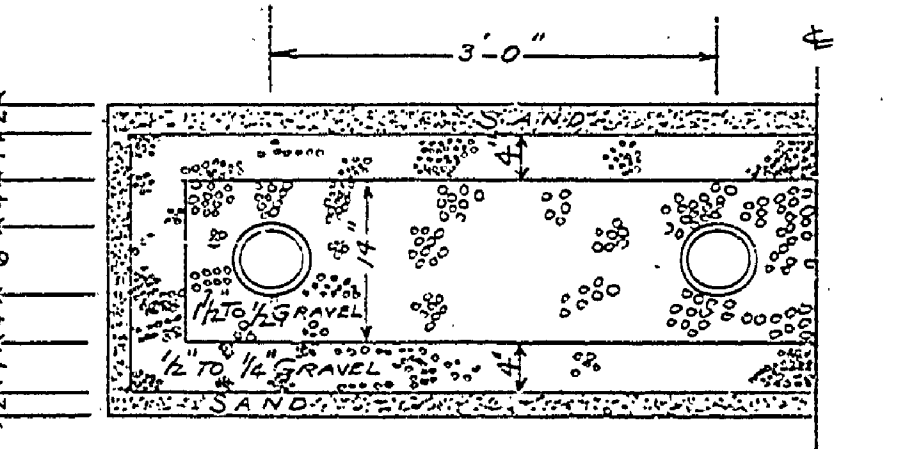


PLAN OF DISPOSAL FIELD
SCALE: 3/8" = 1'-0"

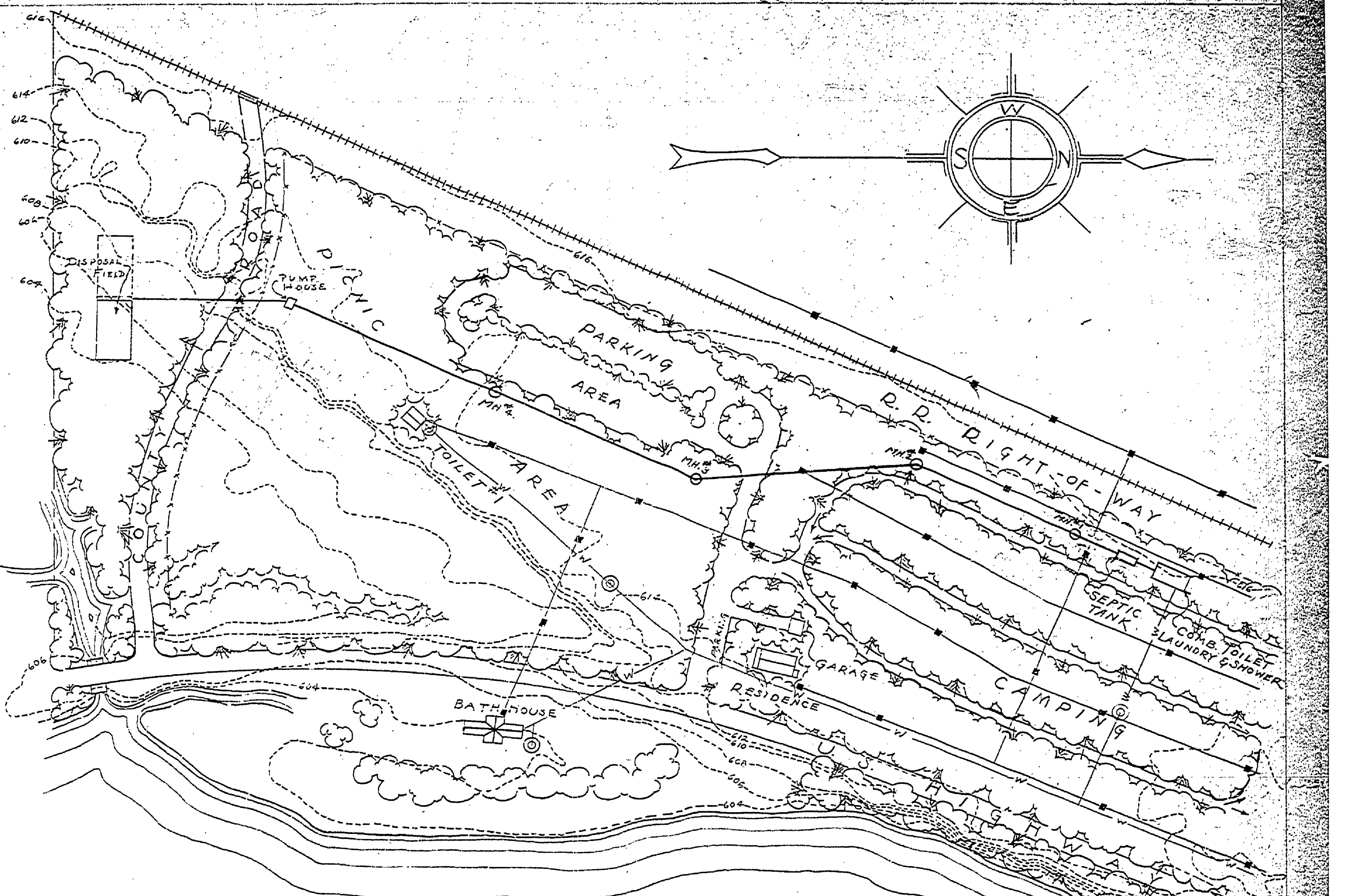


SECTION A-A
SCALE: 3/8" = 1'-0"

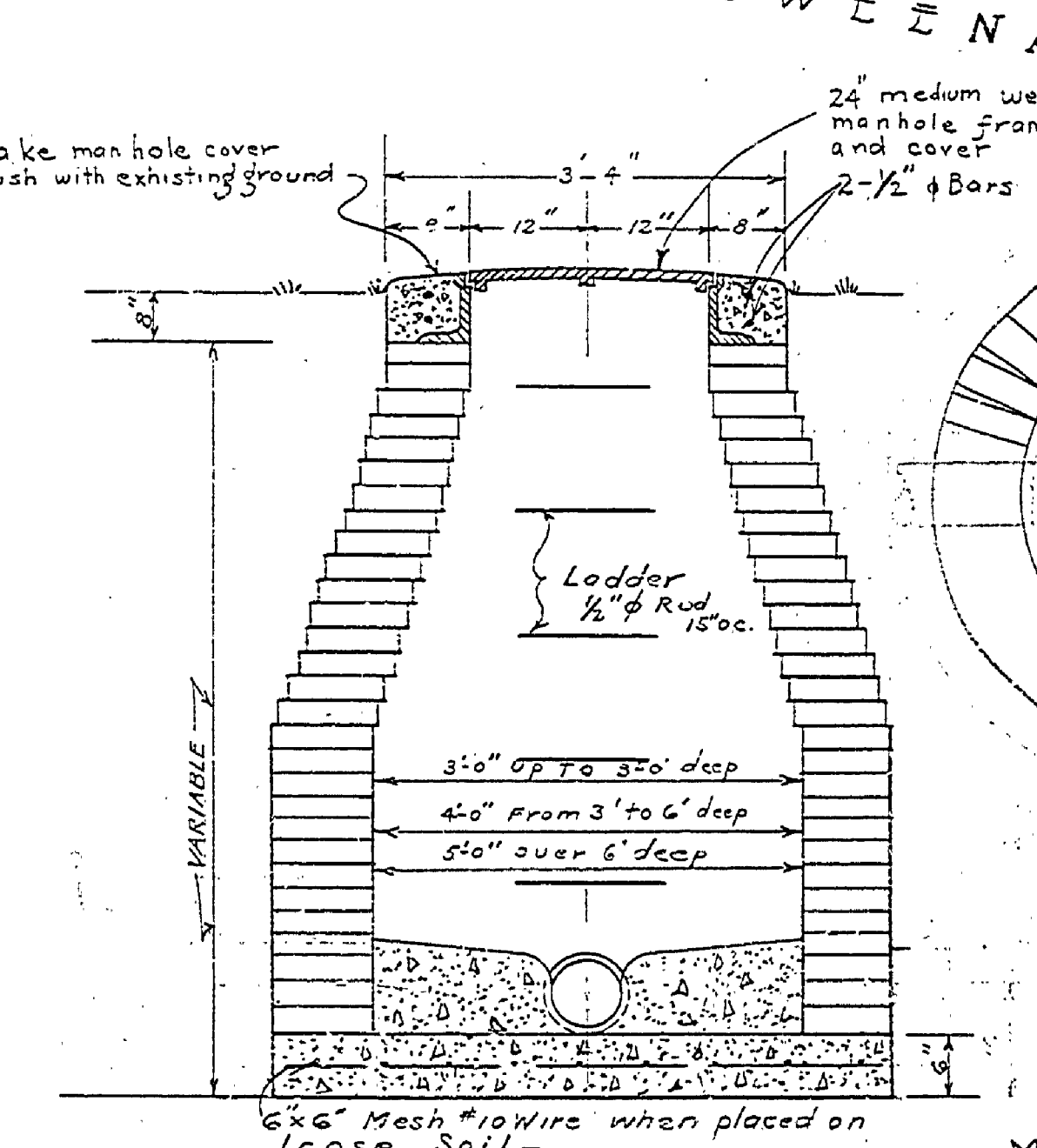
NOTE: REMOVE ALL MUCK AND HARD GROUND FOR A DEPTH OF 3' BELOW DISPOSAL BED AND BACKFILL WITH CLEAN COARSE SAND.



TYPICAL X-SECTION OF FIELD
SCALE: 3/4" = 1'-0"

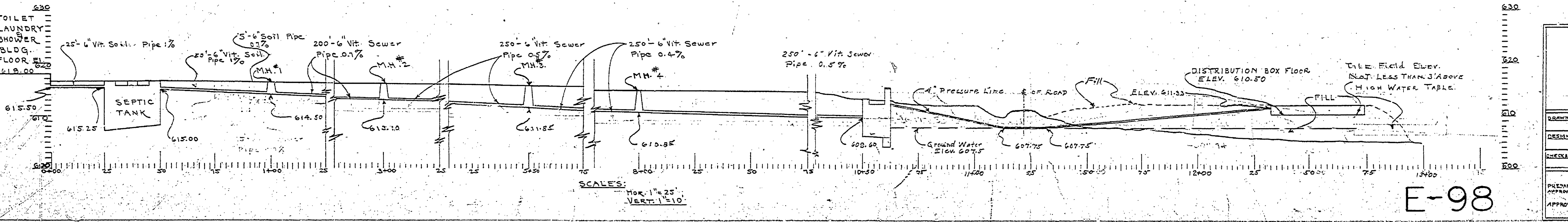


PLOT PLAN
SCALE: 1" = 100'



MANHOLE DETAILS
SCALE: 3/8" = 1'-0"

Michigan Department of Health
Bureau of Engineering
EXAMINED AND APPROVED
FEB 28 1941
John M. Hoyer
DIRECTOR
CONSTRUCTION PERMIT NO. 4164



SCALE: HORIZ. 1" = 25'
VERT. 1" = 10'

MICHIGAN DEPARTMENT OF CONSERVATION
STATE PARKS DIVISION

DESIGNED BY: G.A.S.
DESIGNED BY: H.C.M.
CHECKED BY: J.M.H.

BARAGA STATE PARK
DISPOSAL SYSTEM
TOILET-LAUNDRY & SHOWER BLDG.

PLAN NO. 1074
SCALE AS SHOWN
DATE: FEB 19, 1941

APPROVED BY: J.M.H.
DATE: 2-15-41

E-98