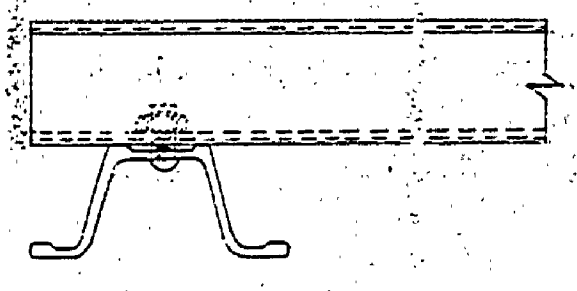
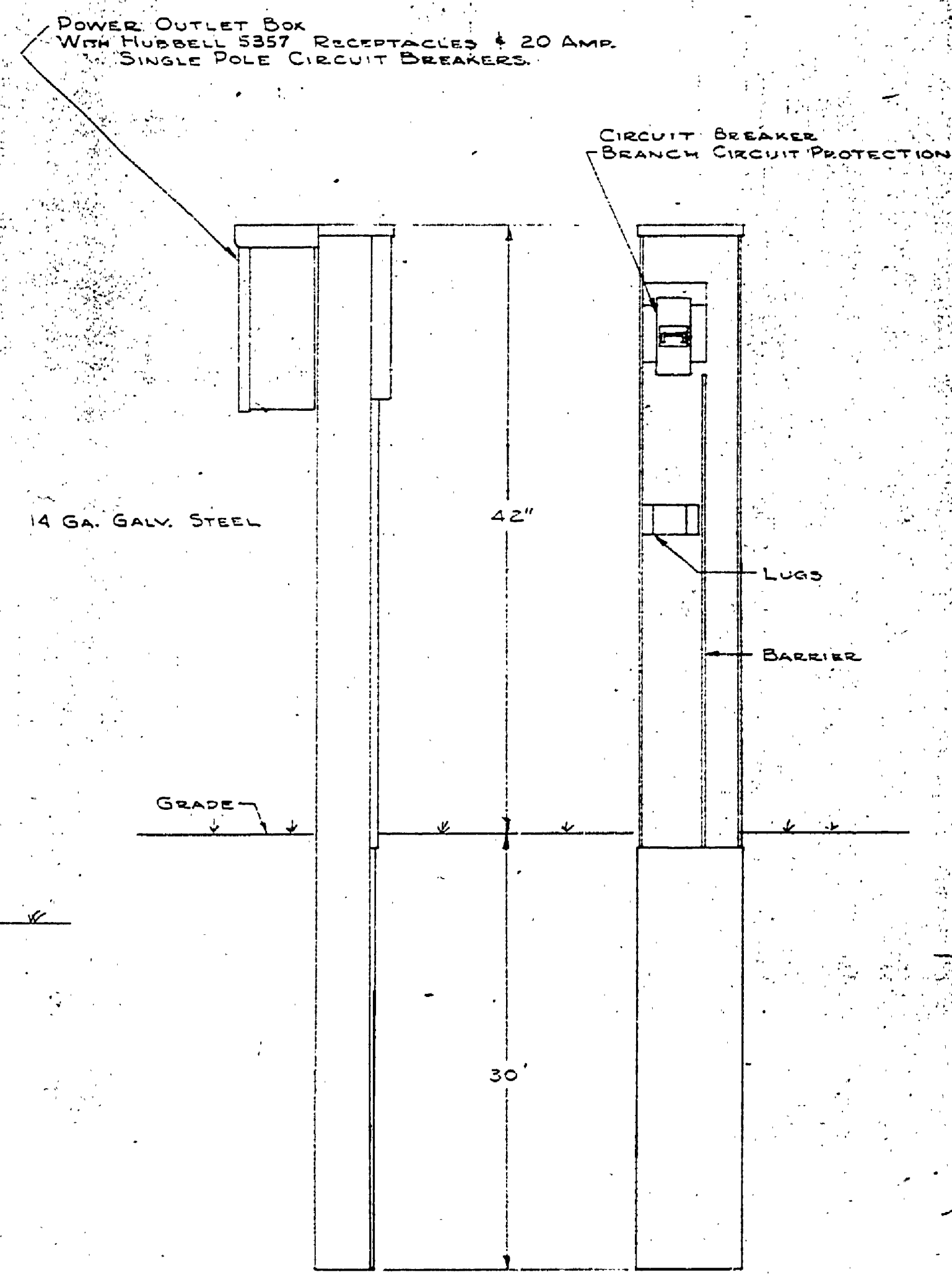


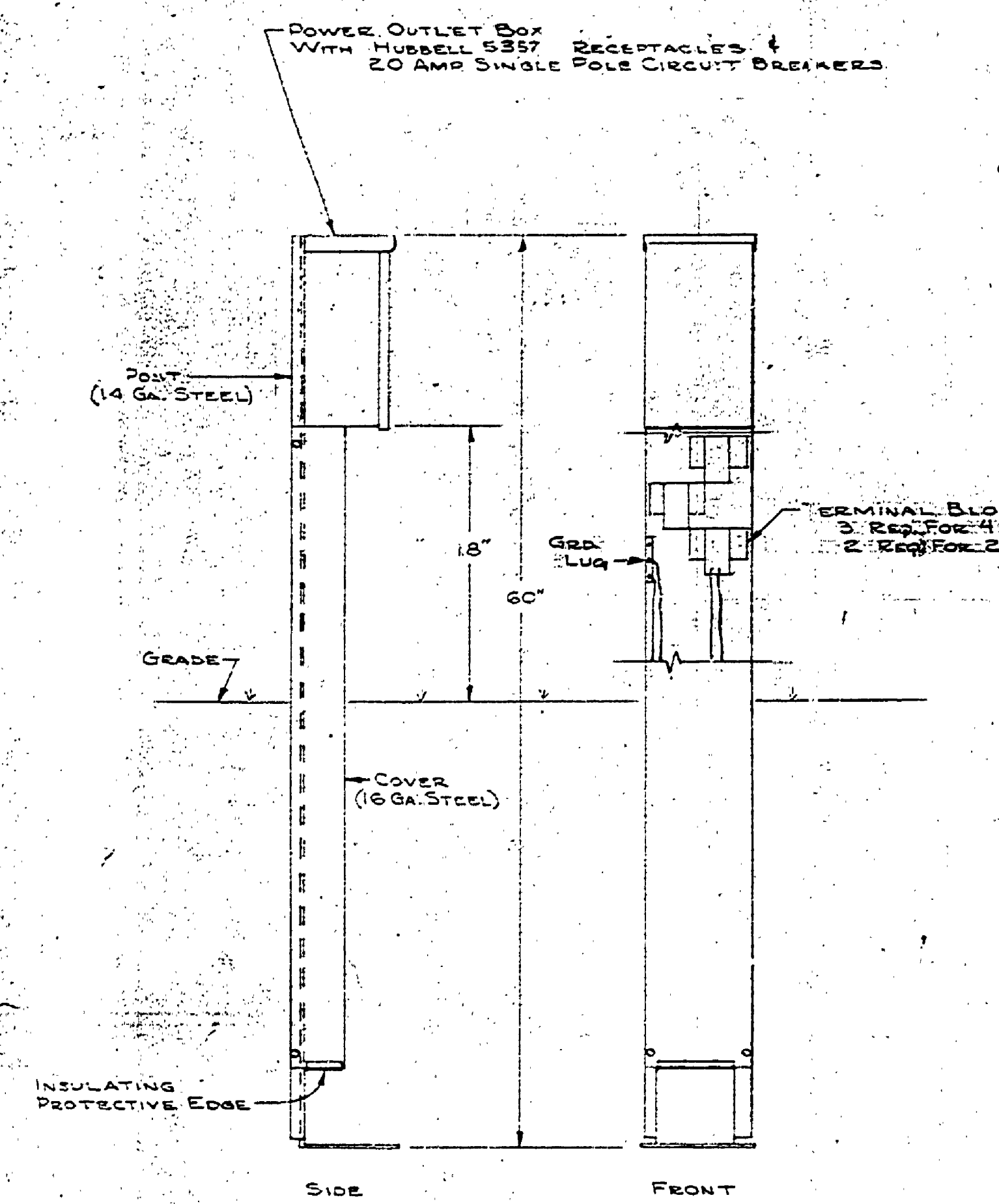
ENTRANCE RACK
 WITH METER SOCKET & CIRCUIT BREAKER PANEL BOARD
 NOTE: GROUND ELECTRICAL SYSTEM AT DISTRIBUTION PANEL BOARD TO NEAREST BURIED WATER PIPE



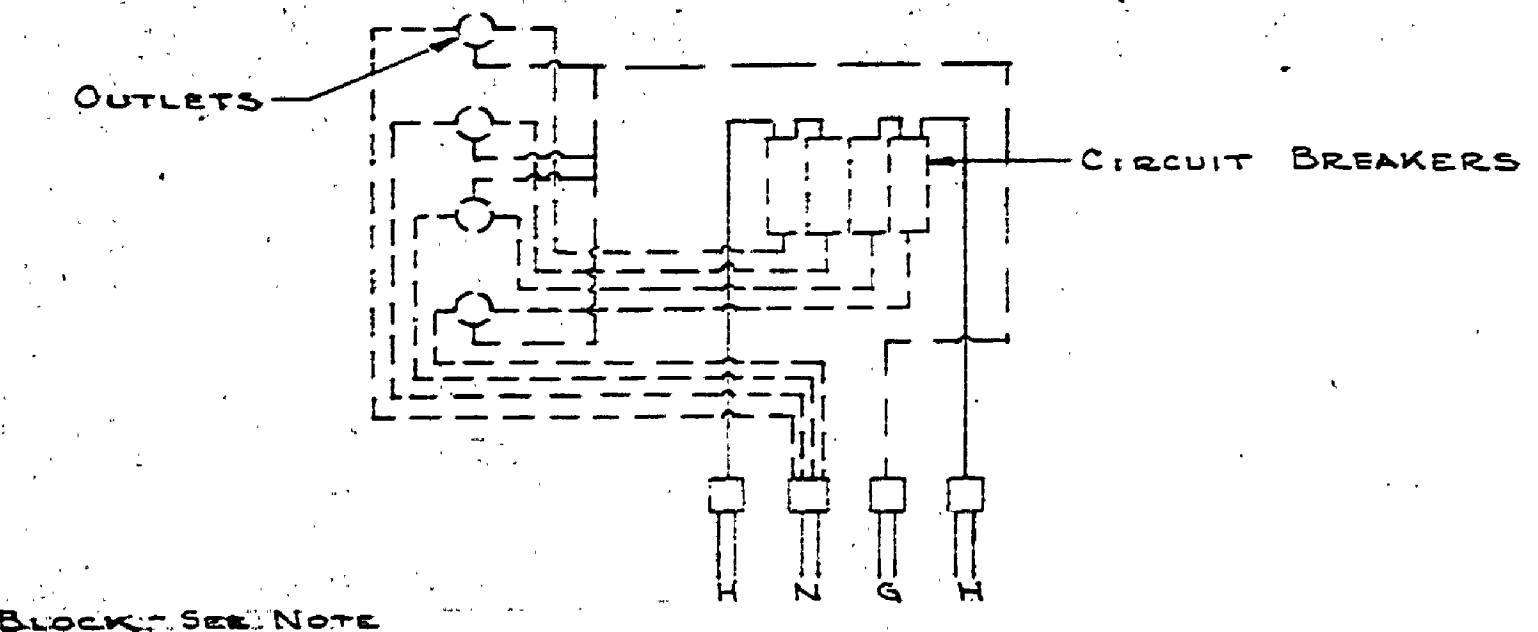
SECTION A-A
 NO SCALE



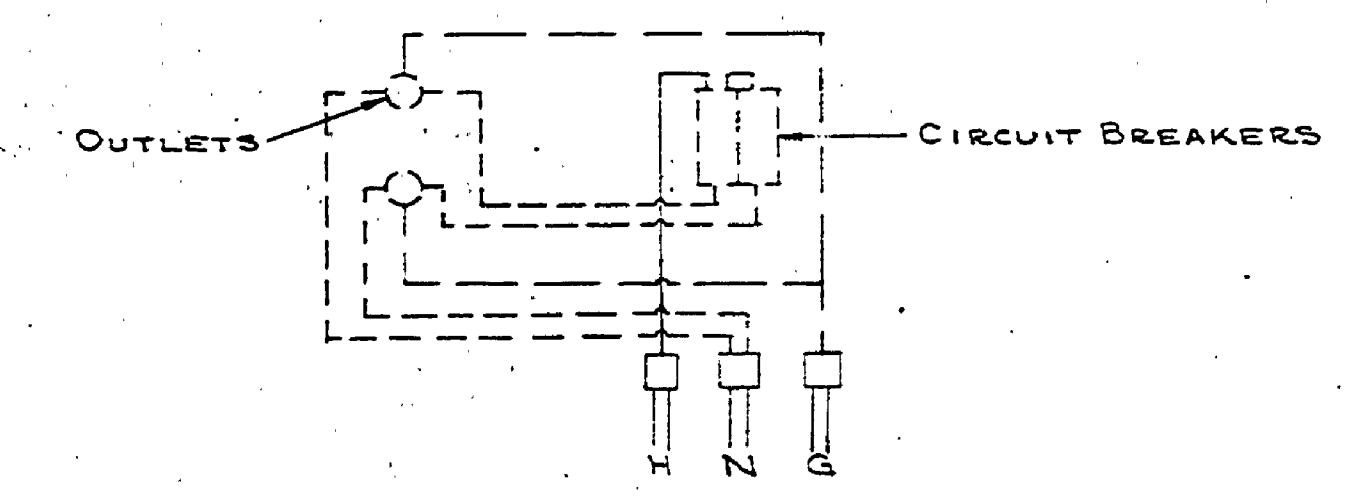
JUNCTION POST
 WITH OUTLET BOX & BRANCH CIRCUIT PROTECTION



MOUNTING POST
 WITH OUTLET BOX



WIRING DIAGRAM
 FOR 3 x 4 OUTLET BOXES



WIRING DIAGRAM
 FOR 2 OUTLET BOX

NOTE: THESE POSTS ARE DESIGNED TO PERMIT LOOPING OF CABLE FROM ONE UNIT TO THE NEXT. SPLICING TO BE DONE IN POST. LUGS ARE PROVIDED TO RECEIVE UP TO #4/0 WIRE. GROUND #6 BARE TO EQUIPMENT GROUND, PROVIDED ON POST.

SURVEYED BY	DRAWN BY J. Ypma & R. Harv	Aug '66	NO. DATE BY	REVISIONS	NO. DATE BY	REVISIONS	MICHIGAN DEPARTMENT OF CONSERVATION	STANDARD PLAN UNDERGROUND SECONDARY FOR CAMPGROUND	SHEET NO. OF	BARAGA STATE PARK
DESIGNED BY W. J. POYET	AUG '66	CHECKED BY	1. 4-15-68 J.Y.	WIRING DIA. REV., TERMINAL BLOCK ARRR	3.				FOR PROJECT NO. PA106-5124-300-053	SHEET 2 OF 2
	DATE		2.		4.					SE-16:4