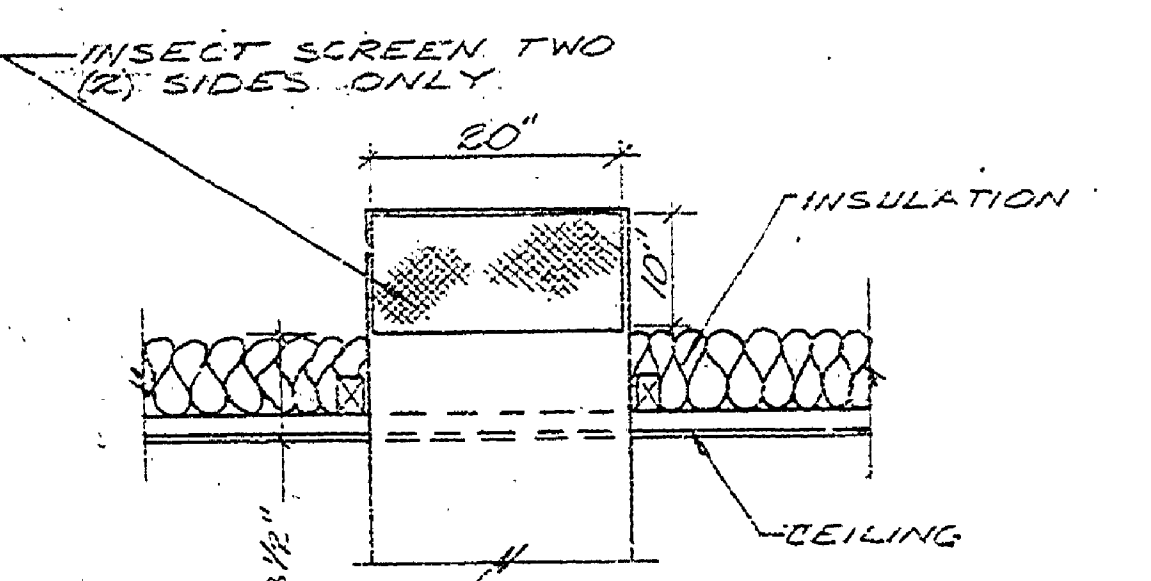
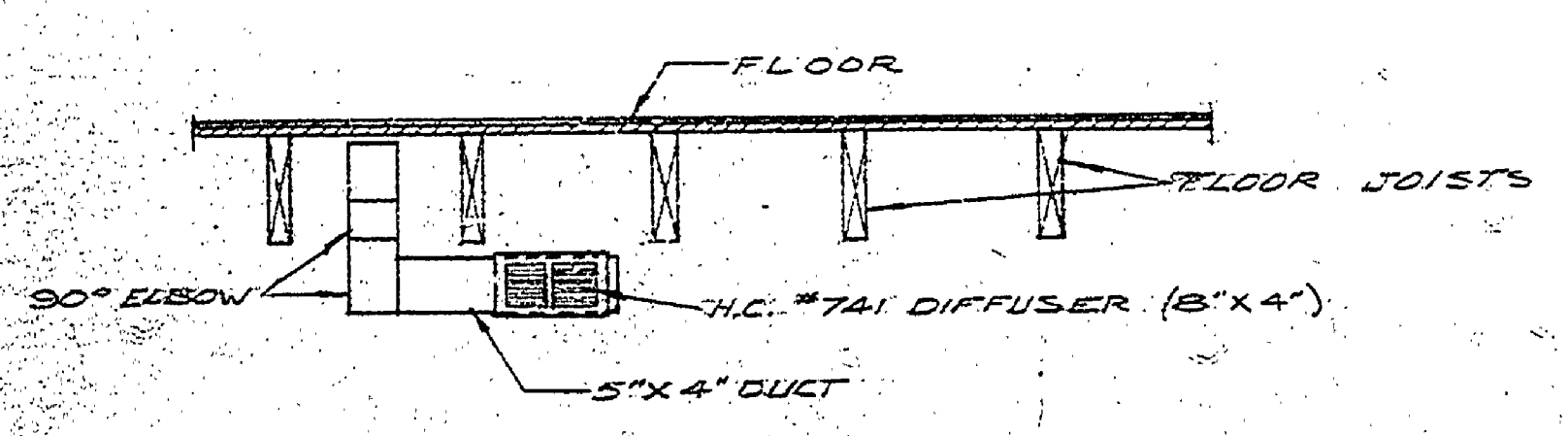


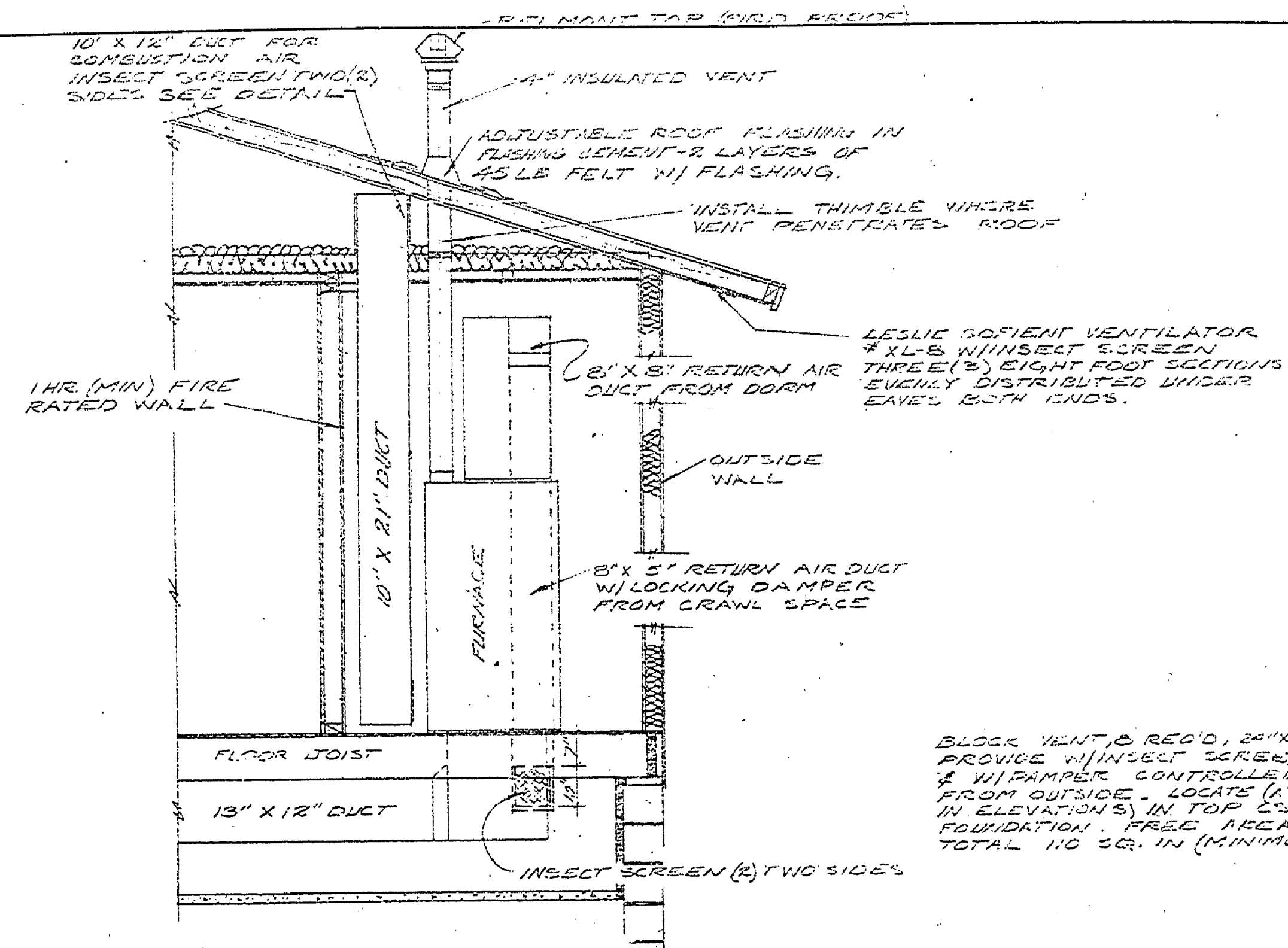
RETURN-AIR PLAN



DETAIL-COMBUSTION AIR INSECT SCREEN CAP 3/4" x 1'-0"



DETAIL-CRAWL SPACE DIFFUSER 3/4" x 1'-0"



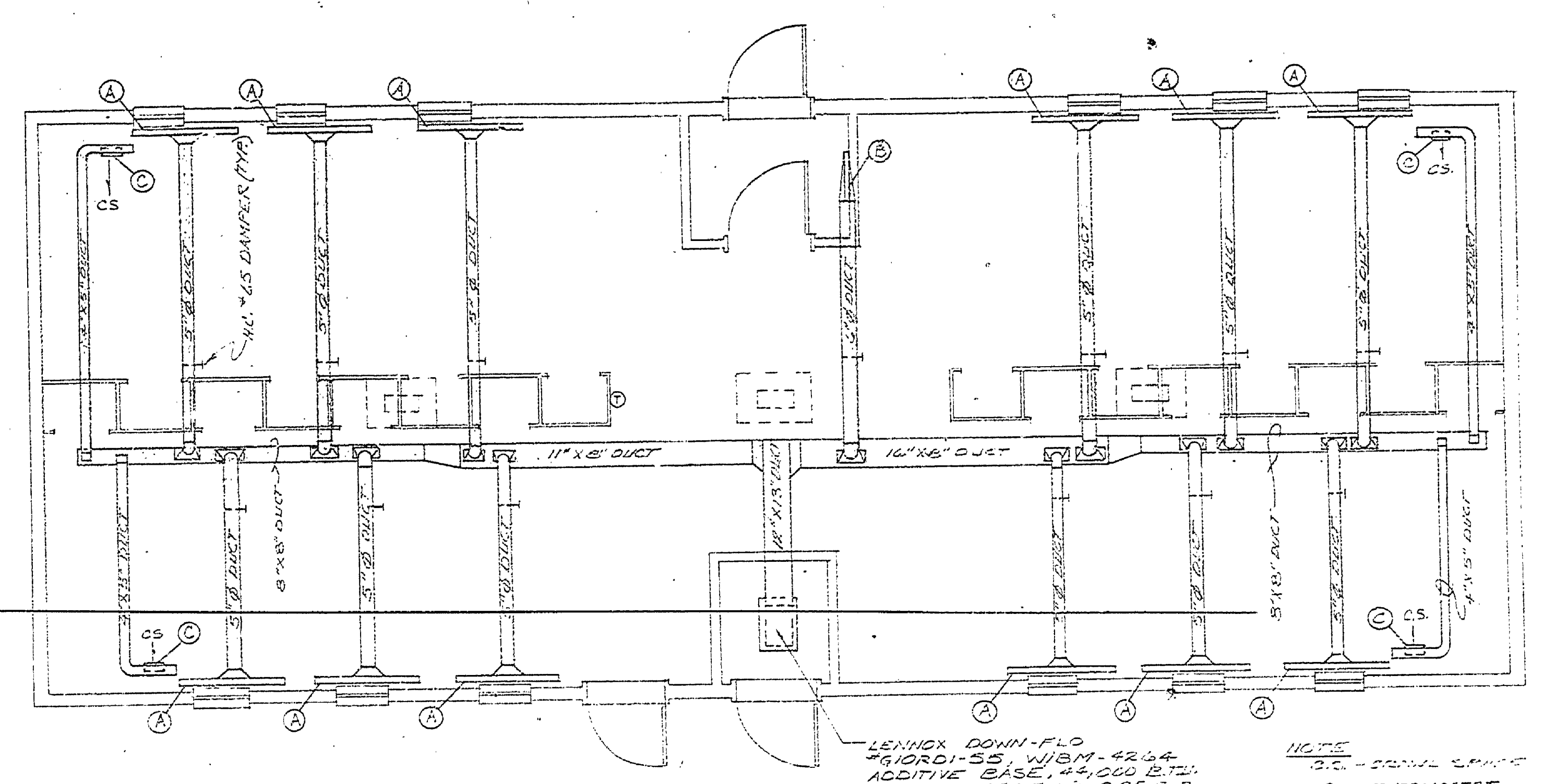
SECTION 1/2" = 1'-0"

100 AMP PANEL FRAME
60 AMP MAIN DISCONNECT
3 POLES NOT INCLUDING MAIN DISCONNECT

1	15	15	2
2	15	15	3
3	20	20	4
4	15		5

CIRCUIT DATA

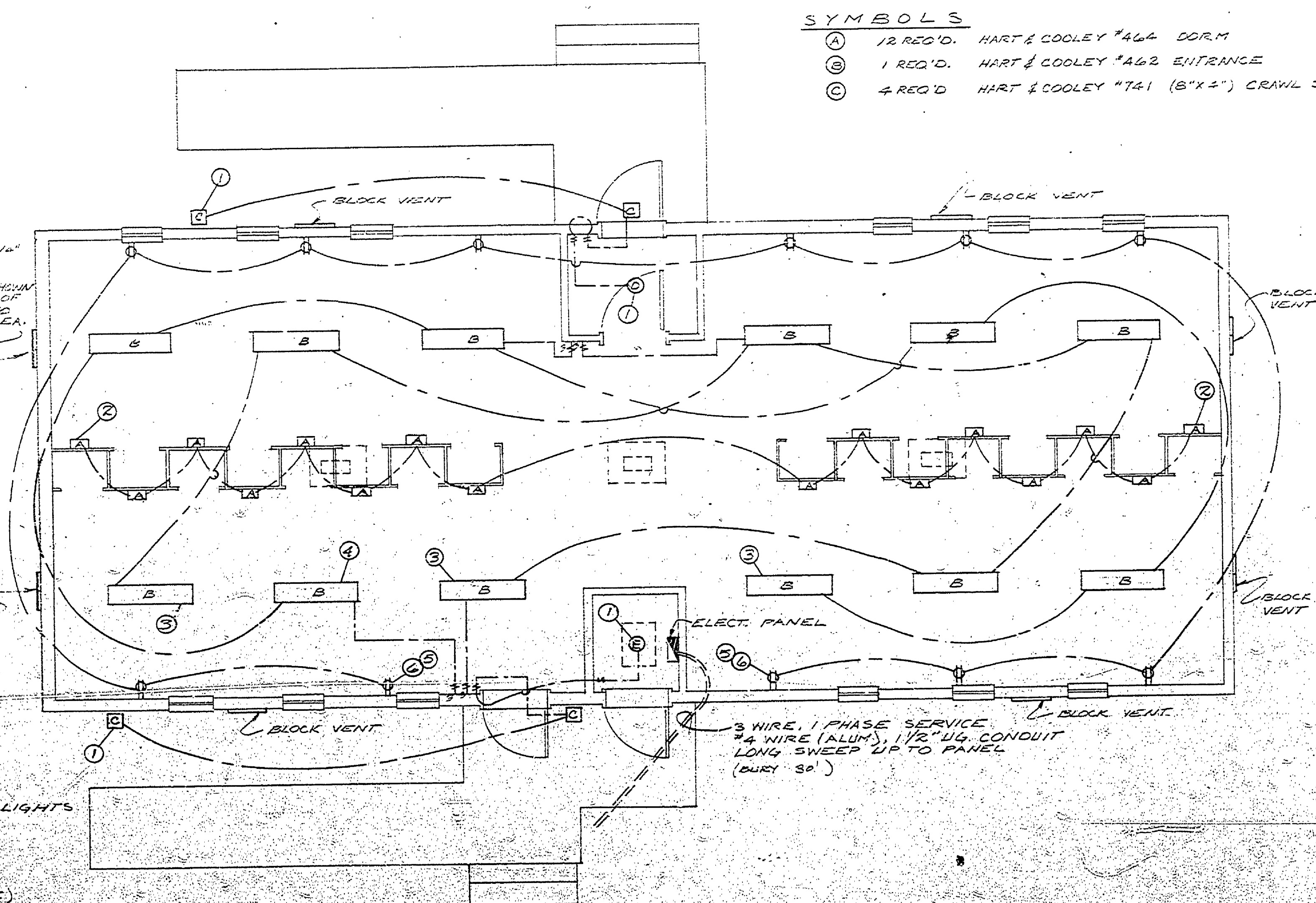
- 1 115V LIGHTING-ENTRANCE, MECH. RM. & NIGHT LIGHTS
- 2 115V LIGHTING-READING LAMPS
- 3 115V LIGHTING-GENERAL
- 4 115V LIGHTING-GENERAL
- 5 115V CONVENIENCE OUTLETS-(TOP RECEPTACLE)
- 6 115V CONVENIENCE OUTLETS-(BOTTOM RECEPTACLE)
- 7 115V (1/2 H.P.) FURNACE BLOWER MOTOR CONTROLLER



HEATING PLAN

SYMBOLS

- (A) 12 REQ'D. HART & COOLEY #464 DORM
- (B) 1 REQ'D. HART & COOLEY #462 ENTRANCE
- (C) 4 REQ'D. HART & COOLEY #741 (8' x 2") CRAWL SP.



ELECTRICAL PLAN

NO.	MANUFACTURER & NUMBER	TYPE	WATT	REMARKS
A	SOLUX #CRAB	INCAND./DOWN		MOUNT 3'-6" FROM FIN. FL.
B	DAYBRITE HALLMARK #AES-4	FLUOR./DOWN	250	SURFACE MOUNT ON CEILING
C	REHALL #3026	INCAND./DOWN		WALL MOUNT 1'-6" FROM FIN. FL.
D	SOLUX #AKV-40	INCAND./DOWN		SURFACE MOUNT ON CEILING
E	STO PORCELAIN FINTURE	INCAND./DOWN		LOCATE ON ROOF TRUSS

SURVEYED BY	DRAWN BY S. BAKUS	5/74	NO.	DATE	BY	REVISIONS	NO.	DATE	BY	REVISIONS
DESIGNED BY S. BAKUS	CHECKED BY	DATE	1				3			
		DATE	2				4			

MICHIGAN DEPARTMENT OF NATURAL RESOURCES
 ELECTRICAL PLAN HEATING PLAN
 SHEET TITLE
 SQUOEDC OUTDOOR CENTER AREL OR PARK PROJECT NO. 02-5520
 PROJECT DOORMITORY SHEET 3 OF 3 PLAN NO. 1-101