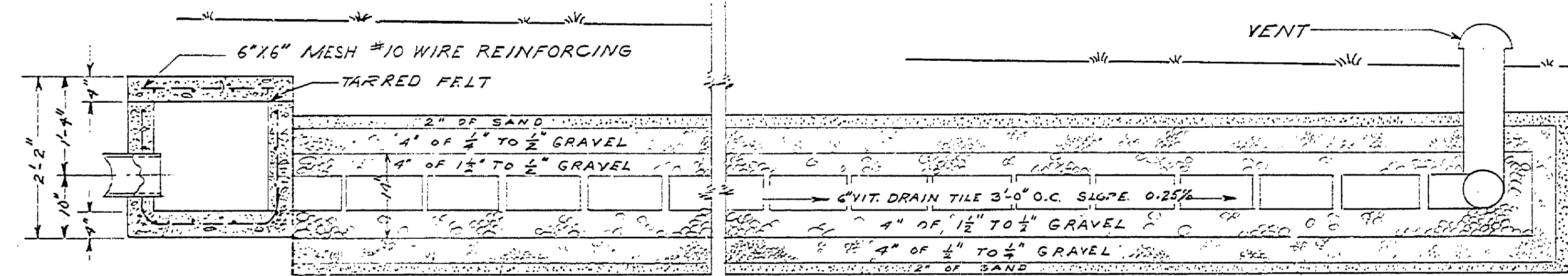
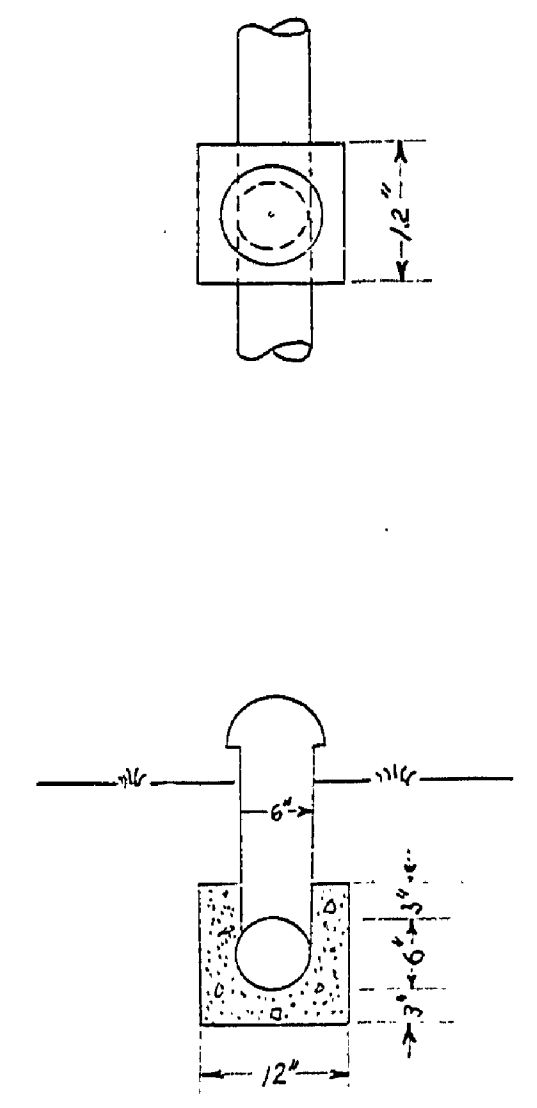


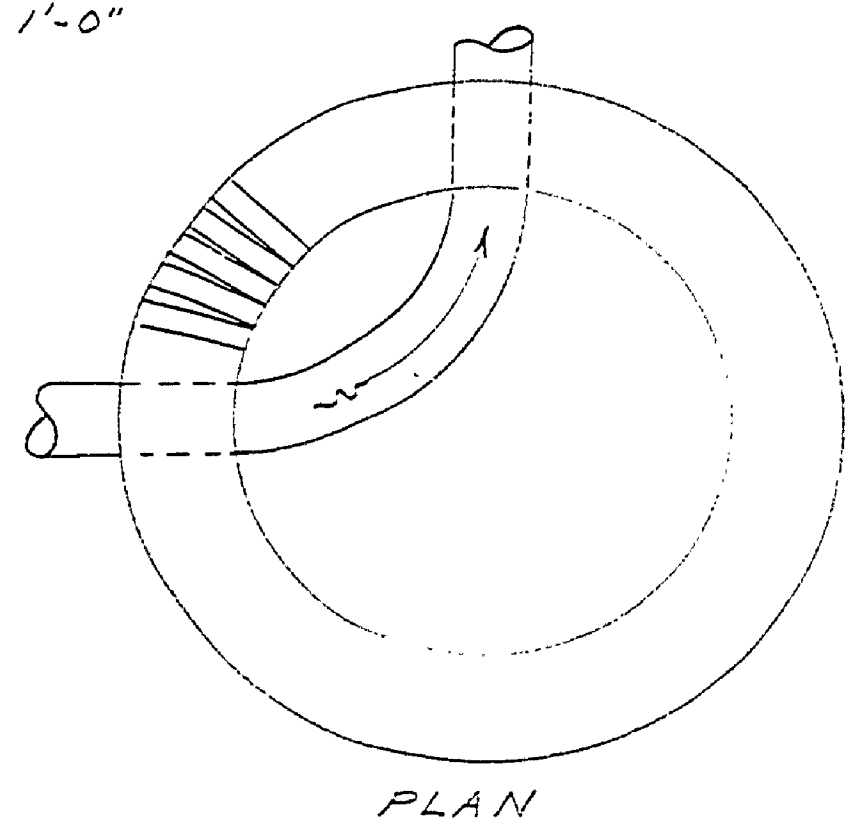
PLAN OF DISPOSAL FIELD
SCALE: - 3/4" = 1'-0"



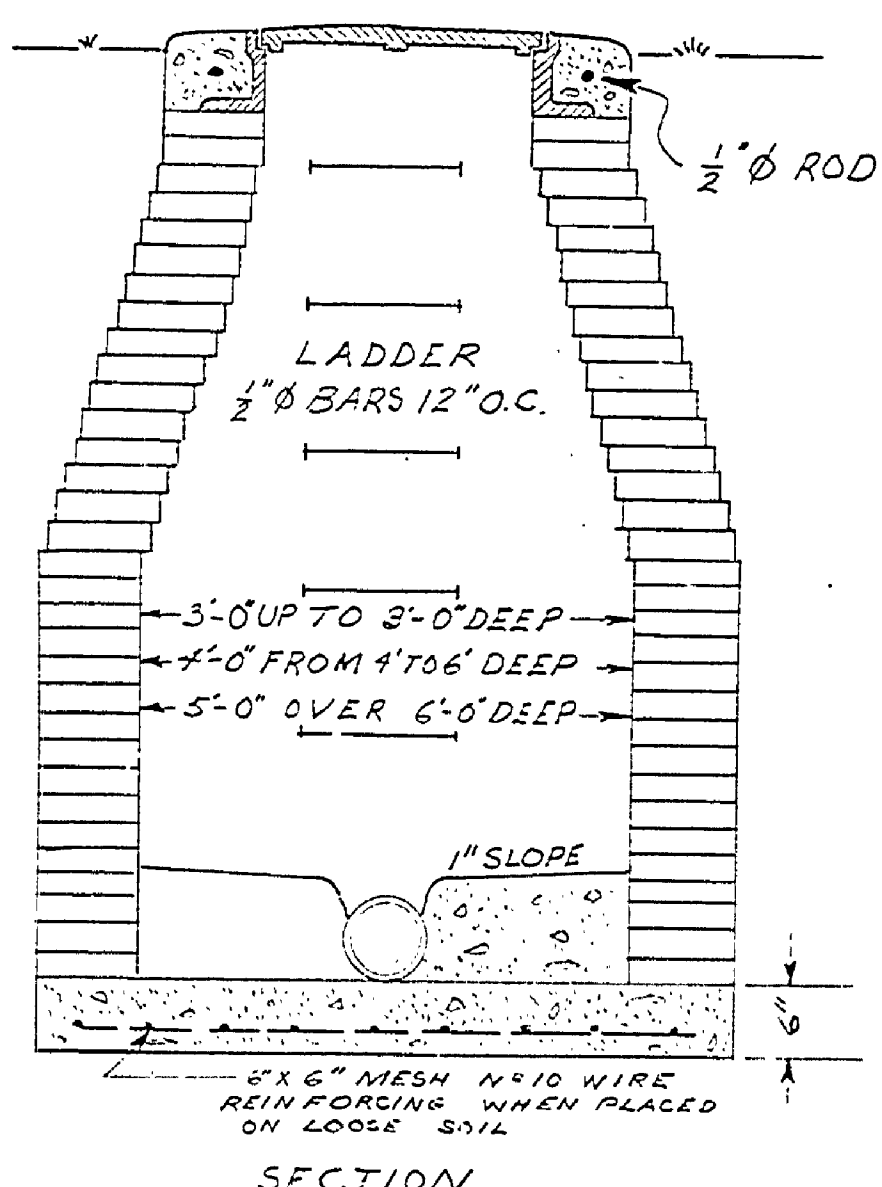
SECTION OF DISPOSAL FIELD
SCALE: - 3/4" = 1'-0"



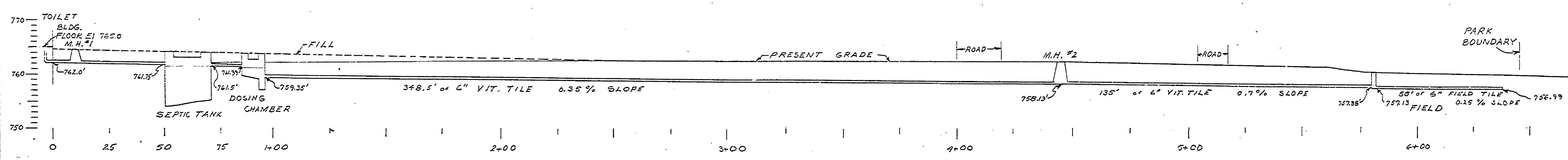
VENT DETAILS
SCALE: - 3/4" = 1'-0"



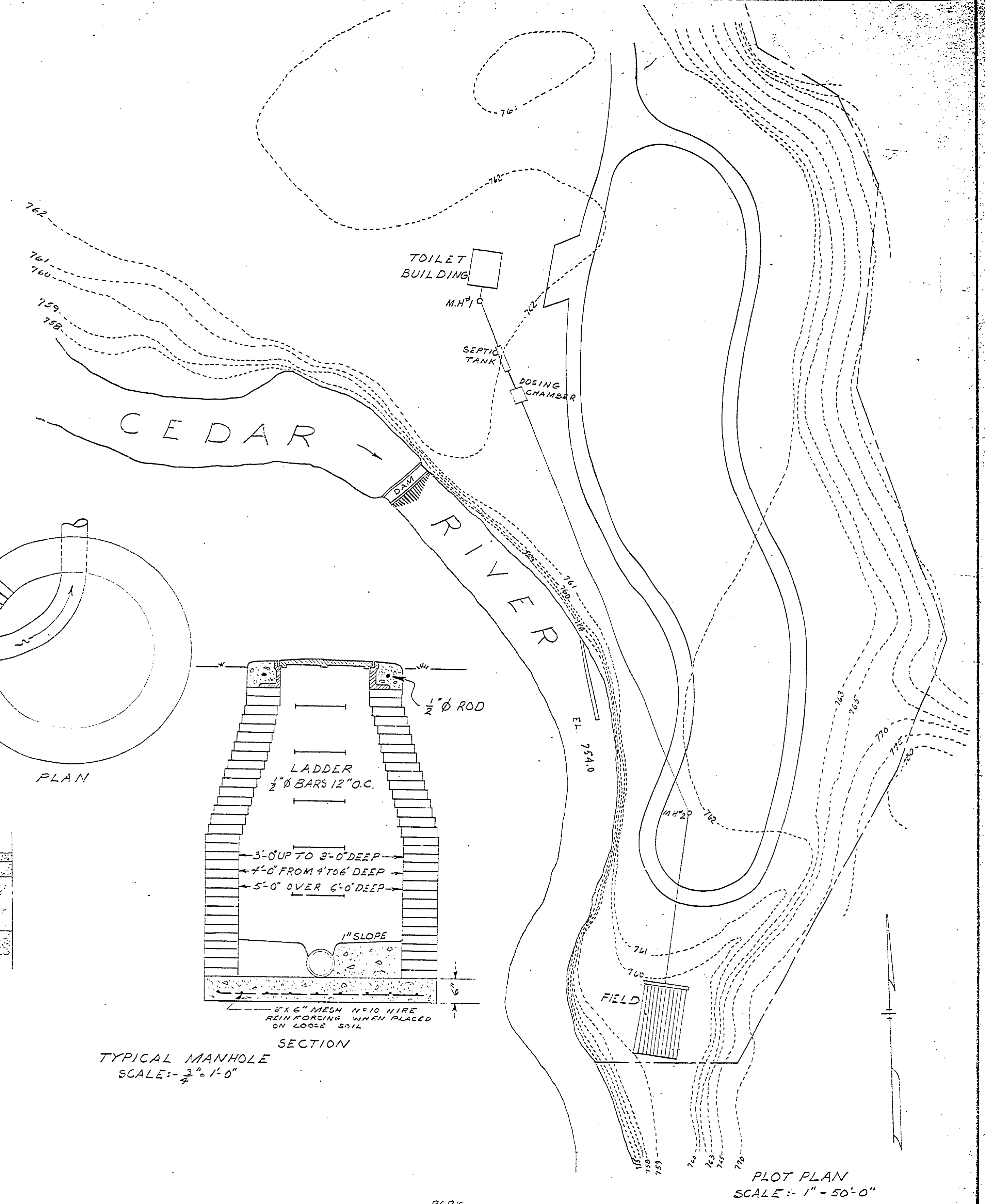
PLAN



TYPICAL MANHOLE
SCALE: - 3/4" = 1'-0"



SEWER LINE PROFILE
1" = 10'-0" VERTICAL
SCALE: - 1" = 25'-0" HORIZONTAL



PLOT PLAN
SCALE: - 1" = 50'-0"

MICHIGAN DEPARTMENT OF CONSERVATION DIVISION OF STATE PARKS		
DESIGNED BY R.C.M.	GLADWIN STATE PARK DISPOSAL SYSTEM FOR CAMP GROUND TOILET BLDG.	PLAN NO.
TRACED BY S.R.		SCALE AS SHOWN
CHECKED BY		SHEET NO. 1 OF 2
APPROVED	DIVISION CHIEF STATE PARKS	DATE
APPROVED		DATE

J.M. Hayler
3972