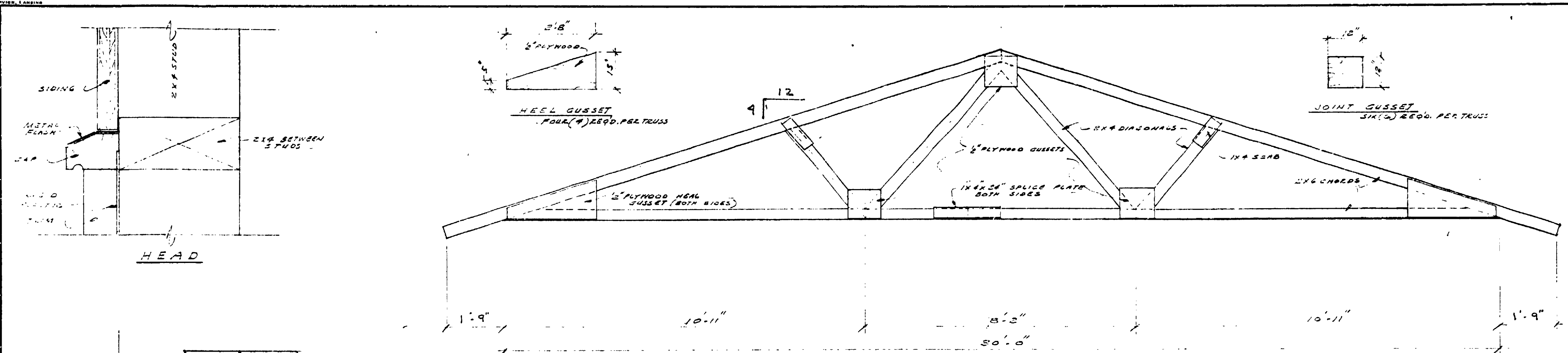
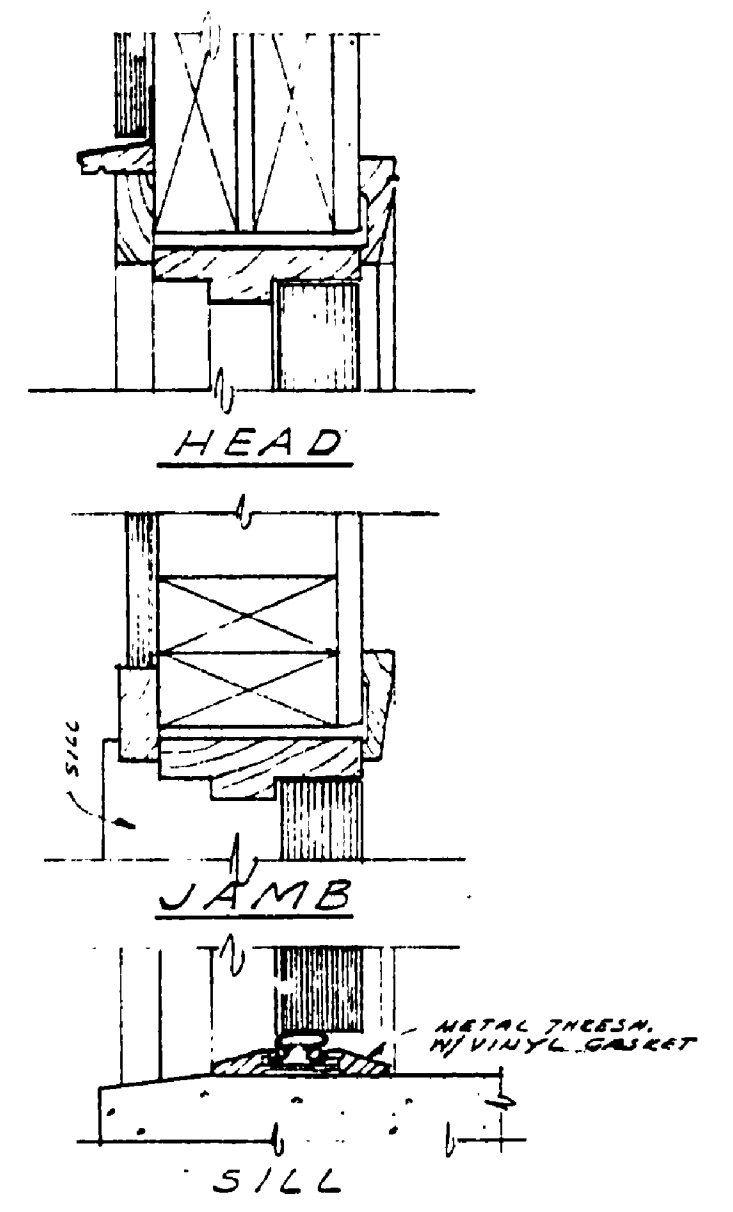


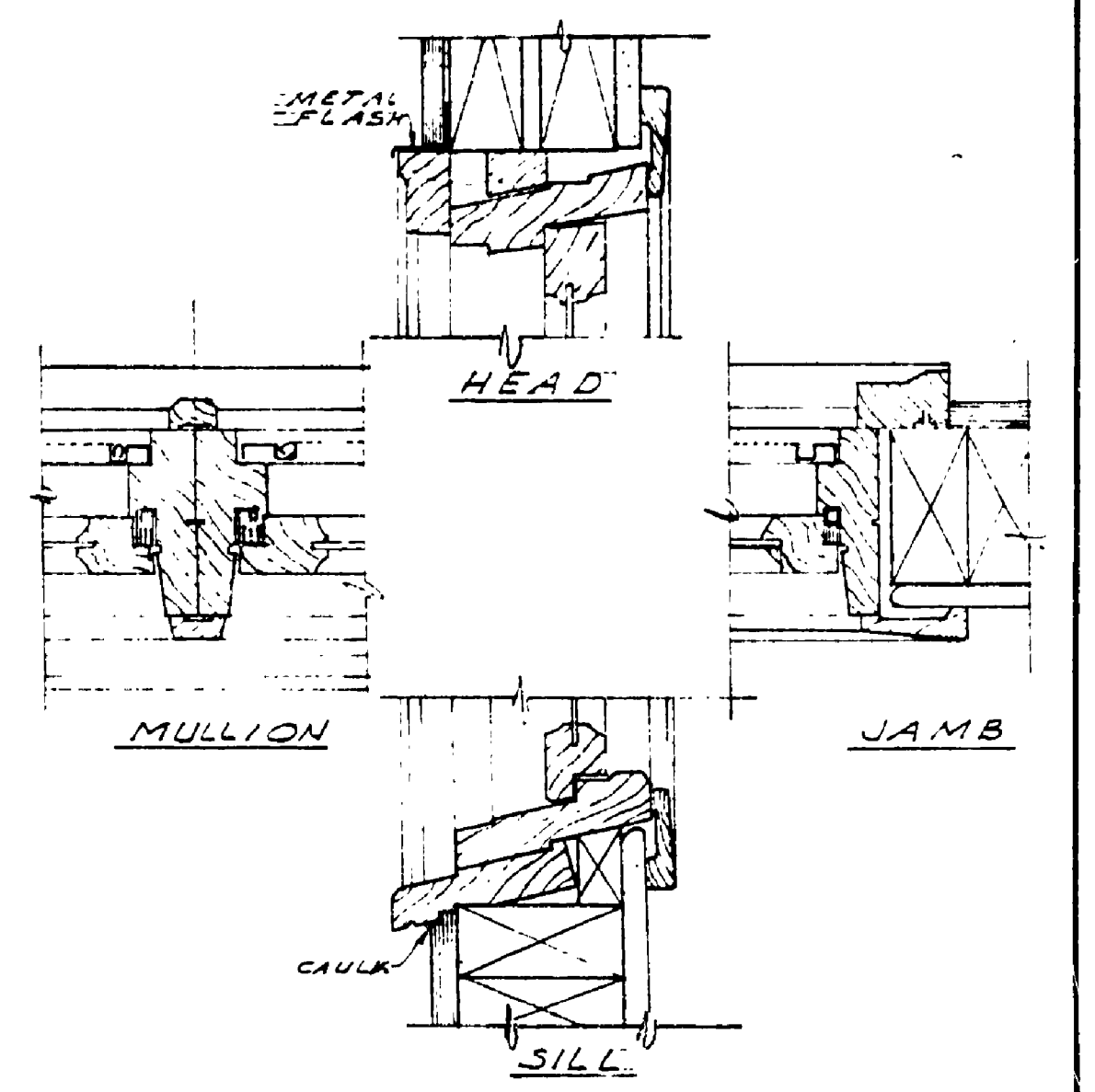
DESIGNED BY	DATE	REVIEWED	DATE	APPROVED	DATE	NO.	DATE	BY
ARCHITECTURAL	7-2-54	ARCHITECTURAL	7-2-54	CHIEF OF DIVISION	7-2-54	1		
ENGINEERING		ENGINEERING		CHIEF OF DIVISION		2		
LANDSCAPE	7-2-54	LANDSCAPE	7-2-54			3		
						4		
						5		
						6		



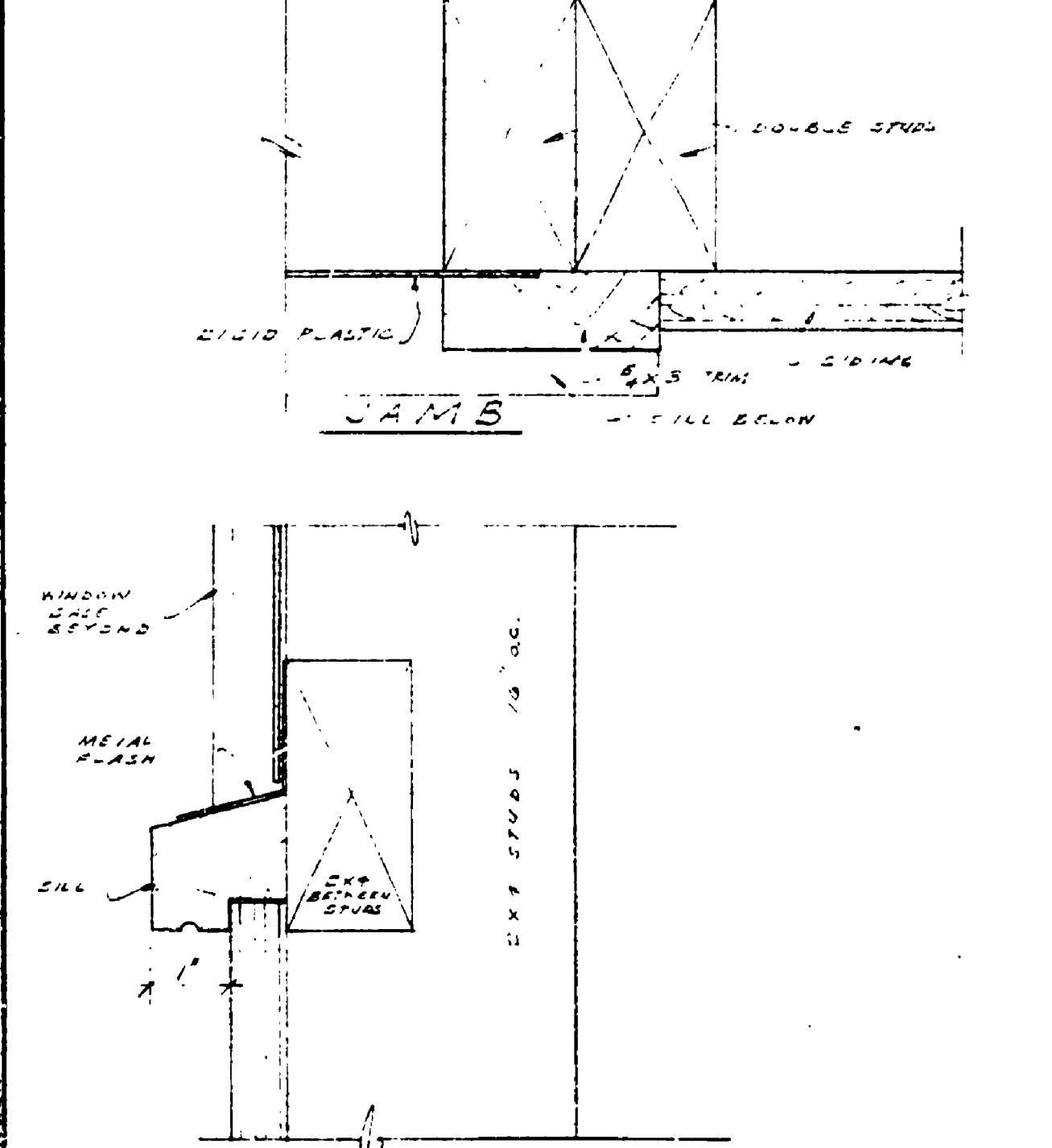
TRUSS DETAIL  
SCALE 1/2" = 1'-0"



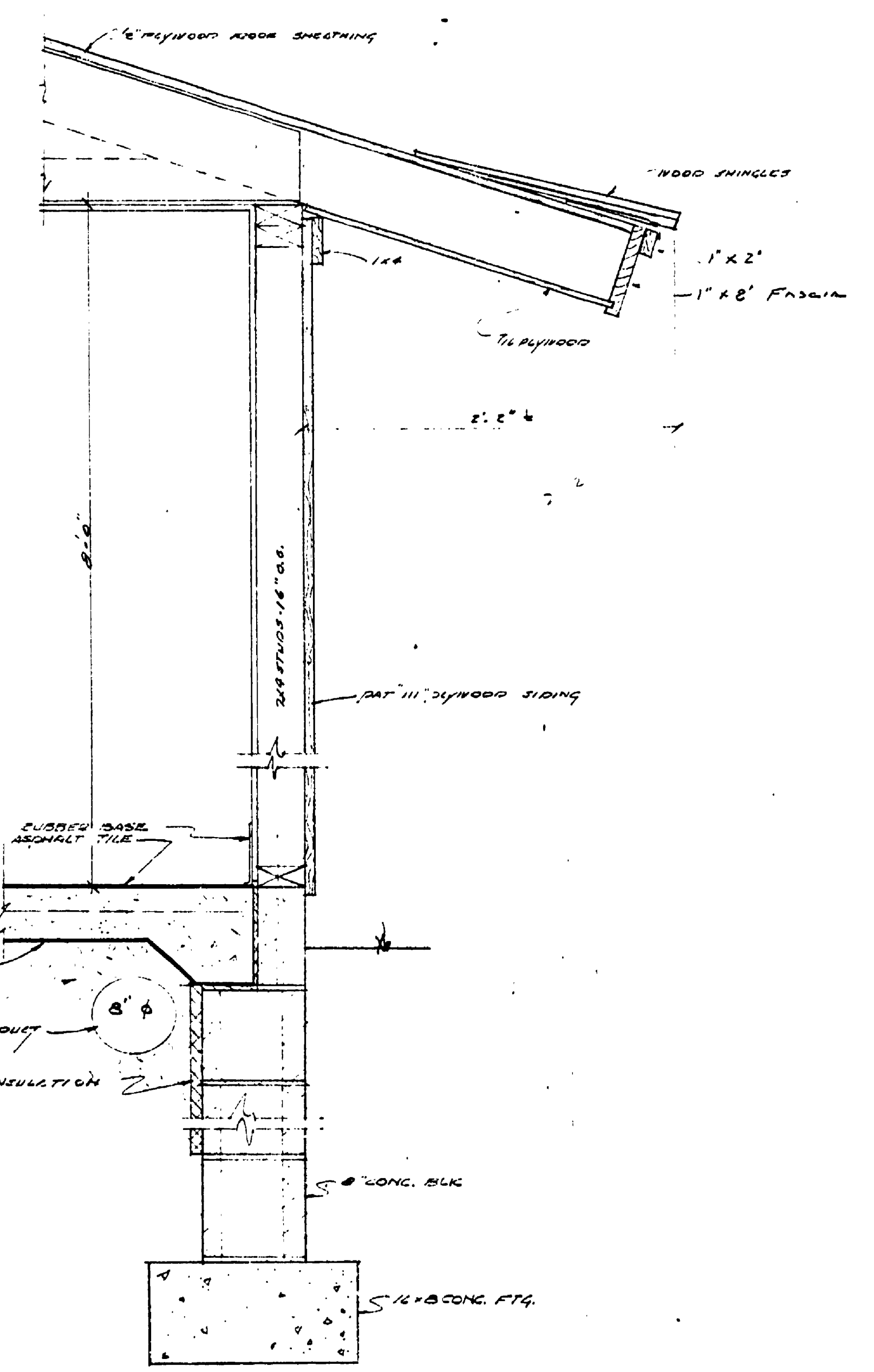
DOOR DETAIL  
SCALE 3/8" = 1'-0"



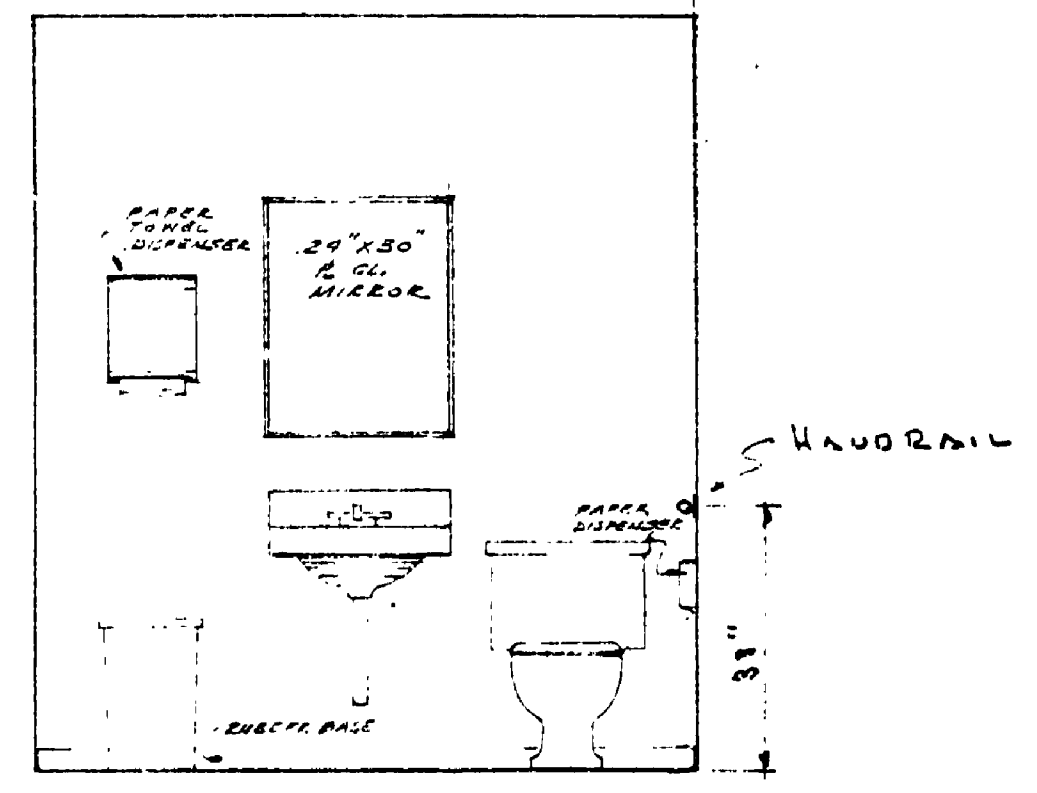
WINDOW DETAILS  
SCALE 3/8" = 1'-0"



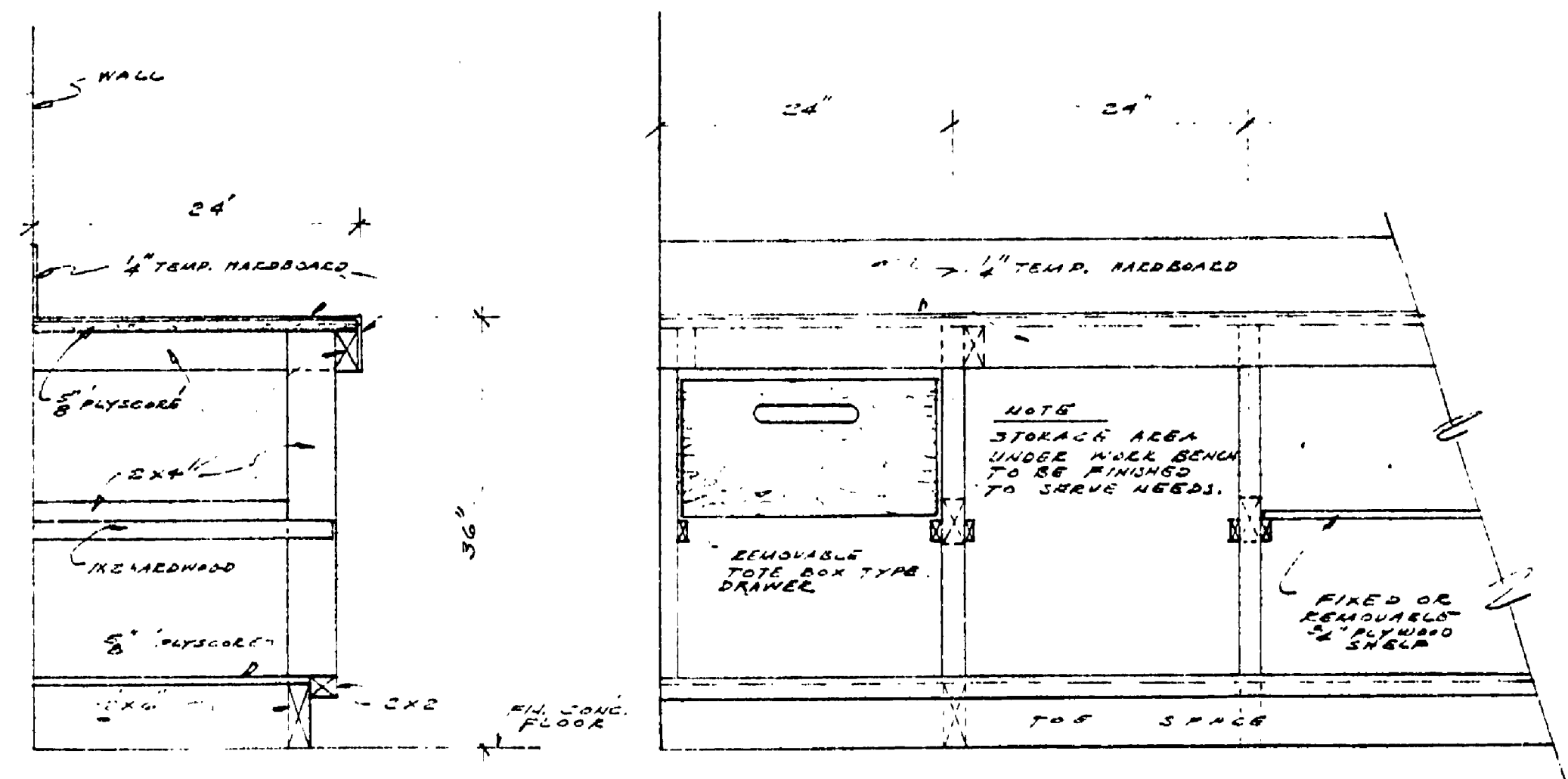
PLASTIC LIGHT PANEL DETAIL  
SCALE 1/2" = 1'-0"



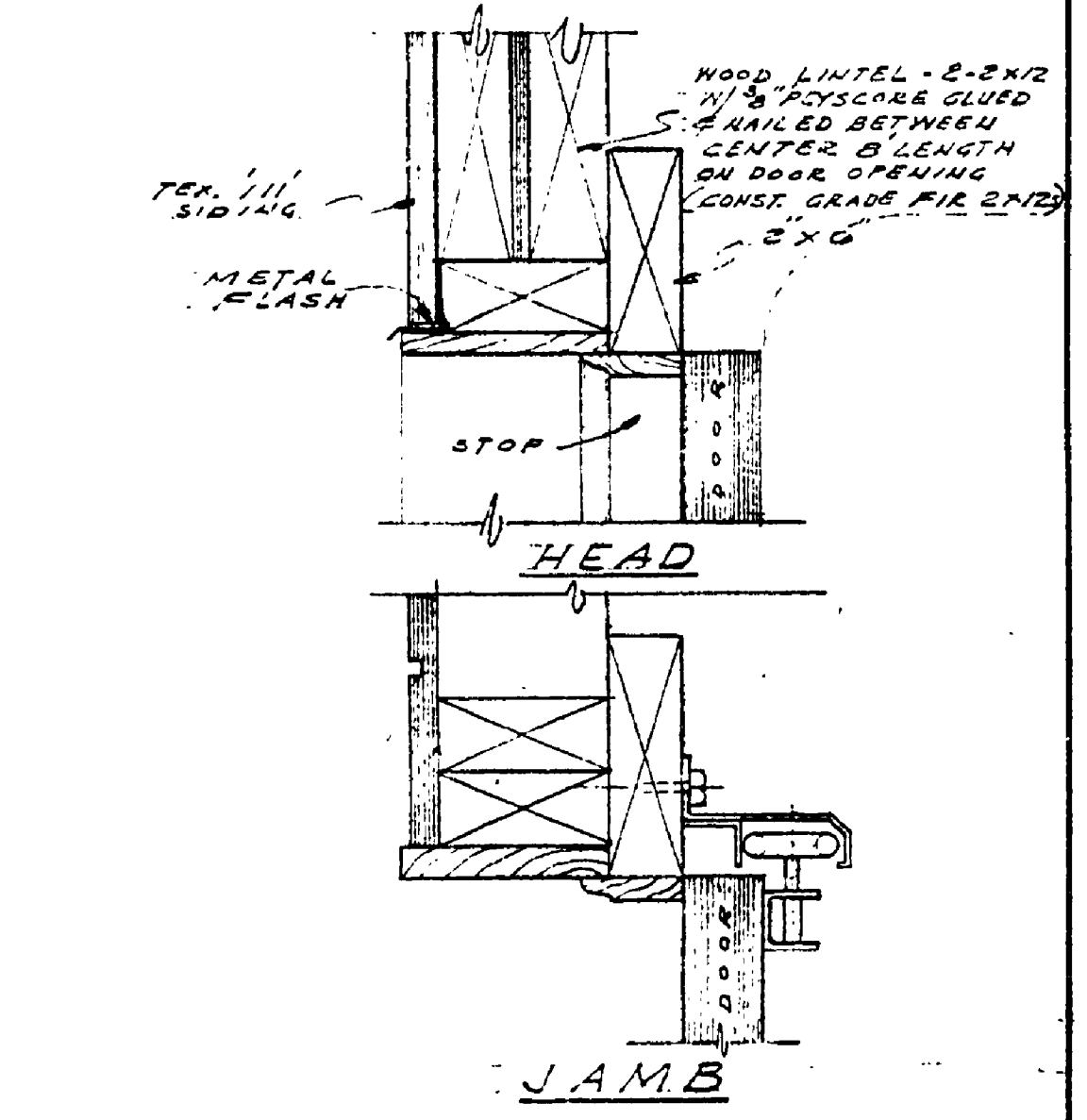
TYPICAL WALL SECTION  
SCALE 1/2" = 1'-0"



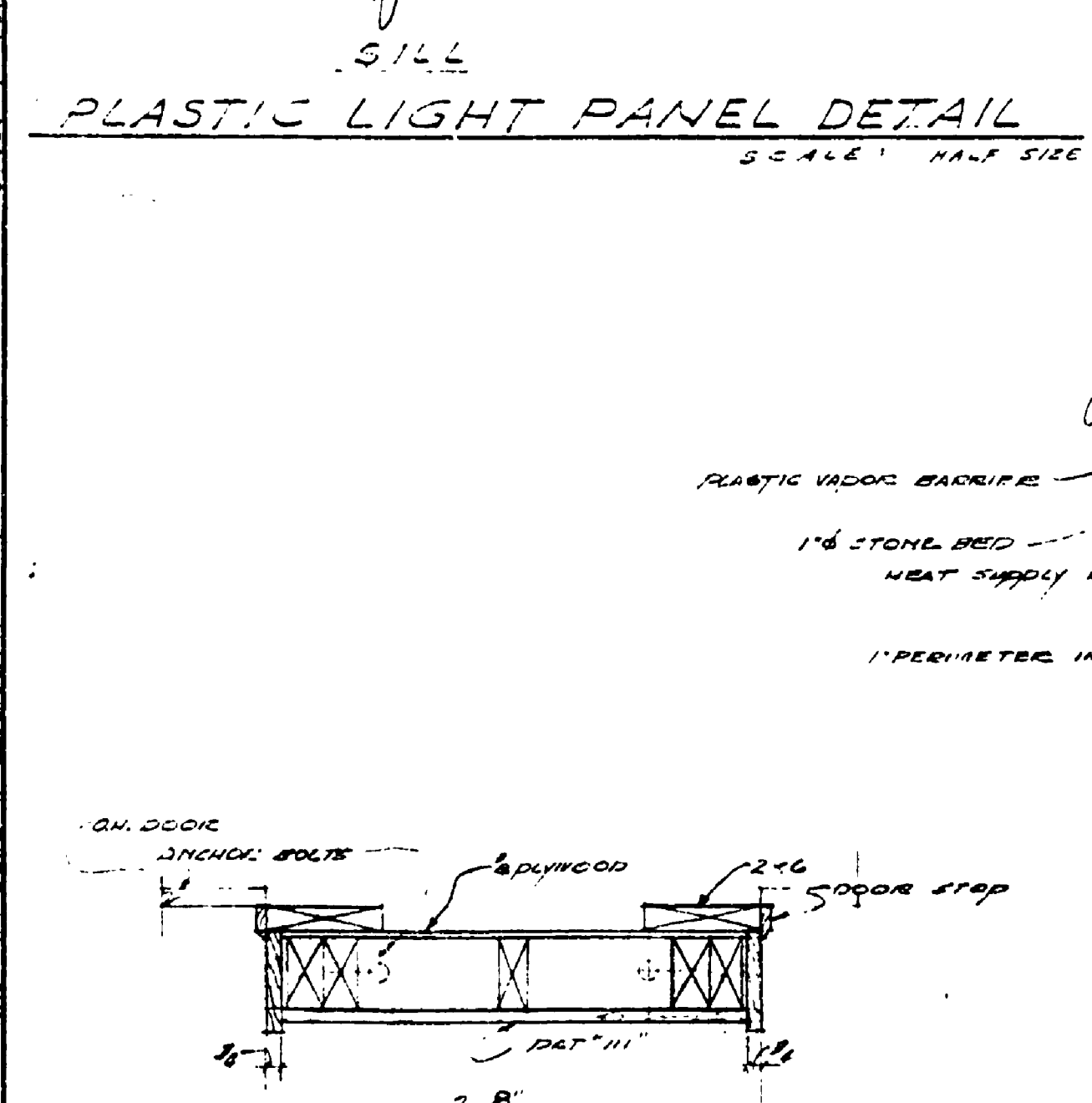
TYPICAL TOILET R.M. ELEV.  
SCALE 1/2" = 1'-0"



SECTION FRONT ELEV.  
WORK BENCH DETAIL  
SCALE 1/4" = 1'-0"



GARAGE DOOR DETAIL  
SCALE 3/8" = 1'-0"



O.H. DOOR MULL  
SCALE 1/2" = 1'-0"