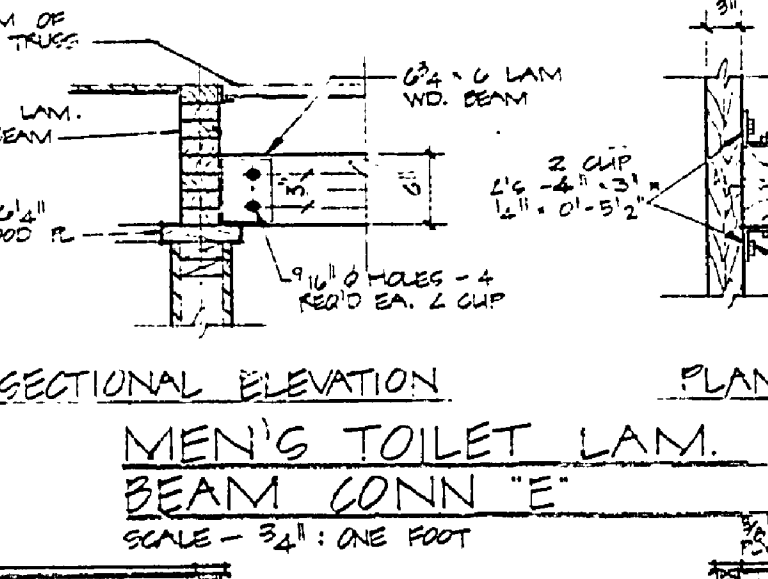
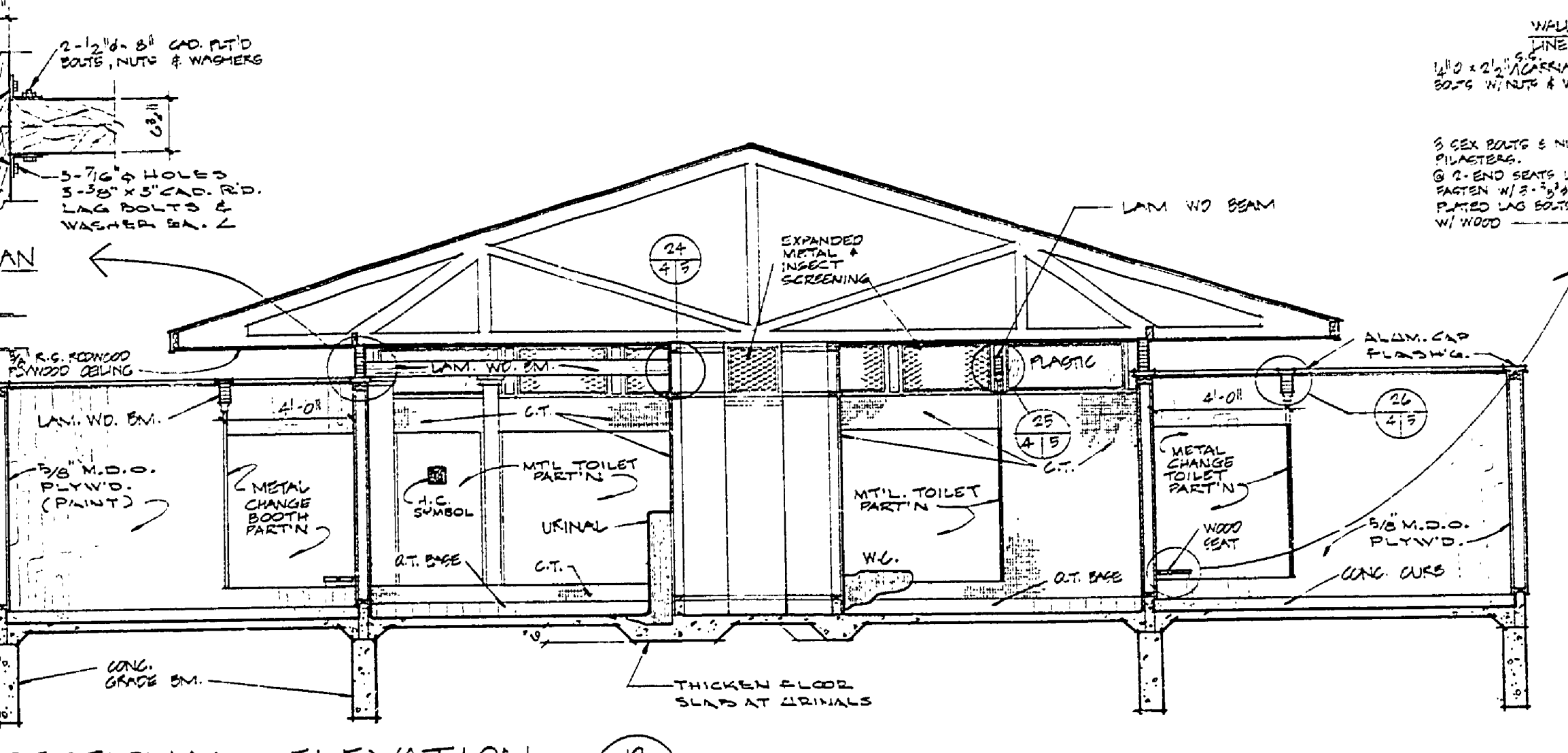


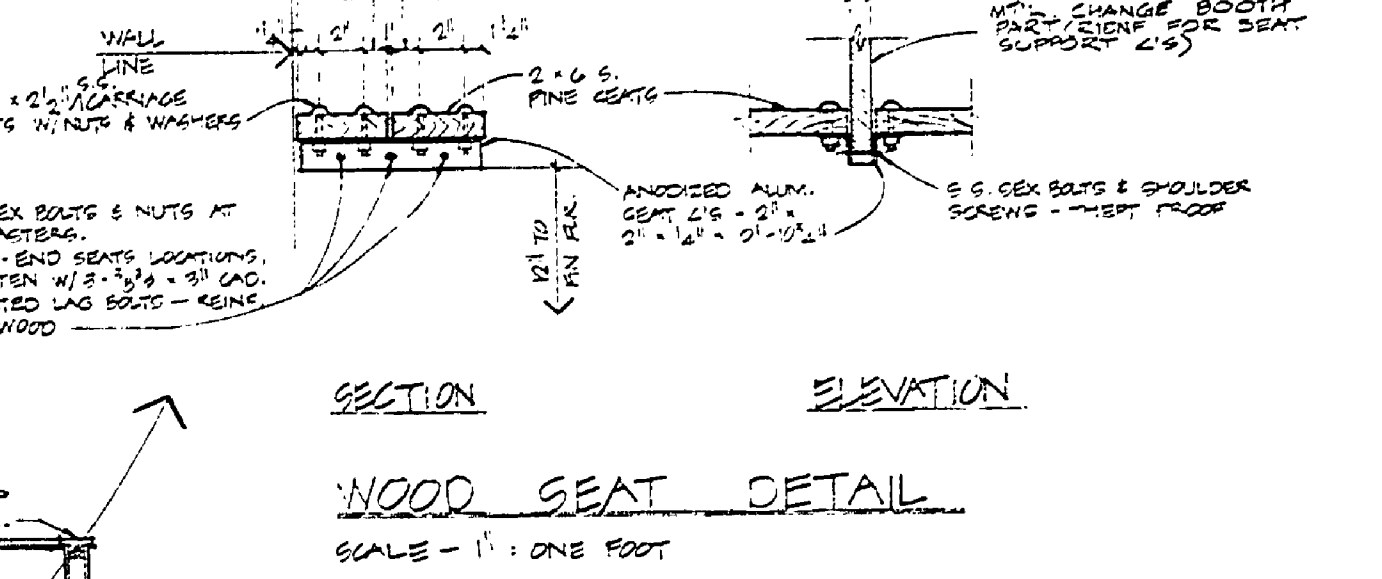
SECTIONAL ELEVATION 11
SCALE - 1/4" = ONE FOOT



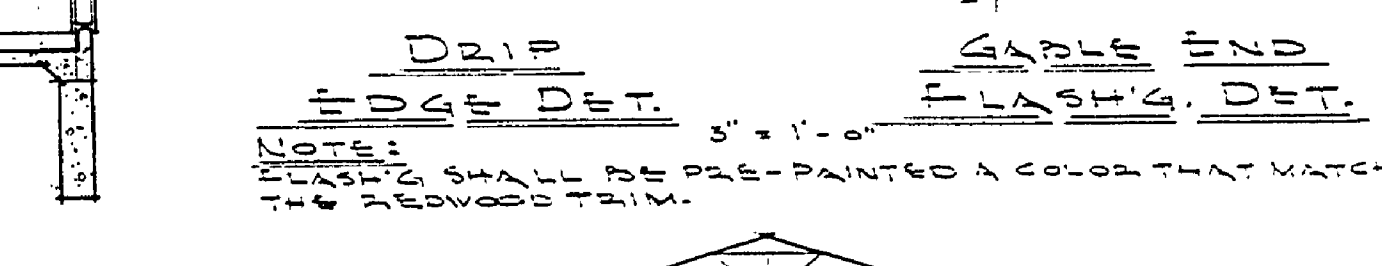
SECTIONAL ELEVATION 12
SCALE - 1/4" = ONE FOOT



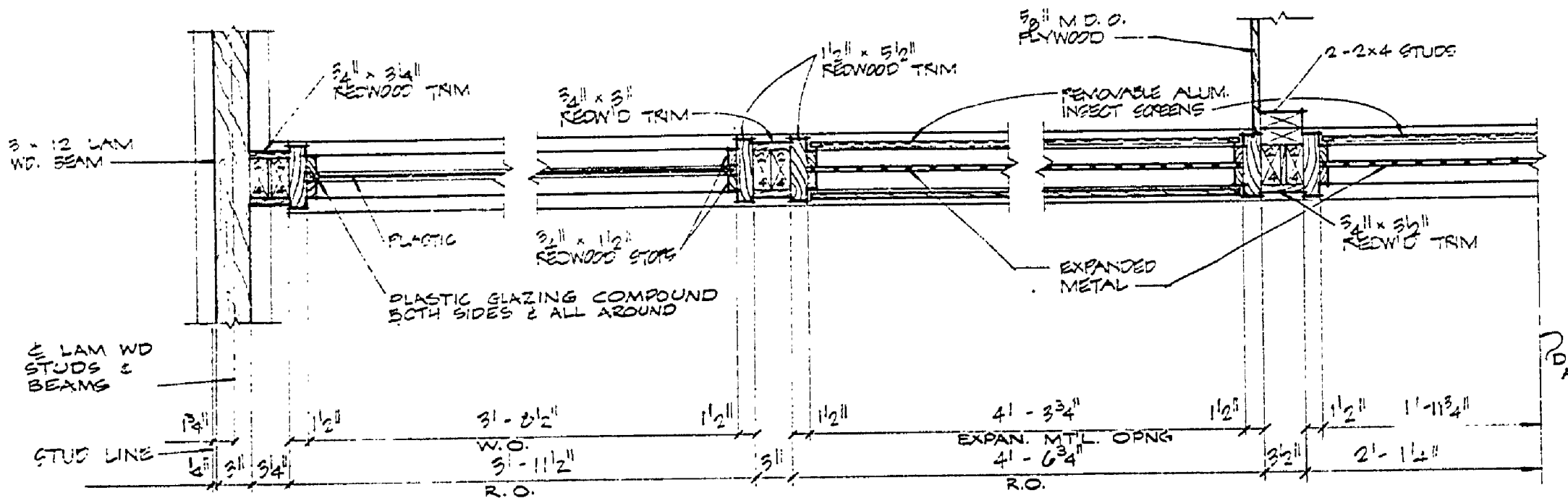
SECTIONAL ELEVATION 13
SCALE - 1/4" = ONE FOOT



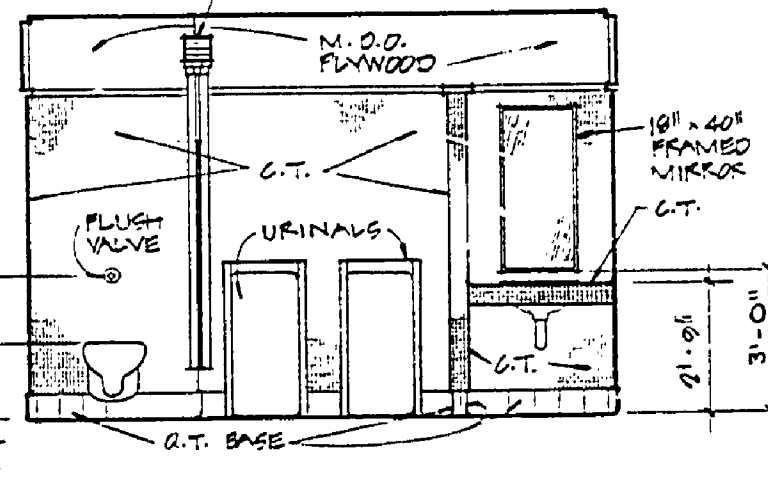
WOOD SEAT DETAIL
SCALE - 1" = ONE FOOT



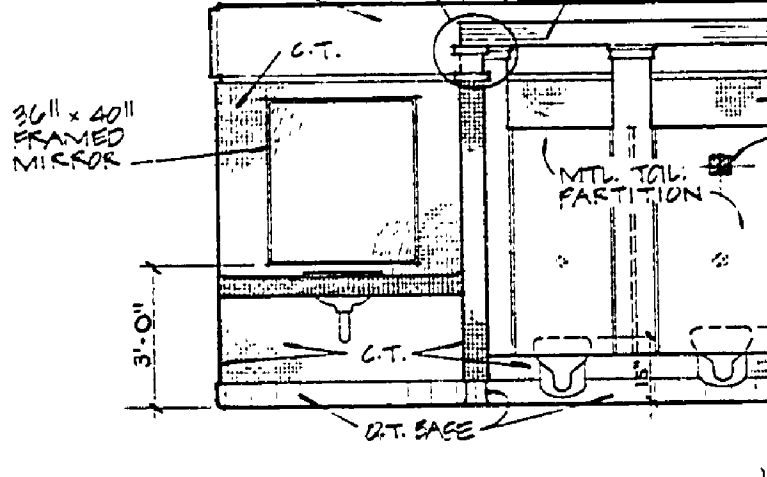
DRAIN EDGE DET. GABLE END FLASHING DET.
SCALE - 1" = ONE FOOT



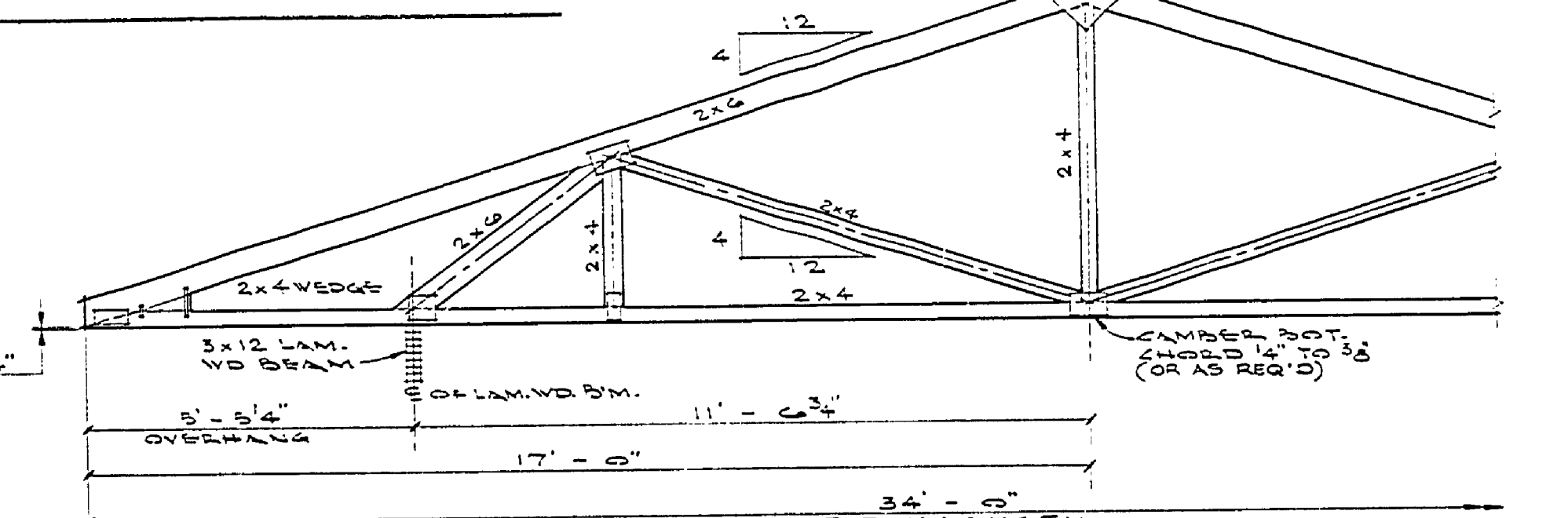
WALL DETAIL 14
SCALE - 1" = ONE FOOT



ELEVATION - MEN'S TOILET
SCALE - 1/4" = ONE FOOT

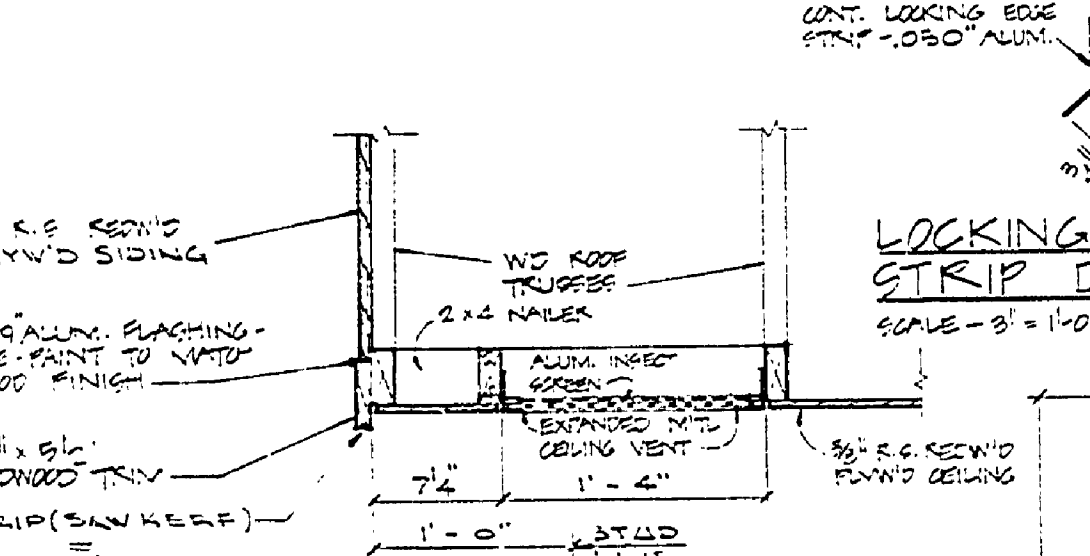


ELEVATION - WOMEN'S TOILET
SCALE - 1/4" = ONE FOOT

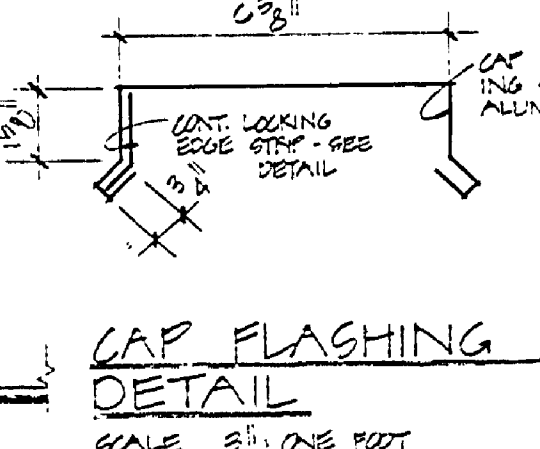


HALF ELEV. OF A CANTILEVERED TRUSS
TOTAL LENGTH 34'-0"

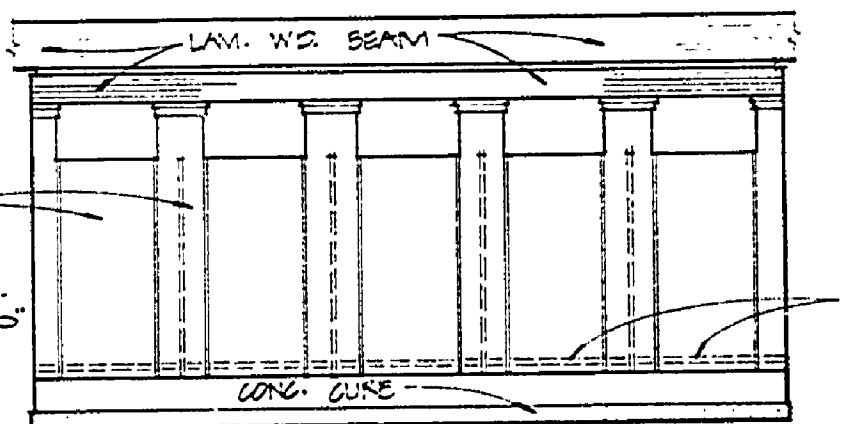
NOTE: TRUSS IS BASED ON 'SUNFORD ROOF TRUSSES' OTTAWA ROOF TRUSS CO. ZEBLAND, MICH. DESIGN LOADINGS: ROOF 45 P.S.F., CEILING 10 P.S.F. TOTAL 55 P.S.F. LOAD DURATION FACTOR 20% INCREASE. CONT. 2x4 WALL HOLDING ANGLE.



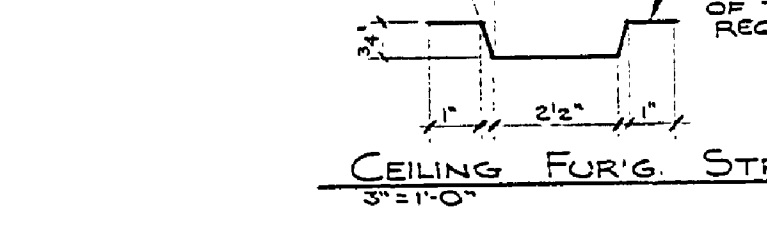
LOCKING EDGE STRIP DETAIL
SCALE - 1" = ONE FOOT



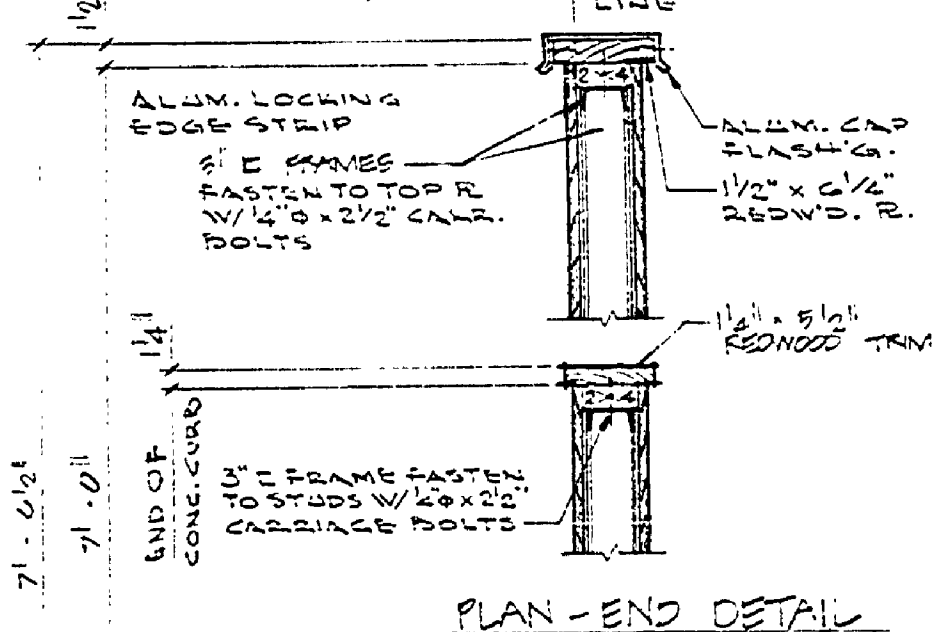
CAP FLASHING DETAIL
SCALE - 1" = ONE FOOT



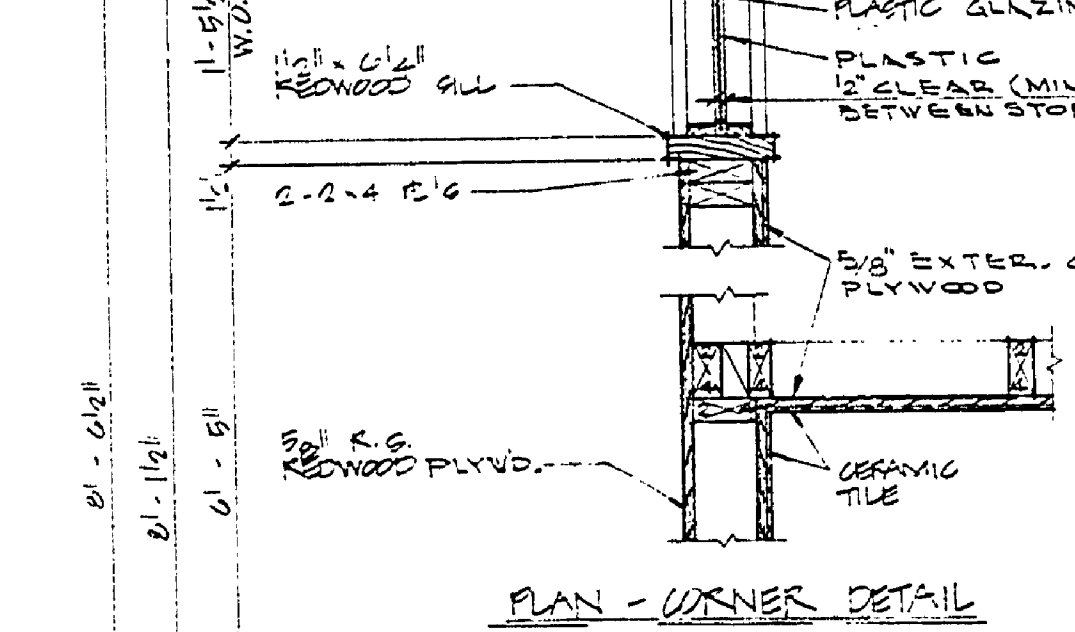
ELEVATION - WOMEN'S CHANGE CT.
SCALE - 1/4" = ONE FOOT



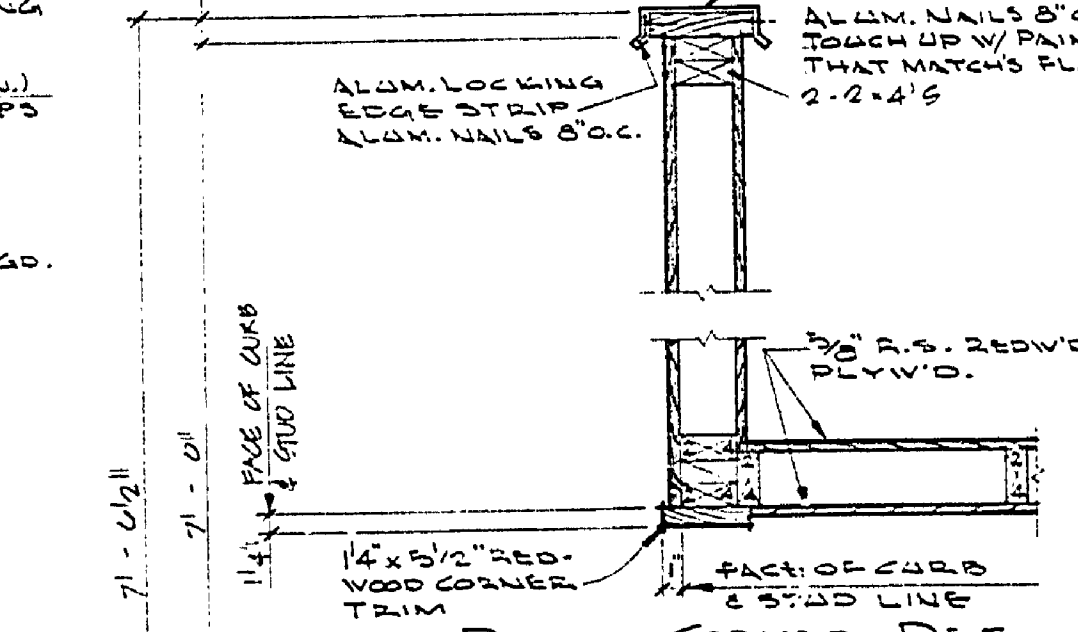
CEILING FURIG STRIP
SCALE - 1" = ONE FOOT



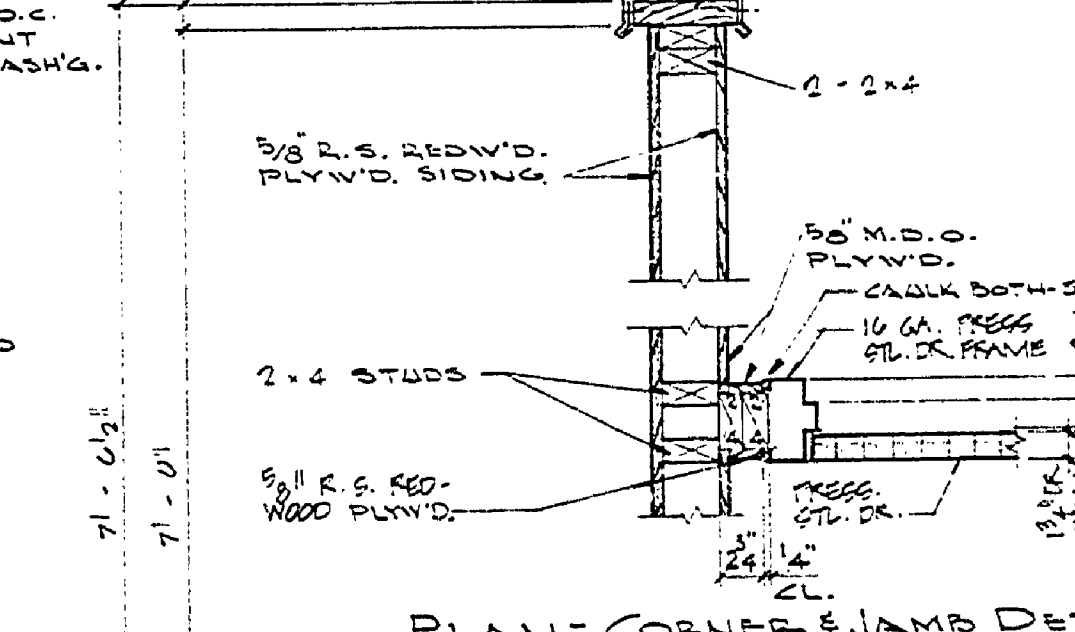
PLAN - END DETAIL



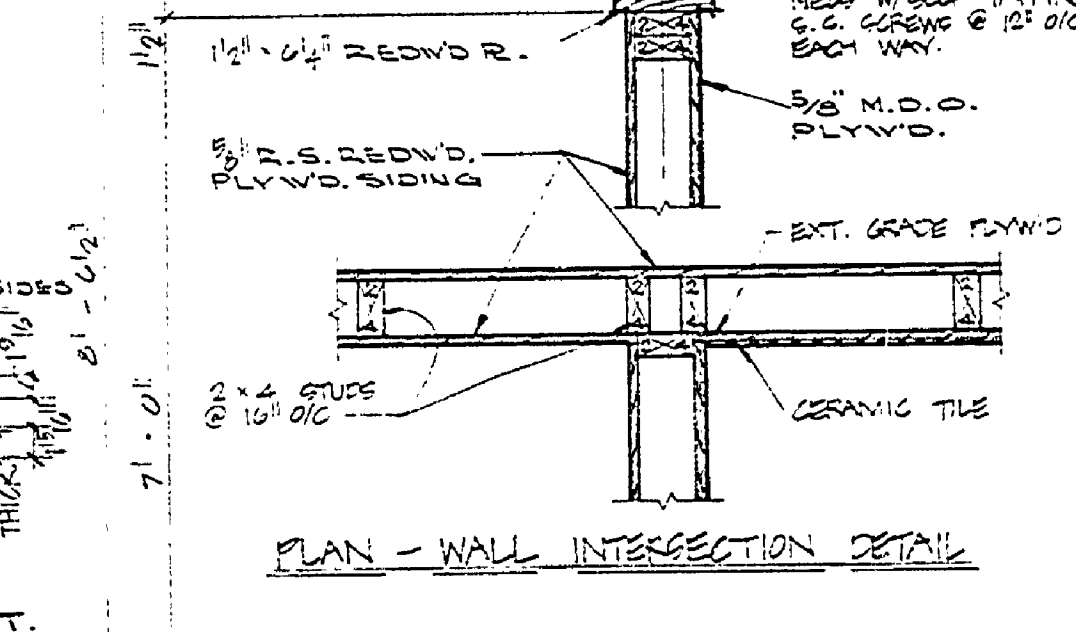
PLAN - CORNER DETAIL



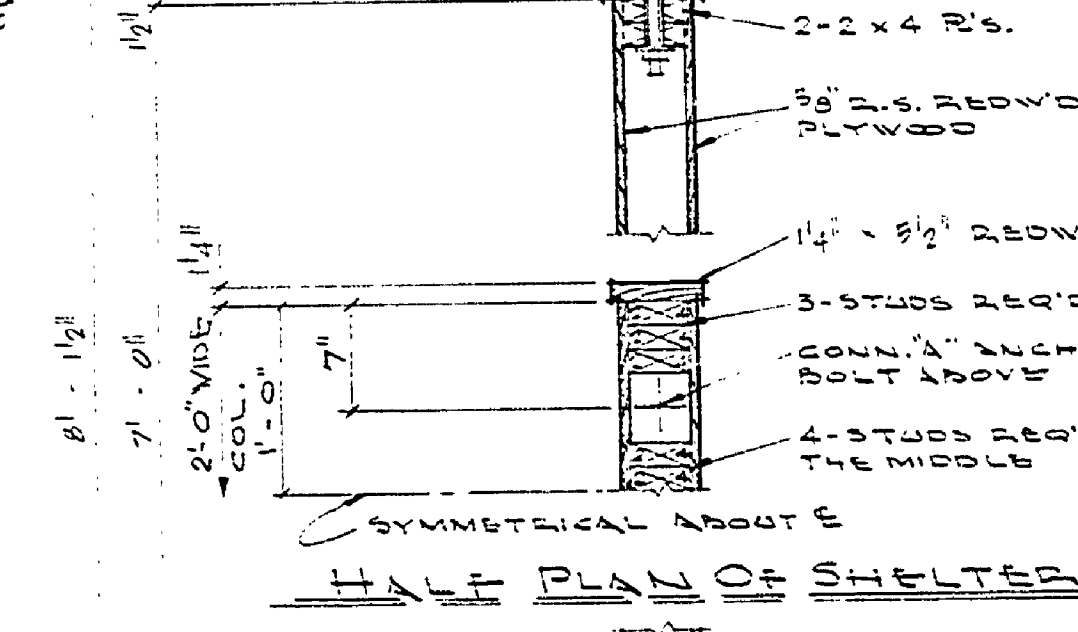
PLAN - CORNER DET.



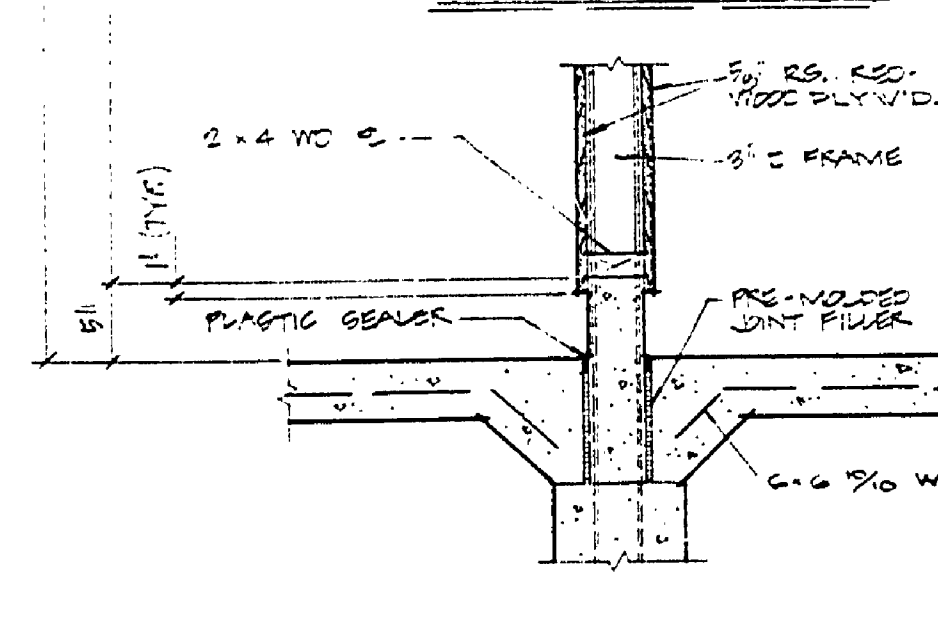
PLAN - CORNER & JAMB DET.



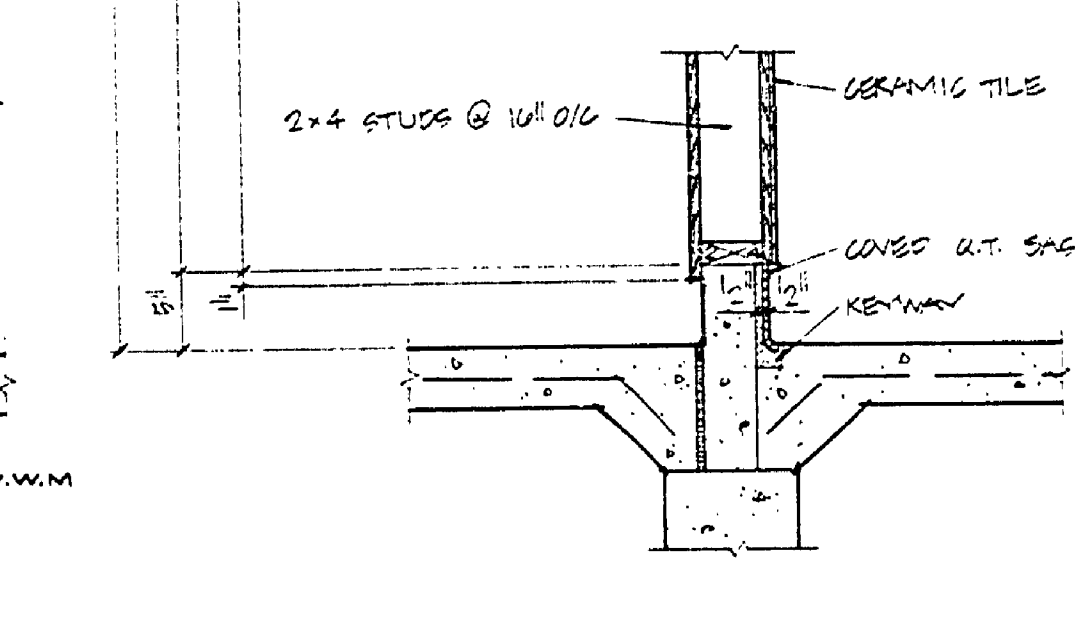
PLAN - WALL INTERSECTION DETAIL



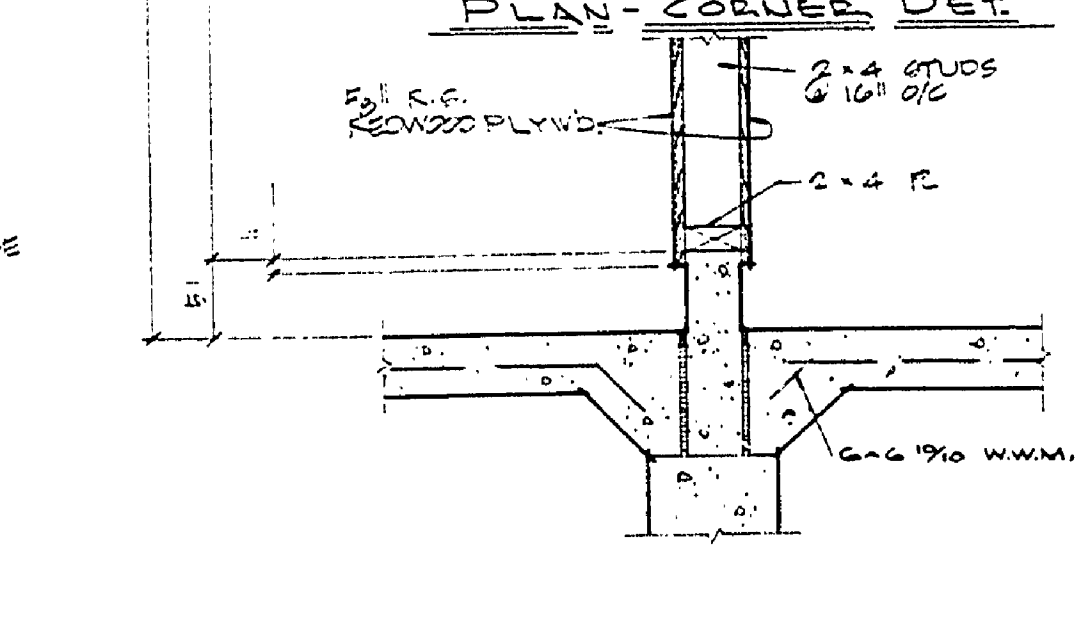
HALF PLAN OF SHELTER COL'S.



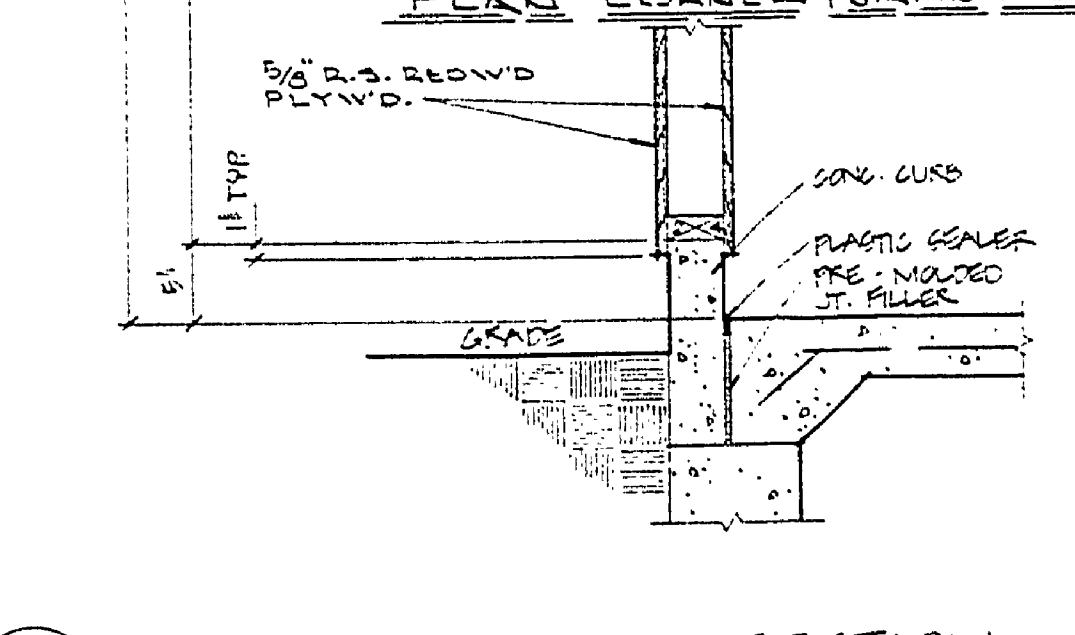
WALL SECTION 14
SCALE - 1" = ONE FOOT



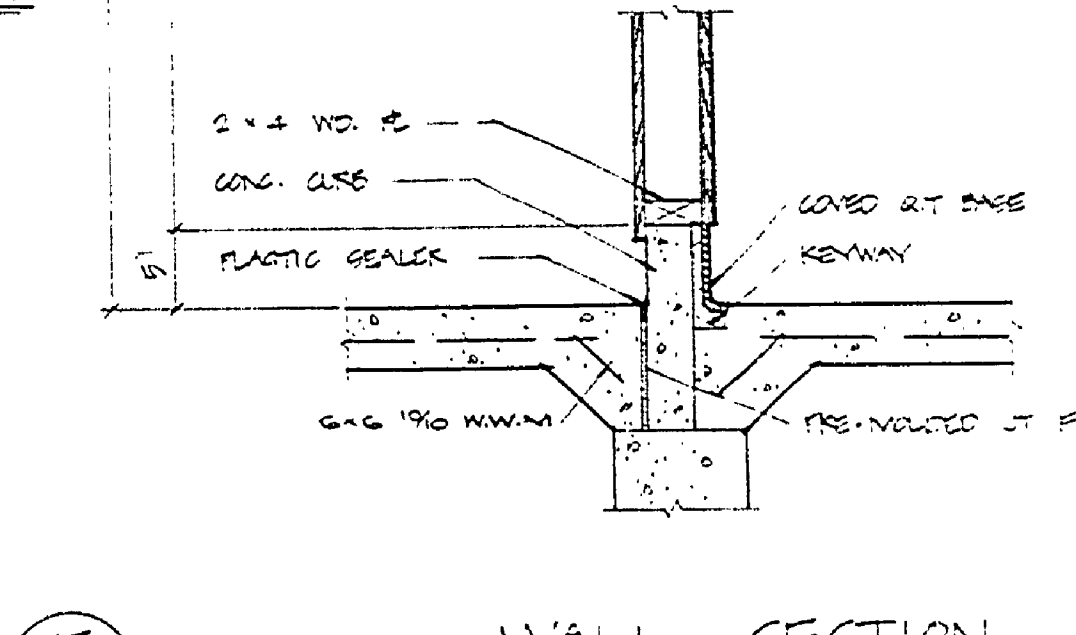
WALL SECTION 15
SCALE - 1" = ONE FOOT



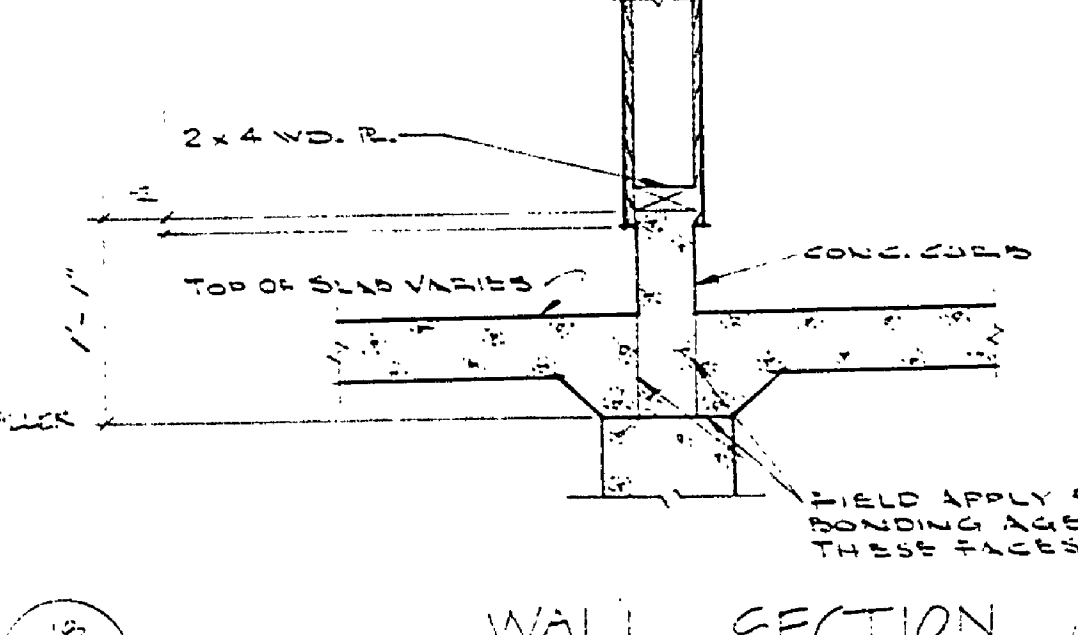
WALL SECTION 16
SCALE - 1" = ONE FOOT



WALL SECTION 17
SCALE - 1" = ONE FOOT



WALL SECTION 18
SCALE - 1" = ONE FOOT



WALL SECTION 19
SCALE - 1" = ONE FOOT

SURVEYED BY		DRAWN BY		4-75 NO. DATE BY		REVISIONS		NO. DATE BY		REVISIONS		MICHIGAN DEPARTMENT OF NATURAL RESOURCES		CLEAR CK. STATE PARK AREA OR PARK TOILET & CHANGE COURT BLDG. PROJECT		PROJECT NO. 02-0522	
DESIGNED BY G.R.C., L.H.		CHECKED BY		DATE		1. 2.		3. 4.		SHEET TITLE		SECTION 4 OF 6		PLAN NO. A-102			