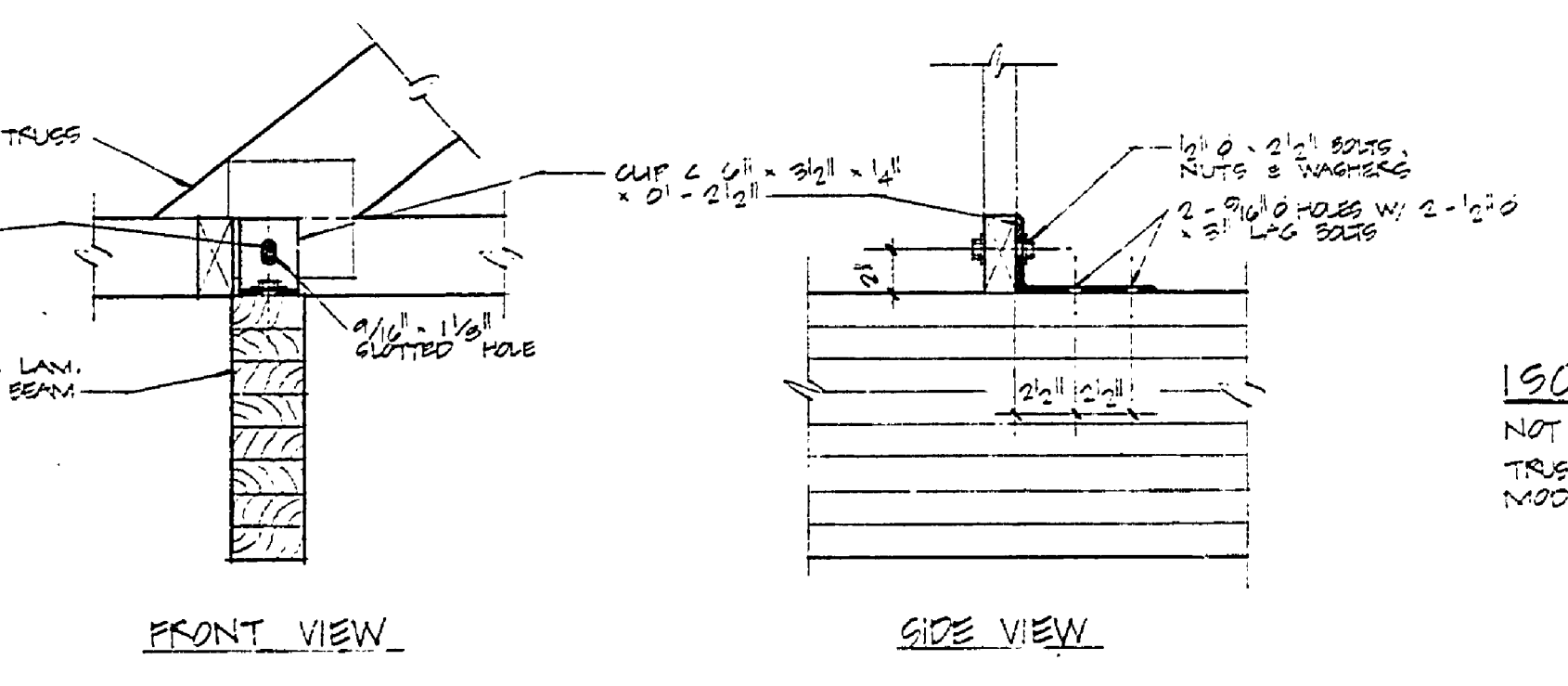
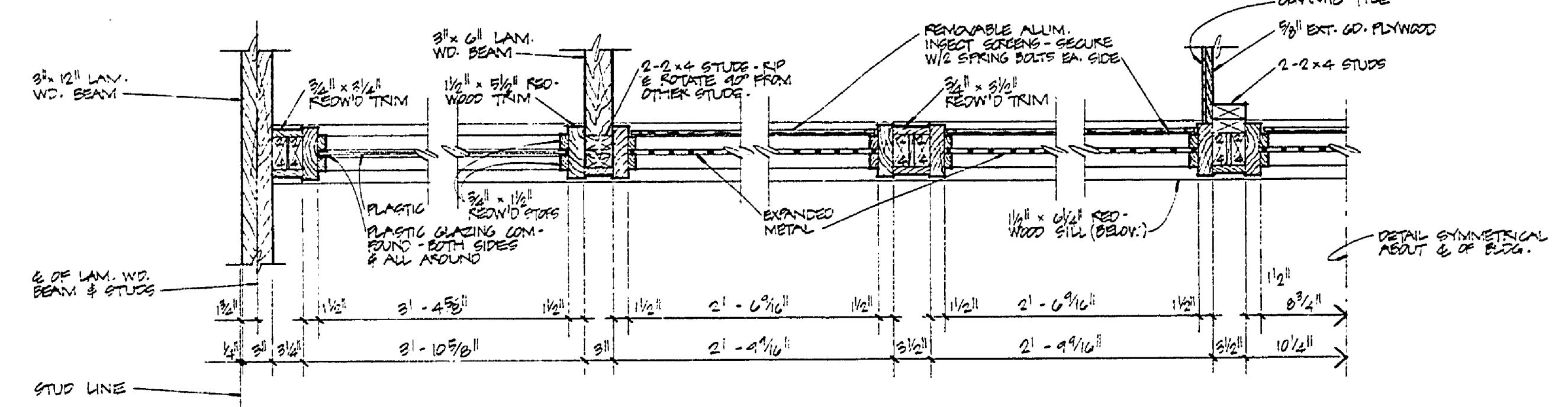
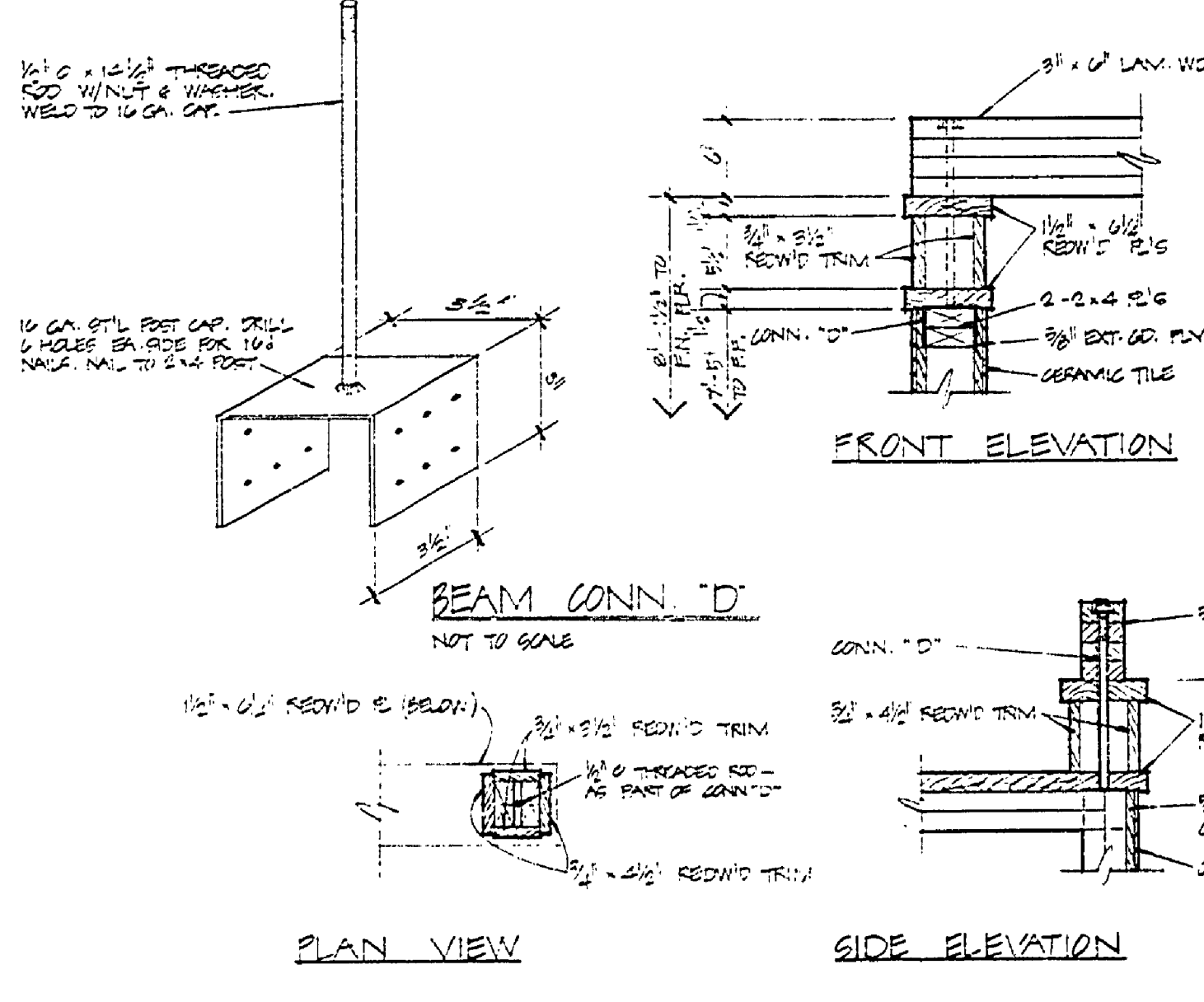
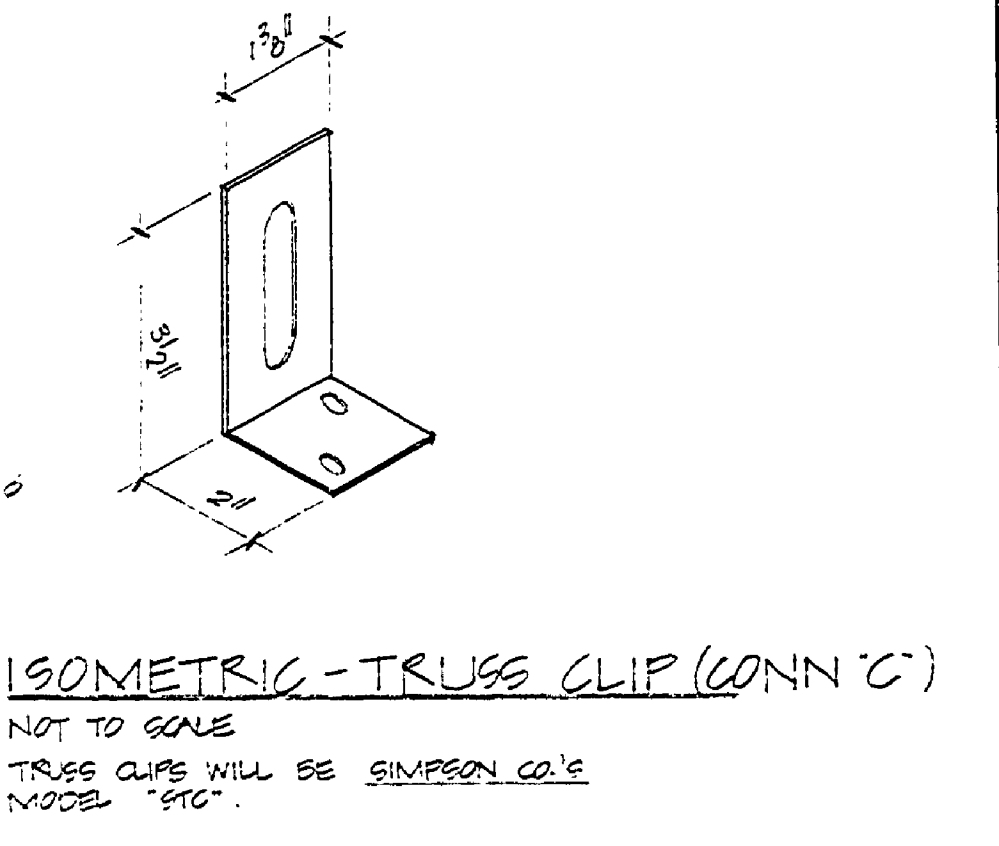


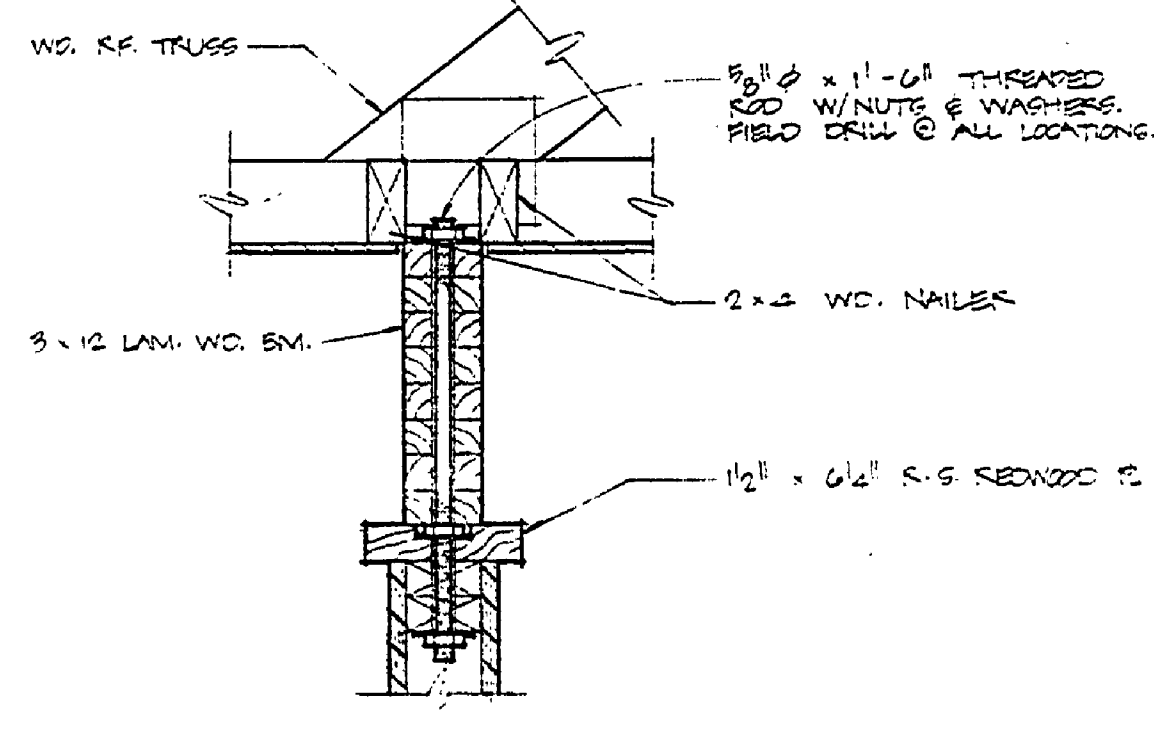
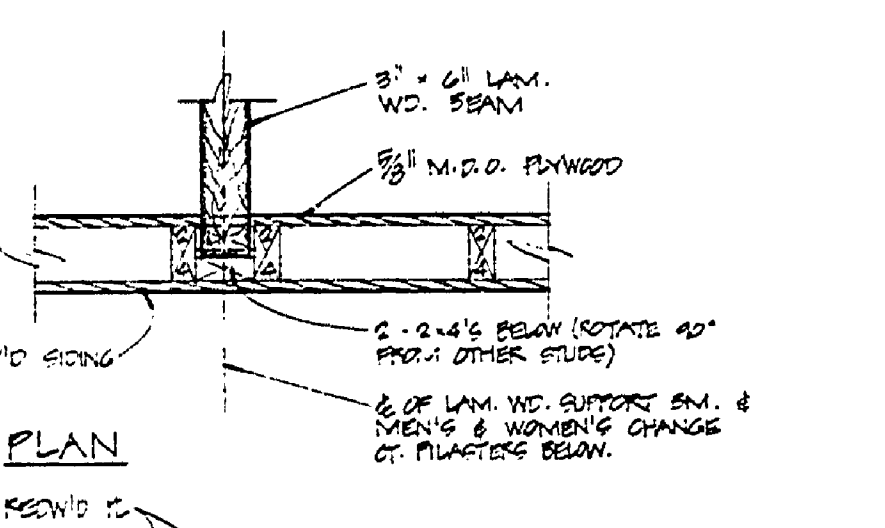
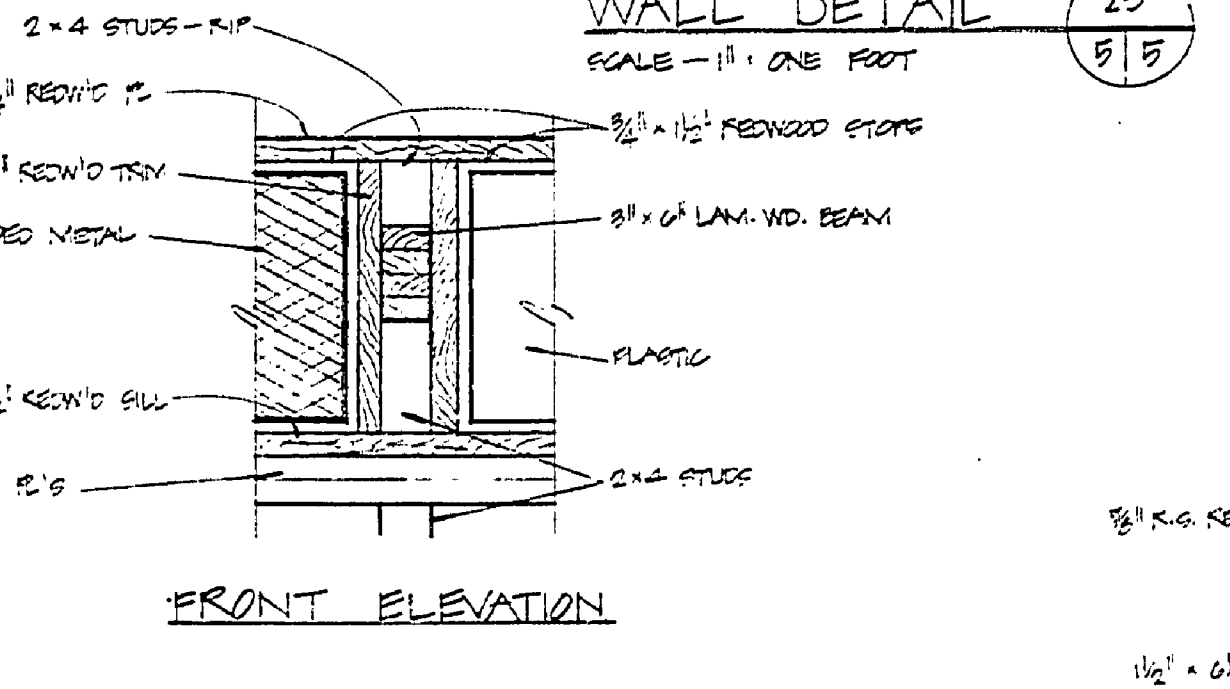
**LAM. BEAM DETAILS (CONN. F)**  
SCALE - 1/2" = ONE FOOT



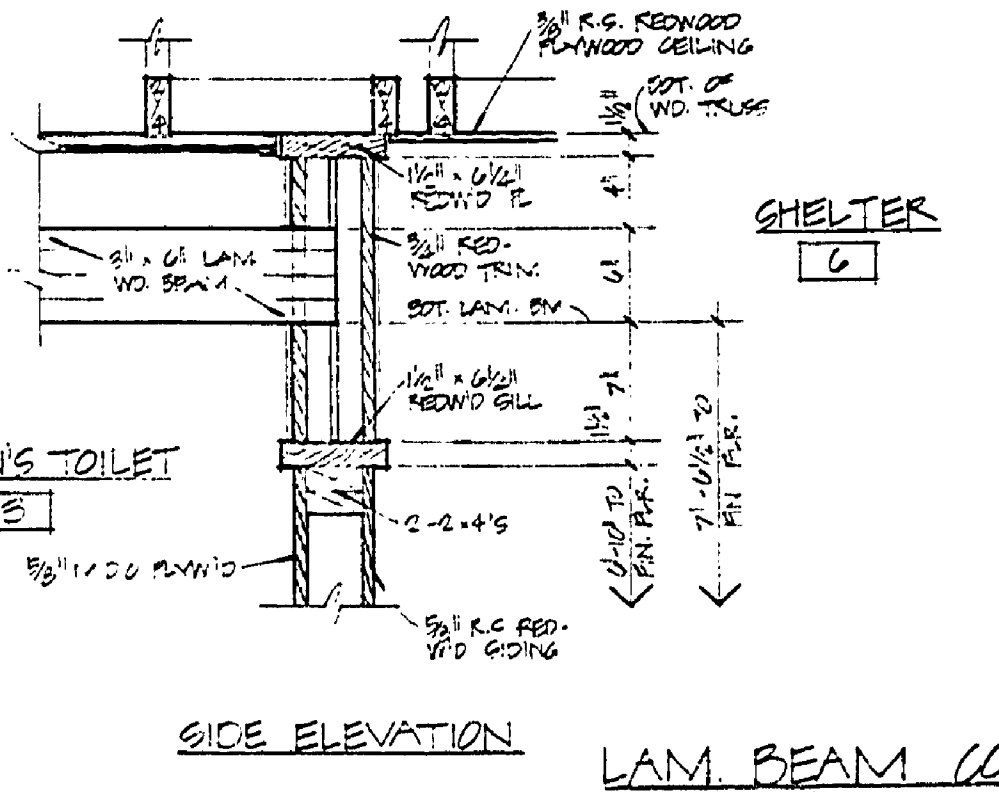
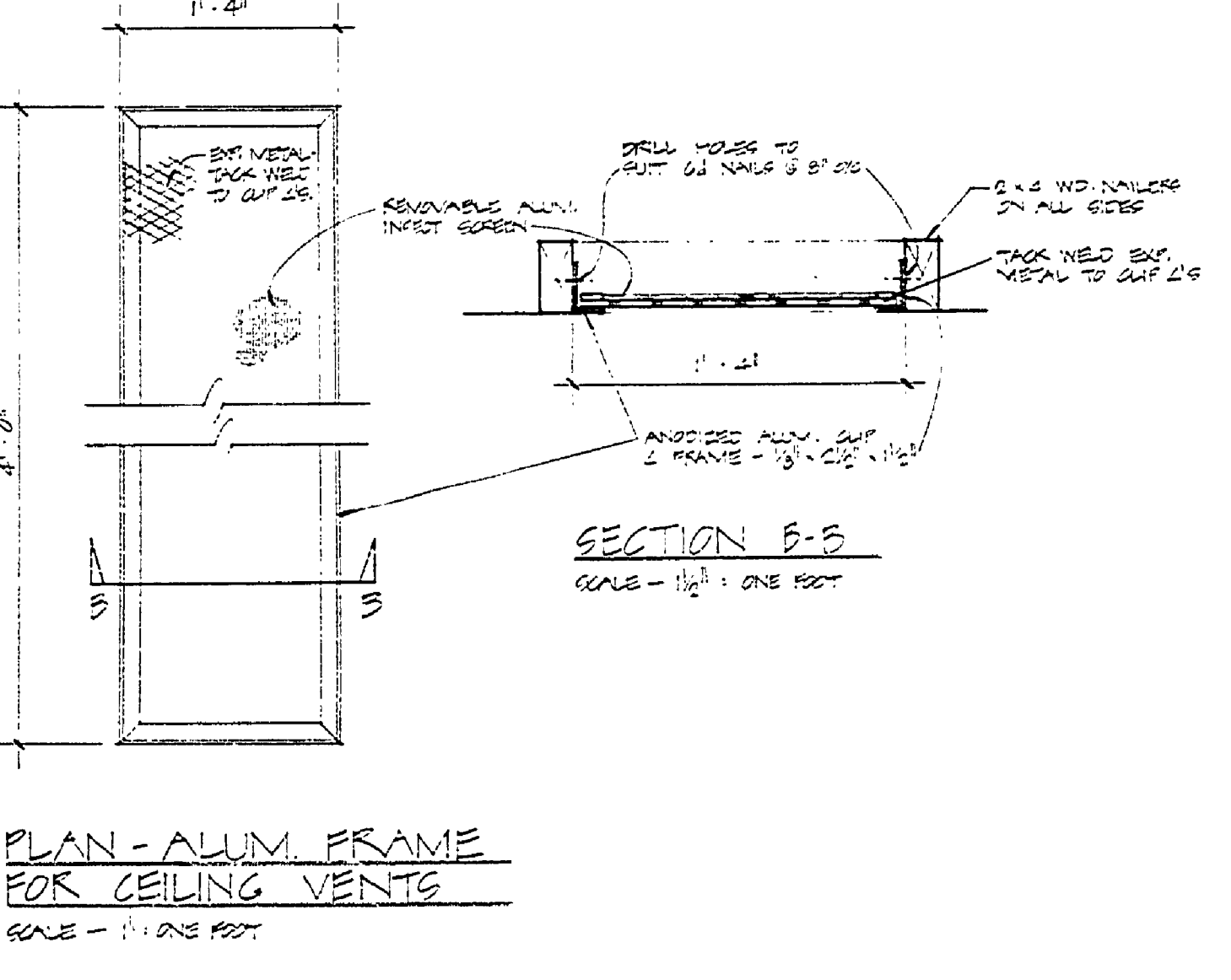
**BEAM CONN. "B"**  
SCALE - 1/2" = ONE FOOT



**LAM. BEAM CONN. - WOMEN'S TOILET**  
SCALE - 1" = ONE FOOT



**BEAM CONN. "A"**  
SCALE - 1/2" = ONE FOOT  
SEE PLAN FOR LOCATION OF CONN. "A"



**LAM. BEAM CONN. - MEN'S & WOMEN'S CHANGE CT.**  
SCALE - 1" = ONE FOOT

**LAM. BEAM CONN. - WOMEN'S TOILET**  
SCALE - 1" = ONE FOOT

SURVEYED BY		DRAWN BY G. C. M.		NO. DATE BY		REVISIONS		NO. DATE BY		REVISIONS		MICHIGAN DEPARTMENT OF NATURAL RESOURCES		SECTION 5 & WALL DETAILS SHEET TITLE		CLEAR LK. STATE PARK AREA OR PARK PROJECT NO. 22-5582	
DESIGNED BY G. C. M. <td colspan="2">CHECKED BY T.M. <td colspan="2">DATE <td colspan="2">DATE <td colspan="2">DATE <td colspan="2">DATE <td colspan="2">PROJECT <td colspan="2">SHEET 5 OF 6</td> <td colspan="2">PLAN NO. A-102</td> </td></td></td></td></td></td>		CHECKED BY T.M. <td colspan="2">DATE <td colspan="2">DATE <td colspan="2">DATE <td colspan="2">DATE <td colspan="2">PROJECT <td colspan="2">SHEET 5 OF 6</td> <td colspan="2">PLAN NO. A-102</td> </td></td></td></td></td>		DATE <td colspan="2">DATE <td colspan="2">DATE <td colspan="2">DATE <td colspan="2">PROJECT <td colspan="2">SHEET 5 OF 6</td> <td colspan="2">PLAN NO. A-102</td> </td></td></td></td>		DATE <td colspan="2">DATE <td colspan="2">DATE <td colspan="2">PROJECT <td colspan="2">SHEET 5 OF 6</td> <td colspan="2">PLAN NO. A-102</td> </td></td></td>		DATE <td colspan="2">DATE <td colspan="2">PROJECT <td colspan="2">SHEET 5 OF 6</td> <td colspan="2">PLAN NO. A-102</td> </td></td>		DATE <td colspan="2">PROJECT <td colspan="2">SHEET 5 OF 6</td> <td colspan="2">PLAN NO. A-102</td> </td>		PROJECT <td colspan="2">SHEET 5 OF 6</td> <td colspan="2">PLAN NO. A-102</td>		SHEET 5 OF 6		PLAN NO. A-102	