

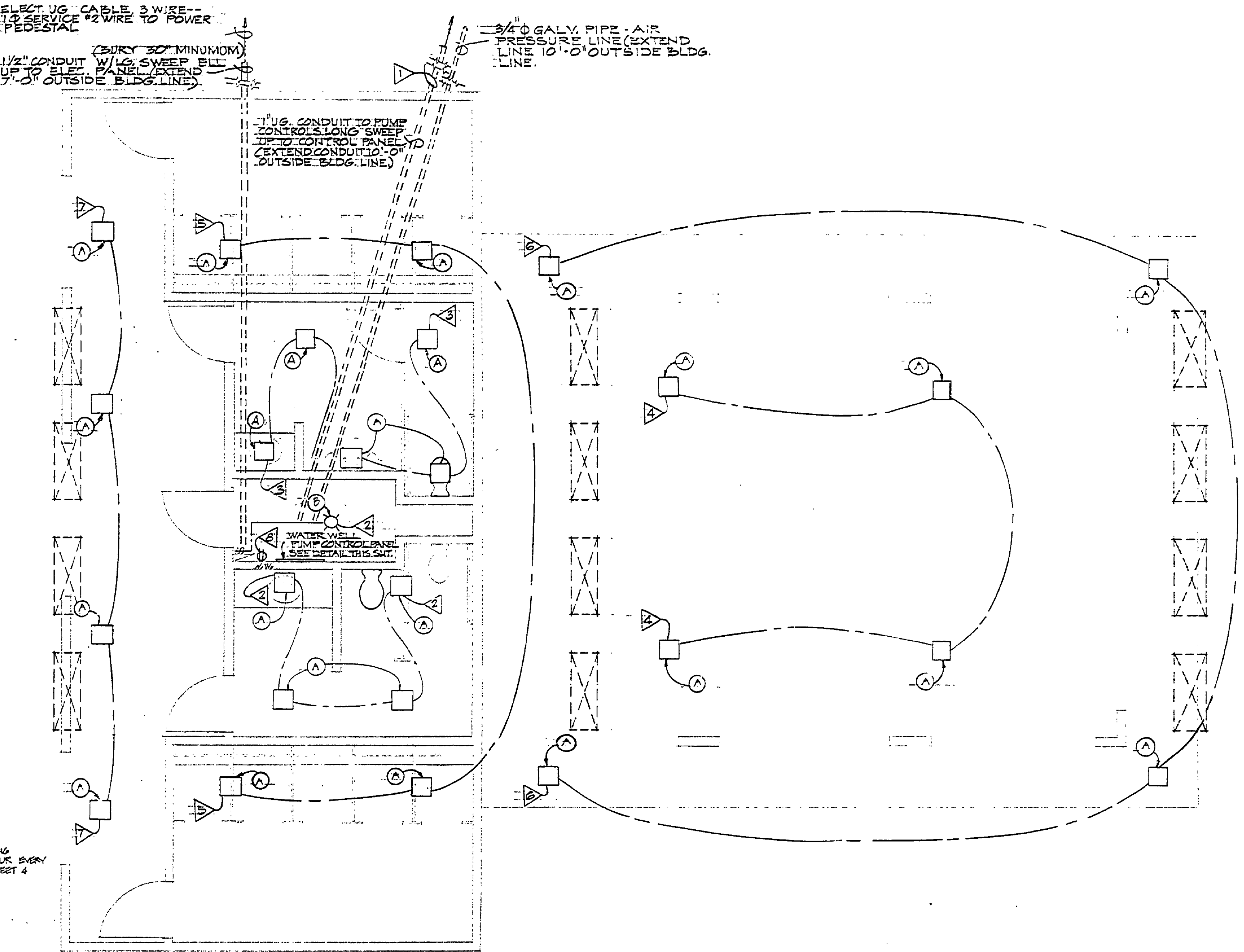
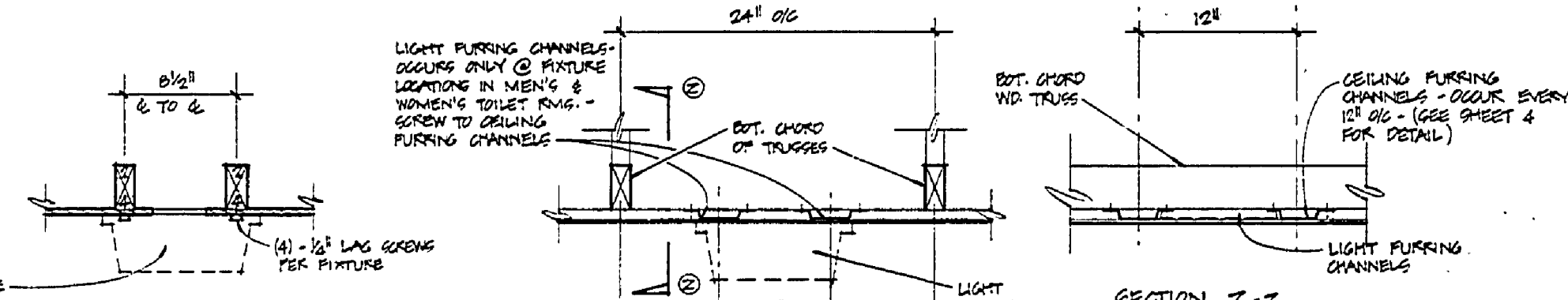
PLUMBING - LEGEND

SYMBOLS	ABBREVS	DESCRIPTION
T	C.S.	CAPPED STANDPIPE
---	C.W.	COLD WATER LINE
⊥	D.C.	DRAIN COCK
□	F.	FILTER
⊥	H.B.	HOSE BIBB
LAV.	LAV.	LAVATORY
Δ	S.O.	SHUT-OFF VALVE
---	U.G.	UNDERGROUND
W.C.	W.C.	WATER CLOSET

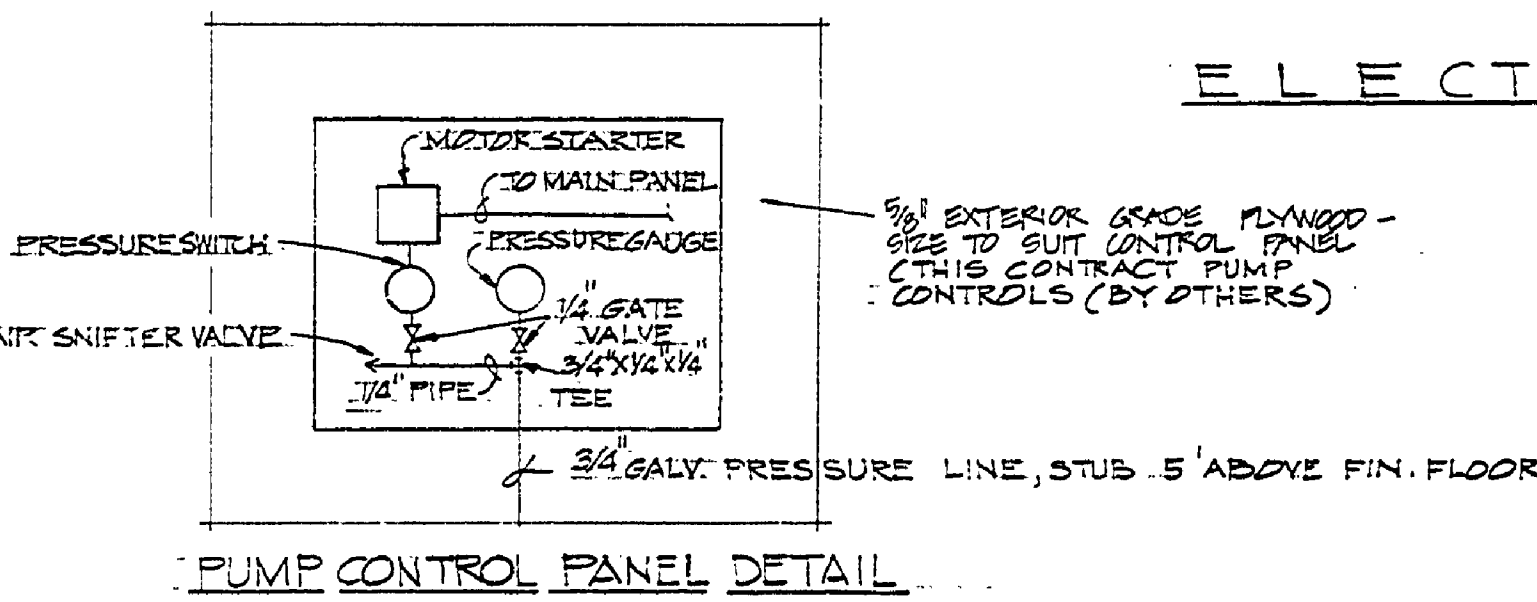
WATER SUPPLY PLAN
SCALE - 1/4" = ONE FOOT

LIGHT FIXTURE INSTALLATION @ DRESS. CTG. PASSAGE, SHELTER
SCALE: 1/4" = 1'-0"

LIGHT FIXTURE INSTALLATION @ MEN'S & WOMEN'S TOILET RMS.
SCALE: 1/4" = 1'-0"

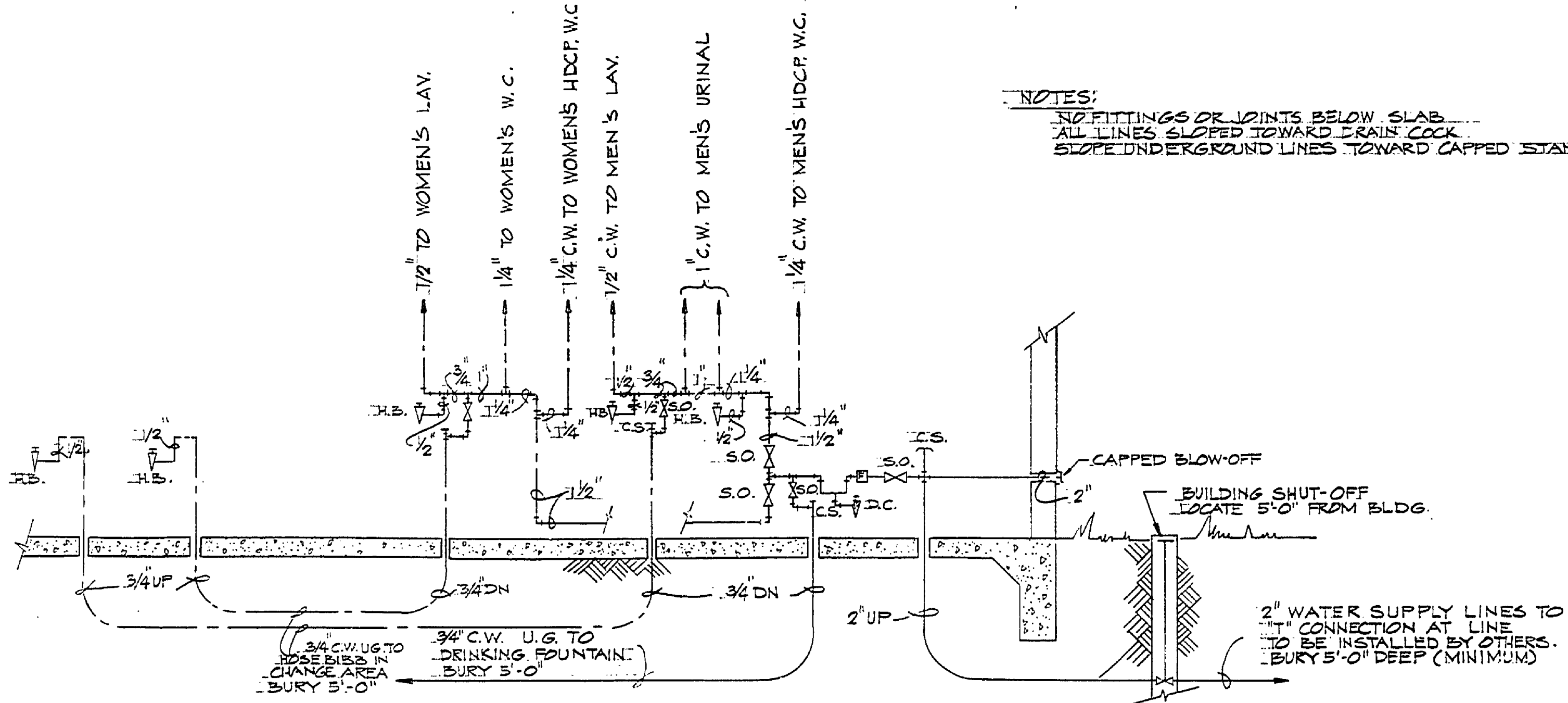


ELECTRICAL PLAN
SCALE: 1/4" = 1'-0"



PUMP CONTROL PANEL DETAIL

NOTES:
FITTINGS OR JOINTS BELOW SLAB - TO BE INSTALLED BY OTHERS UNDER SEPARATE CONTRACT.
ALL LINES SLOPED TOWARD DRAIN COCK
SLOPE UNDERGROUND LINES TOWARD CAPPED STANDPIPE

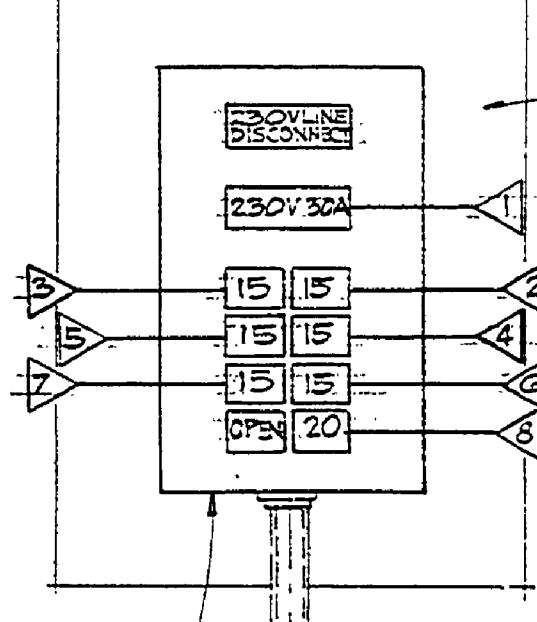


RISER DIAGRAM
N.T.S.

ELECT. PANEL SCHEDULE

CIRCUIT NO.	VOLTS	REMARKS
1	230V.	WATER WELL PUMP (2HP)
2	115V.	LIGHTING - WOMEN'S TOILET PIPE ALLEY
3	115V.	LIGHTING - MEN'S TOILET
4	115V.	LIGHTING - EXTERIOR SHELTER AREA
5	115V.	LIGHTING - CHANGE AREA
6	115V.	NIGHT LIGHTS - SHELTER AREA
7	115V.	LIGHTING - ENTRANCE
8	115V.	CONV. OUTLET - PIPE ALLEY

ELECT. SERVICE PANEL



ELECT - LEGEND

SYMBOLS	DESCRIPTION	ABBREVS	DESCRIPTION
○	CONVENIENCE OUTLET	R.W.	ONLY OUTLET 5'-0" ABOVE FIN. FLOOR CEILING
○	LIGHT FIXTURE IDENT. NO.		
○	ELECT. PANEL CIRCUIT NO.		
□	100 AMP LOAD CENTER		
⊥	LIGHTING SWITCH		

LIGHTING FIXTURE SCHEDULE

MARK NO. REQ.	MFG.	CATS. NO.	WATTAGE	REMARKS	LOCATION
A - 26	KENALL	8808	6 - 75W FLUO.	FLUSH MTD.	TOILETS & EXTERIOR
B - 1	STD. PAPERMAN		1 - 100W INCAN.	CEILING MTD.	PIPE ALLEY

SURVEYED BY	DRAWN BY: DDP	4/75	NO. DATE BY	REVISIONS	NO. DATE BY	REVISIONS	MICHIGAN DEPARTMENT OF NATURAL RESOURCES	WATER SUPPLY & ELECTRICAL	CLEAR LK. STATE PARK AREA OR PARK	PROJECT NO. 02-3582
DESIGNED BY: M. LECLAIRE	CHECKED BY: M. LECLAIRE	3/75	1. DATE		2. DATE			SHEET TITLE	TOILET & CHANGE COURT BUILDING PROJECT	SHEET 6 OF 6
			2. DATE		3. DATE					PLAN NO. A-102