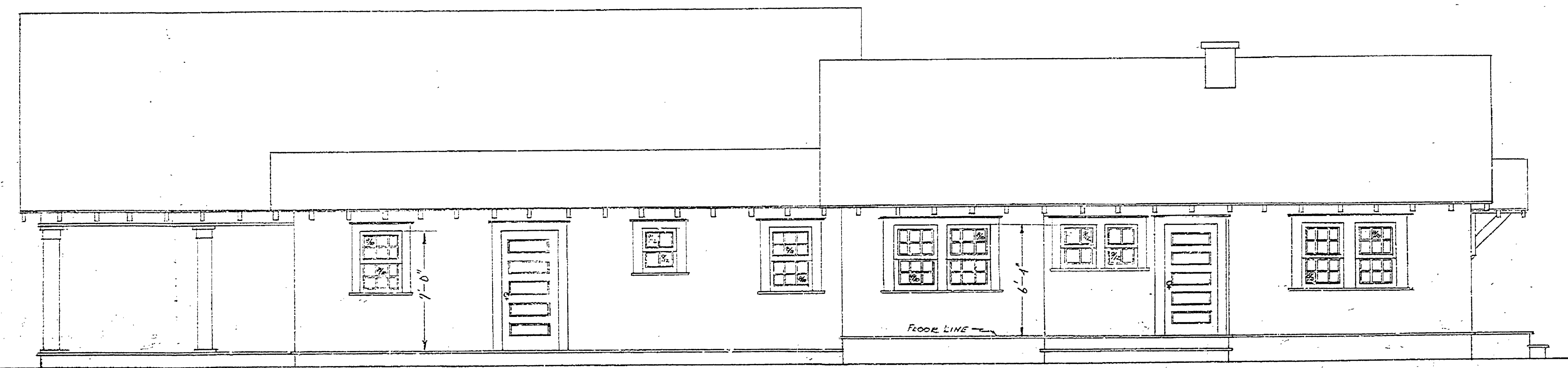
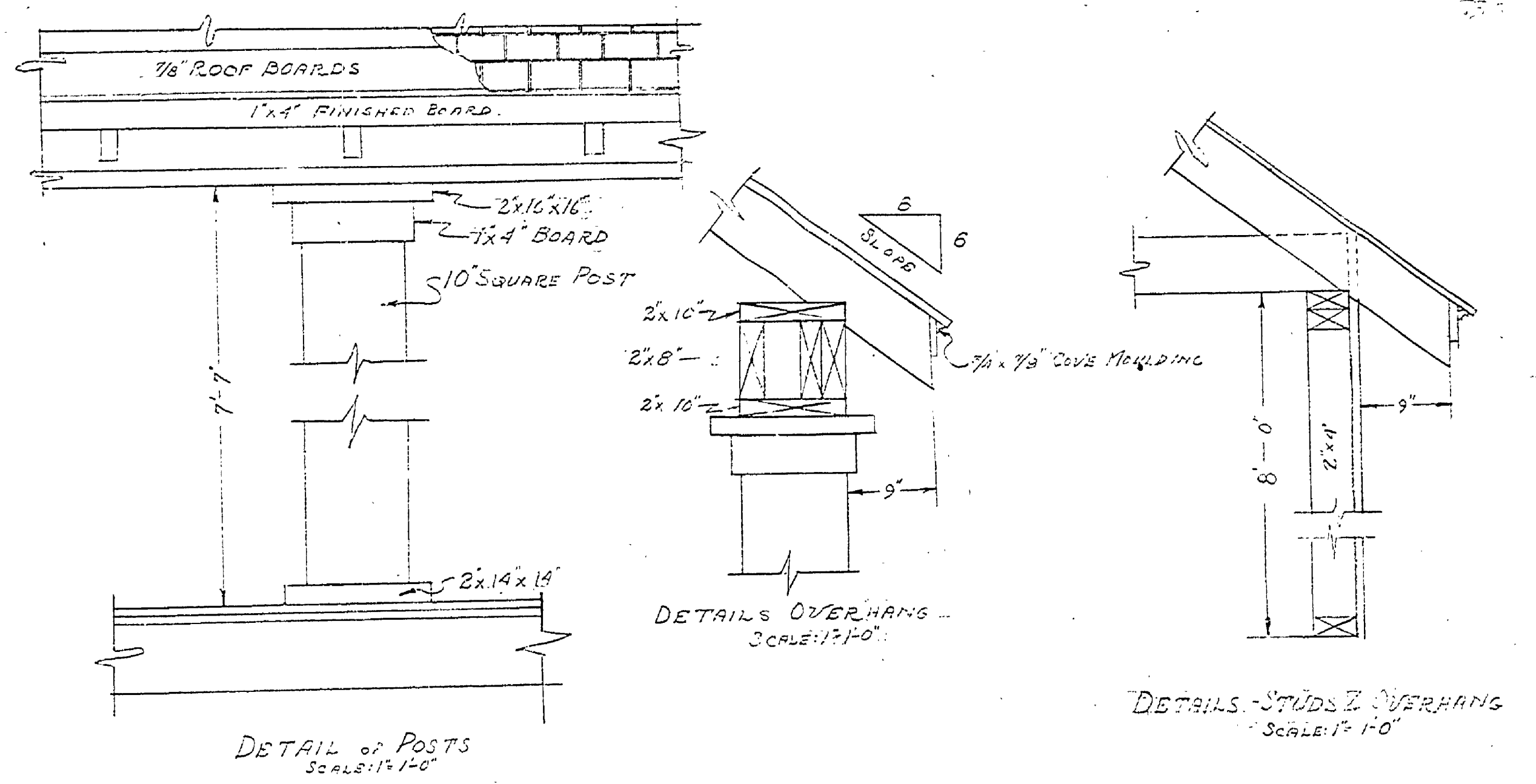


FOUNDATION PLAN  
SCALE: 1/4" = 1'-0"

WALL DETAILS  
SCALE: 1/4" = 1'-0"



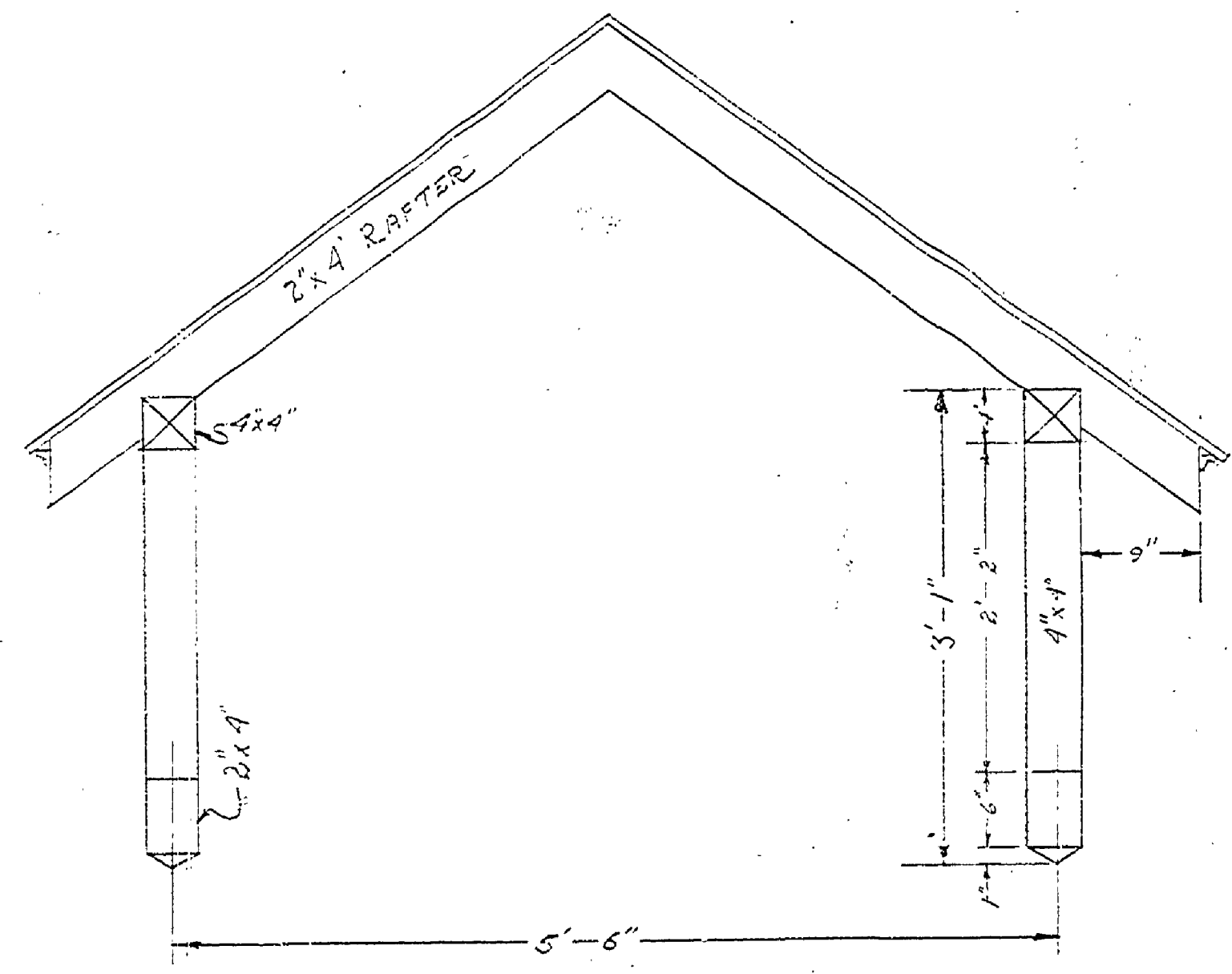
REAR ELEVATION  
SCALE: 1/4" = 1'-0"



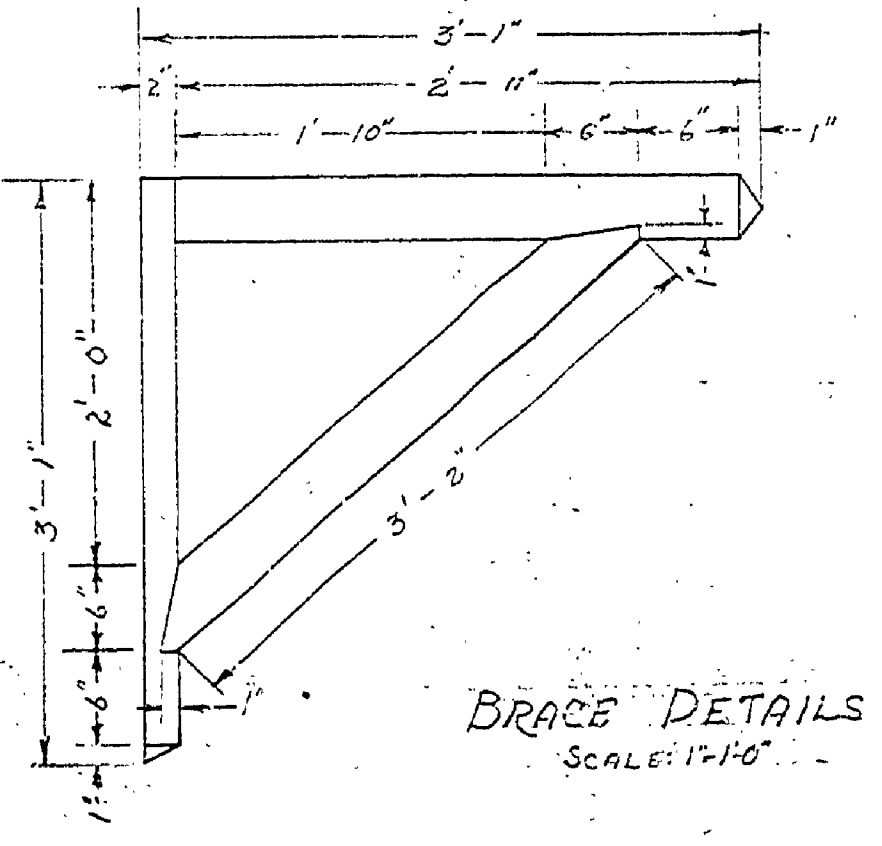
DETAIL OF POSTS  
SCALE: 1/2" = 1'-0"

DETAILS OVERHANG  
SCALE: 1/2" = 1'-0"

DETAILS - STUDS & OVERHANG  
SCALE: 1/2" = 1'-0"



ENTRANCE ROOF - DETAILS  
SCALE: 1/2" = 1'-0"



BRACE DETAILS  
SCALE: 1/2" = 1'-0"

PLAN of  
SHELTER & RESIDENCE  
DEPARTMENT OF CONSERVATION  
DIVISION OF STATE PARKS  
SCALE AS INDICATED  
3-12-31 A.M.S.-H.C.M.

INSURANCE NO. 1

Palms Book S.P.  
H-100  
P. 30 PAGE 2