

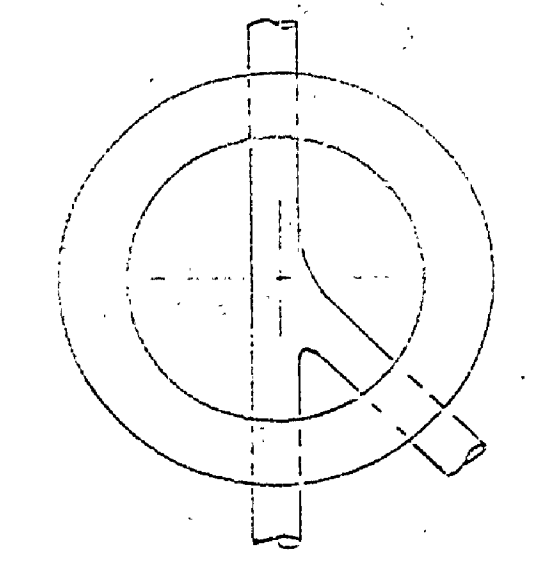
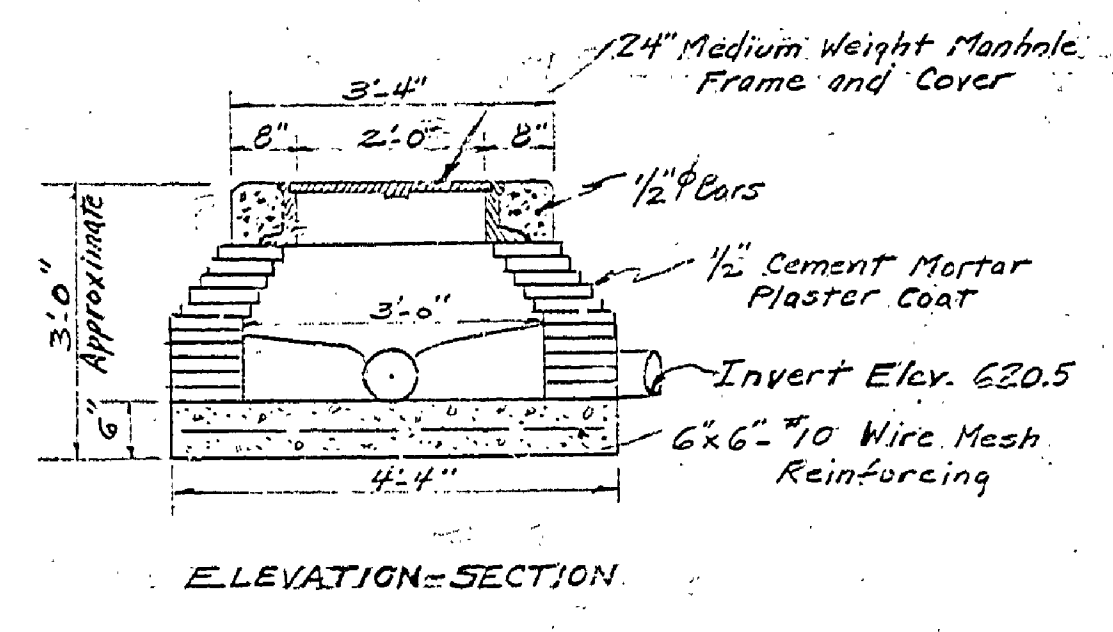
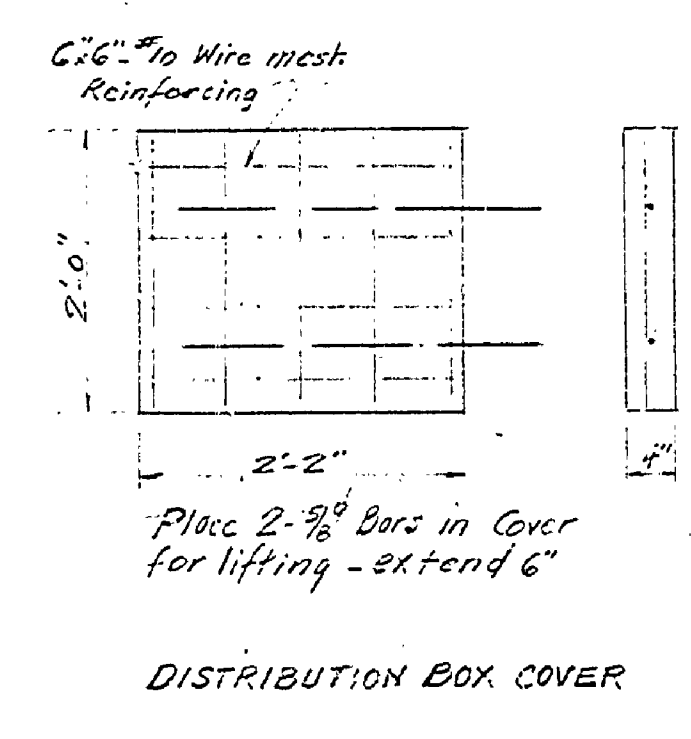
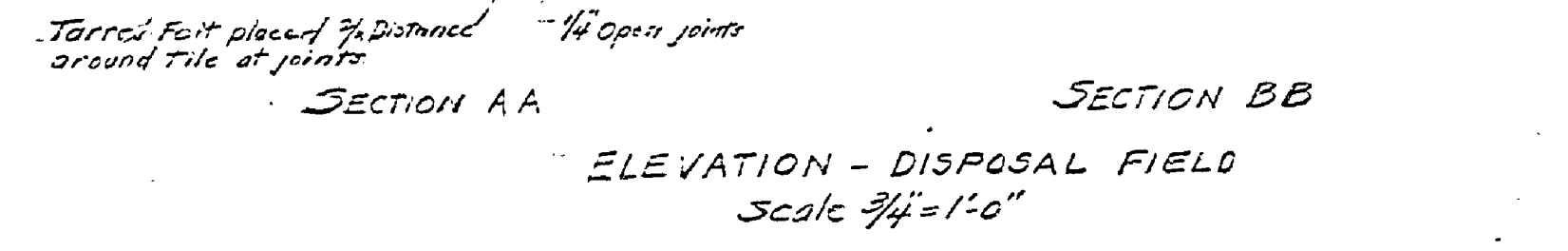
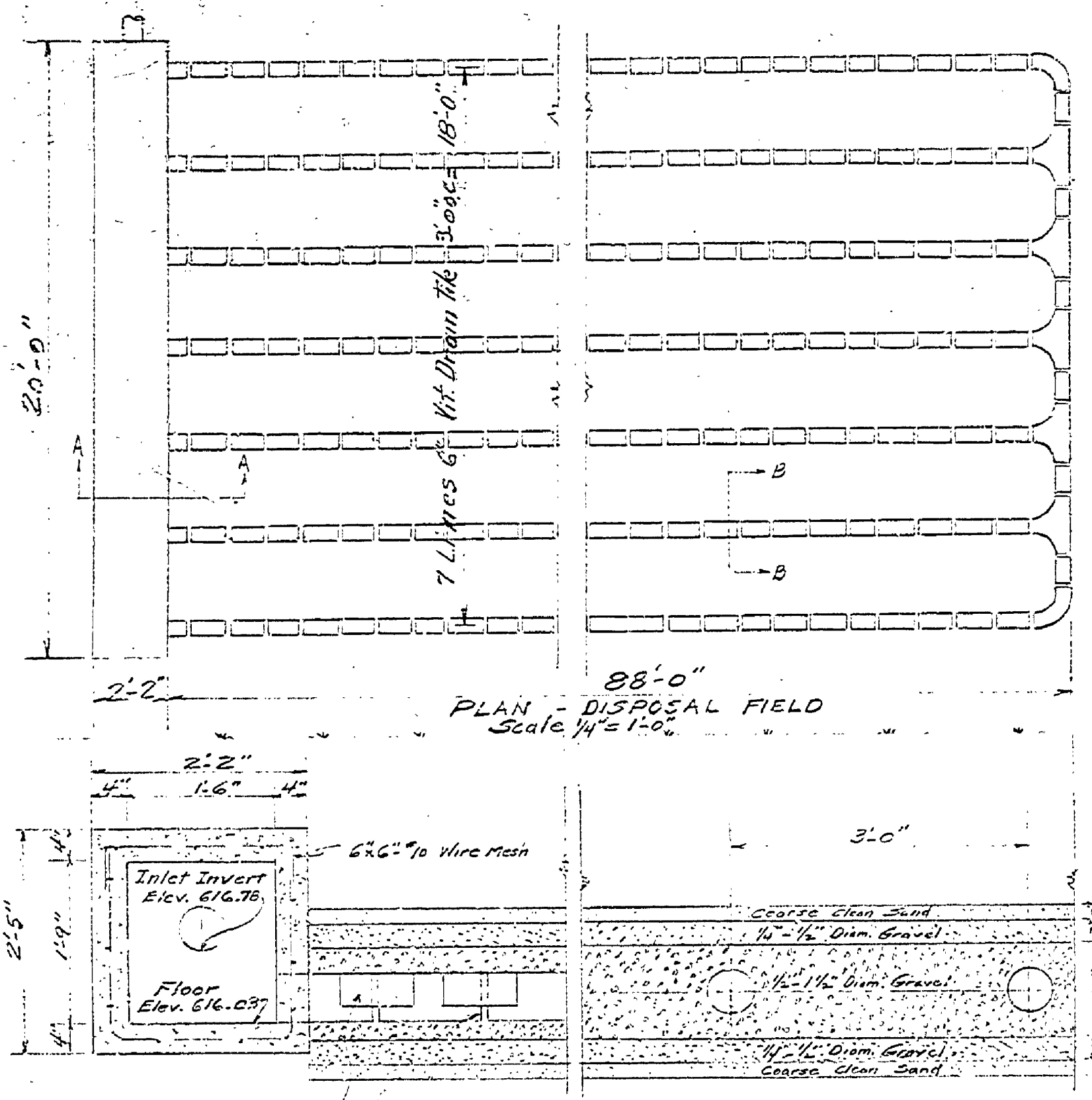
REVISIONS	DATE	BY
1		
2		
3		
4		
5		
6		

REVIEWED BY SECTIONS	DATE	APPROVED BY
ARCHITECTURAL	3-27-50	
ENGINEERING	4/14/50	
LANDSCAPE	3-27-50	

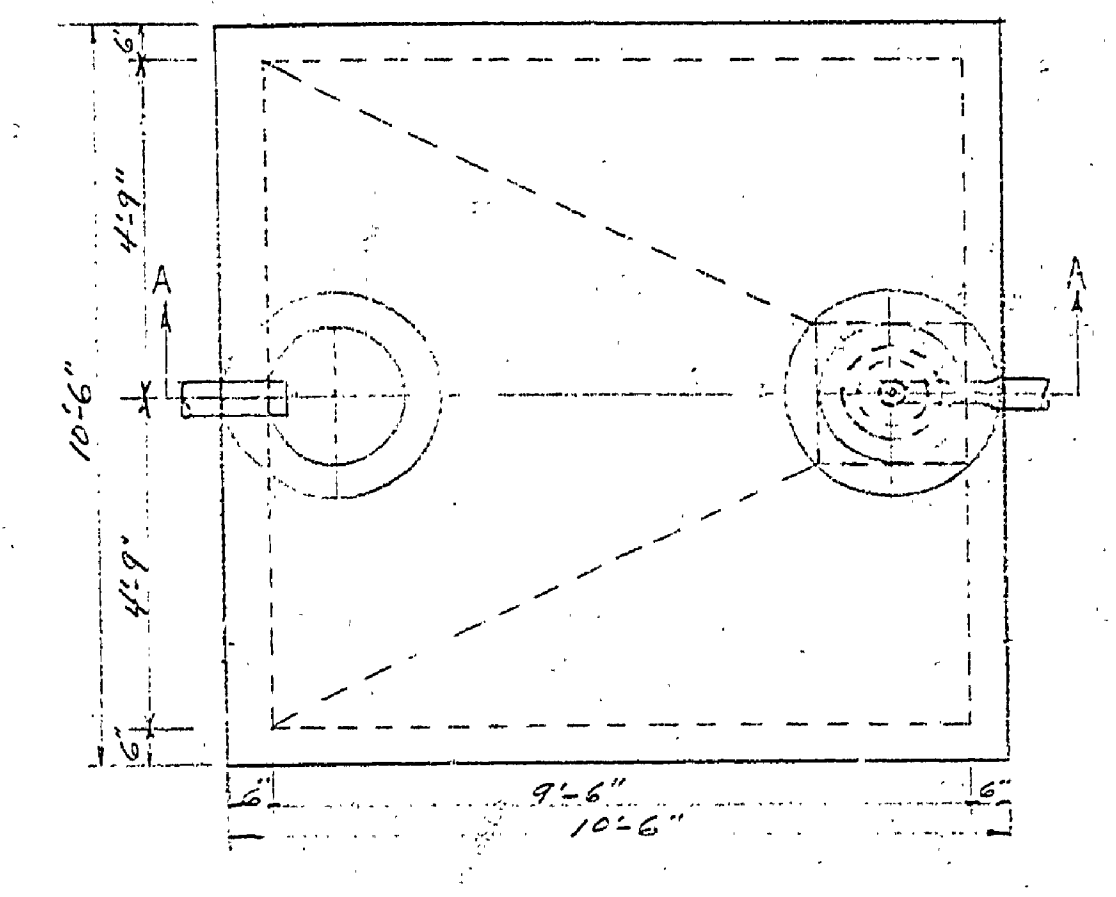
DRAWN BY	DATE	CHECKED BY
	3/23/50	

NO.	DATE	BY
1		
2		
3		

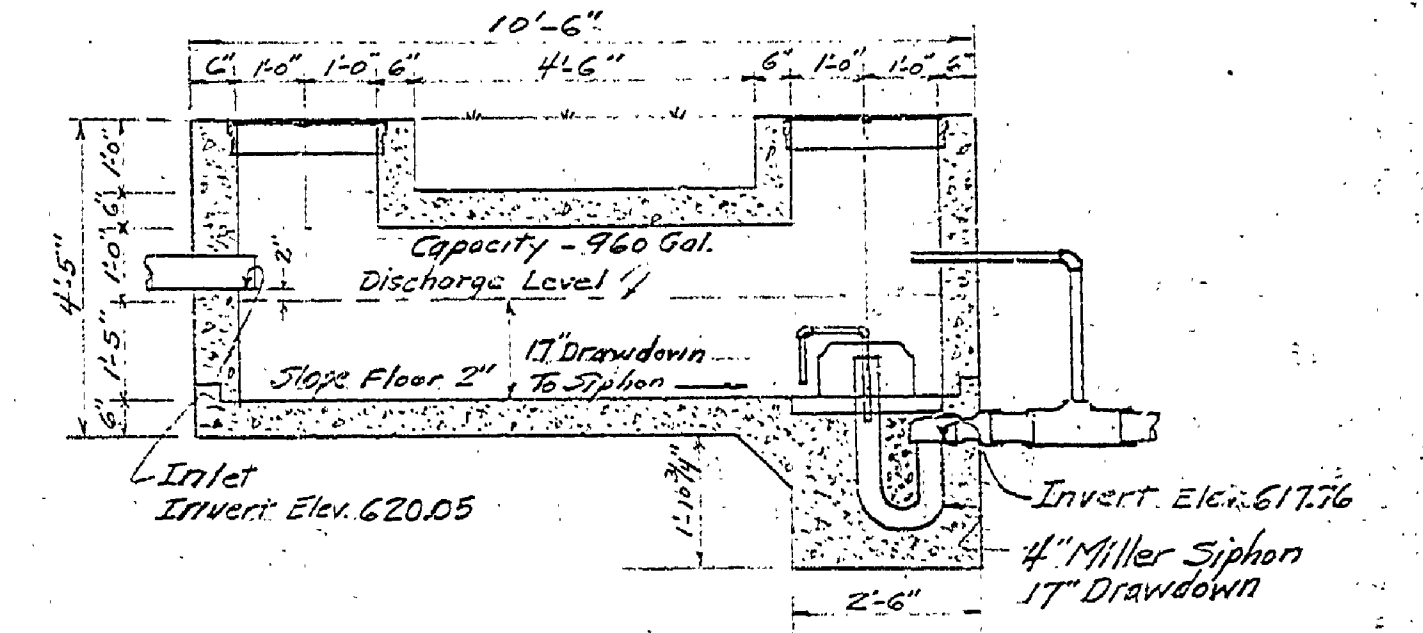
ASSISTANT CHIEF IN CHARGE	DATE



MANHOLE Scale 1/2"=1'-0"

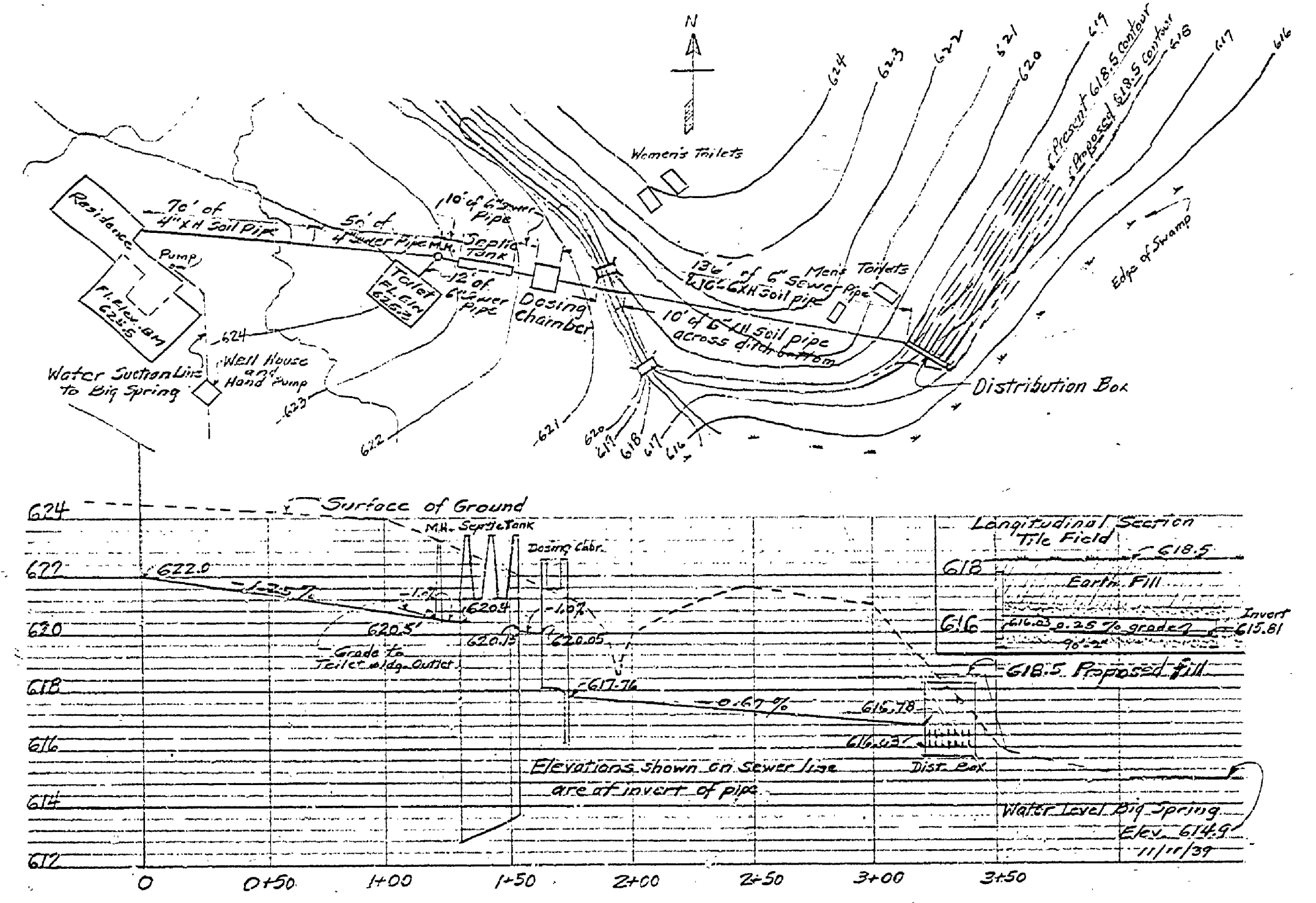


PLAN

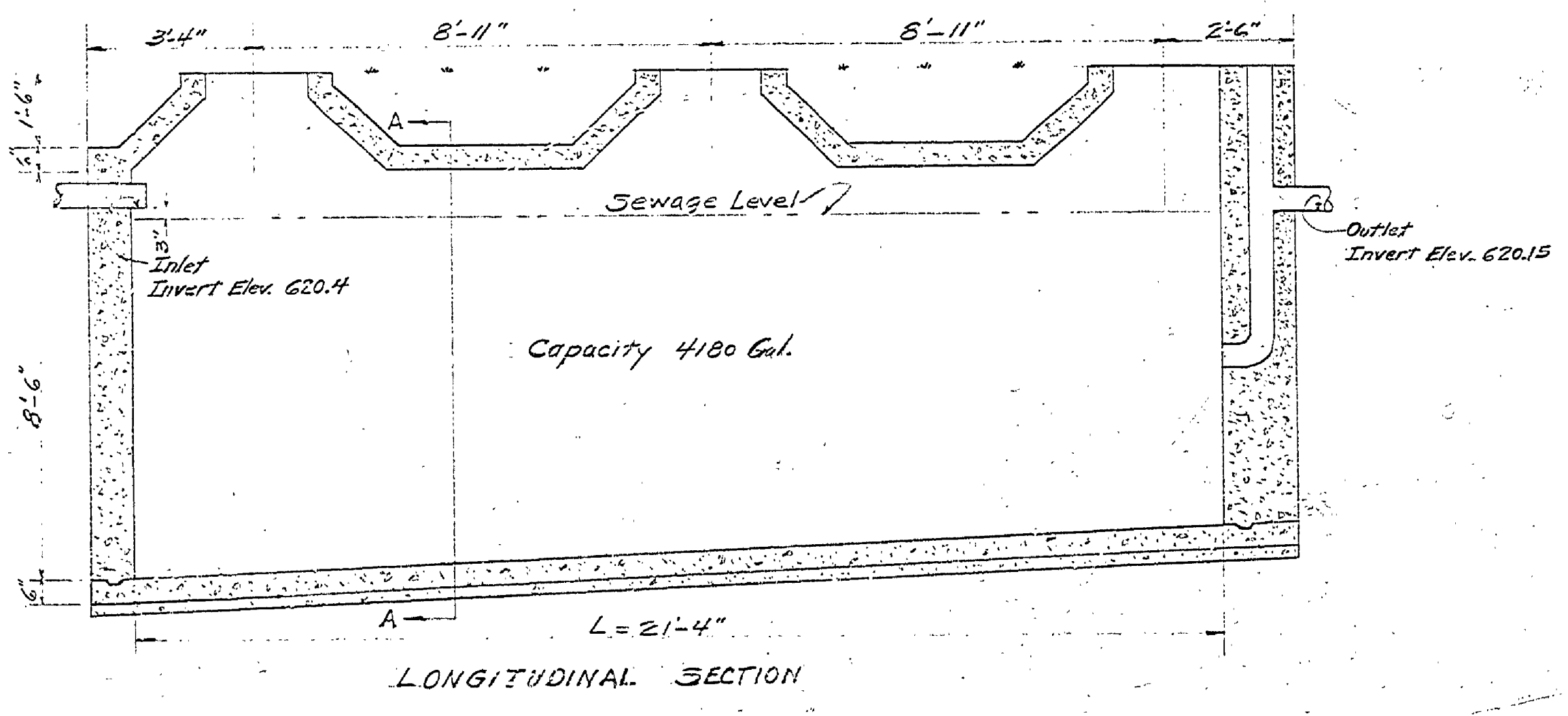
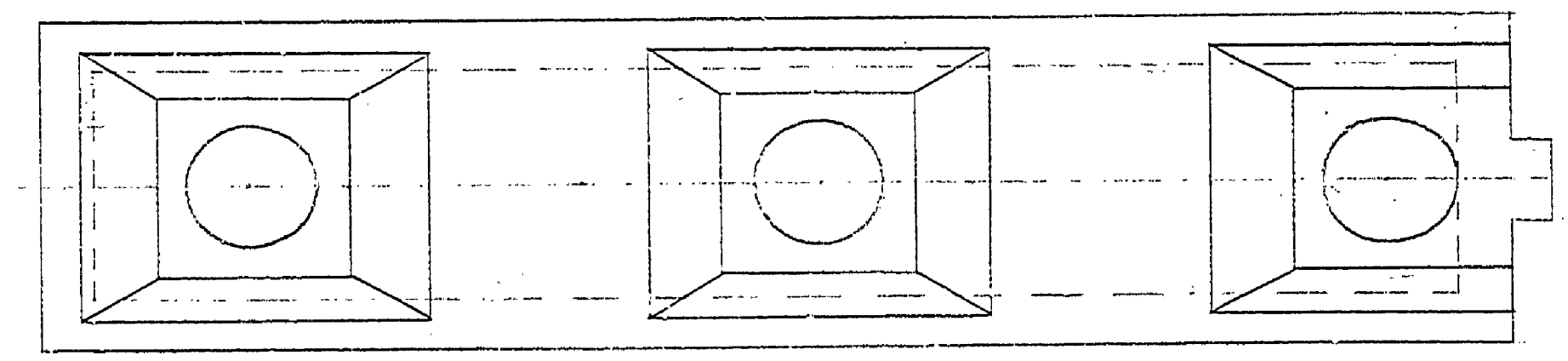


SECTION AA

DOSING CHAMBER Scale 3/8"=1'-0"

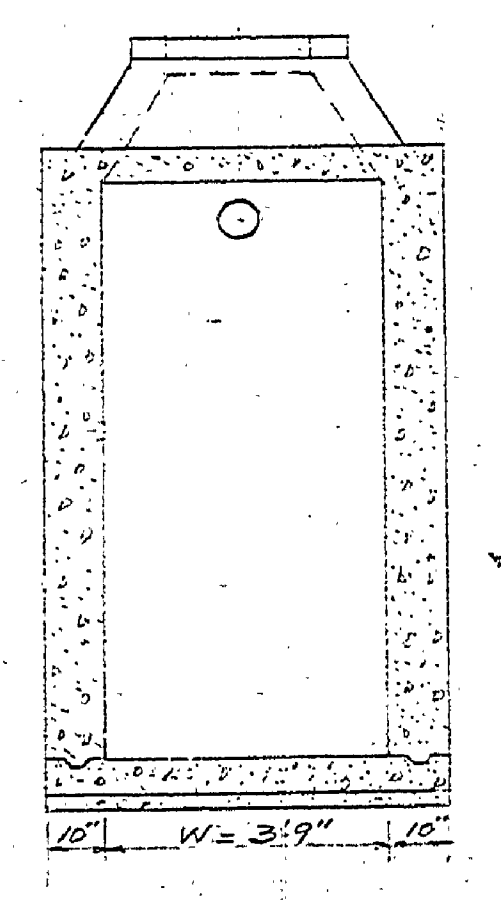


SEWER - PLAN & PROFILE Scale Horiz. - 1"=50' Vertical - 1"=4'



LONGITUDINAL SECTION

SEPTIC TANK Scale 3/8"=1'-0"



SECTION AA