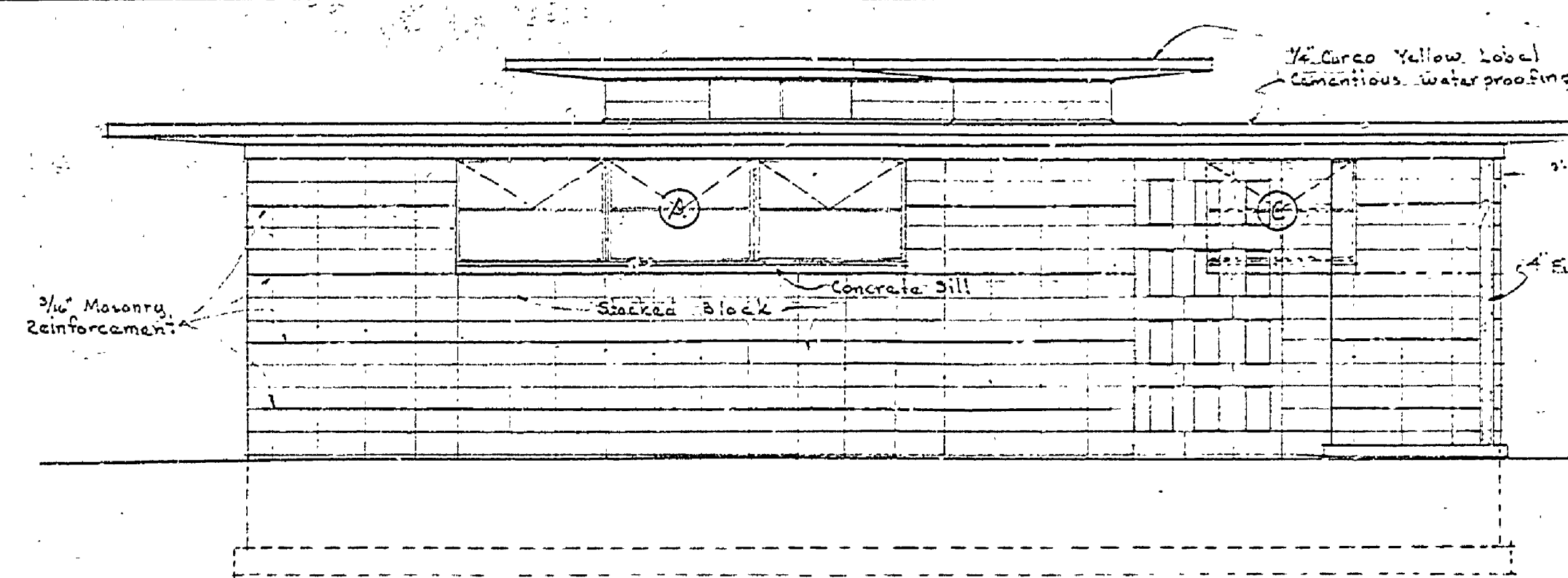


DATE	BY	REVISIONS
		4
		5
		6

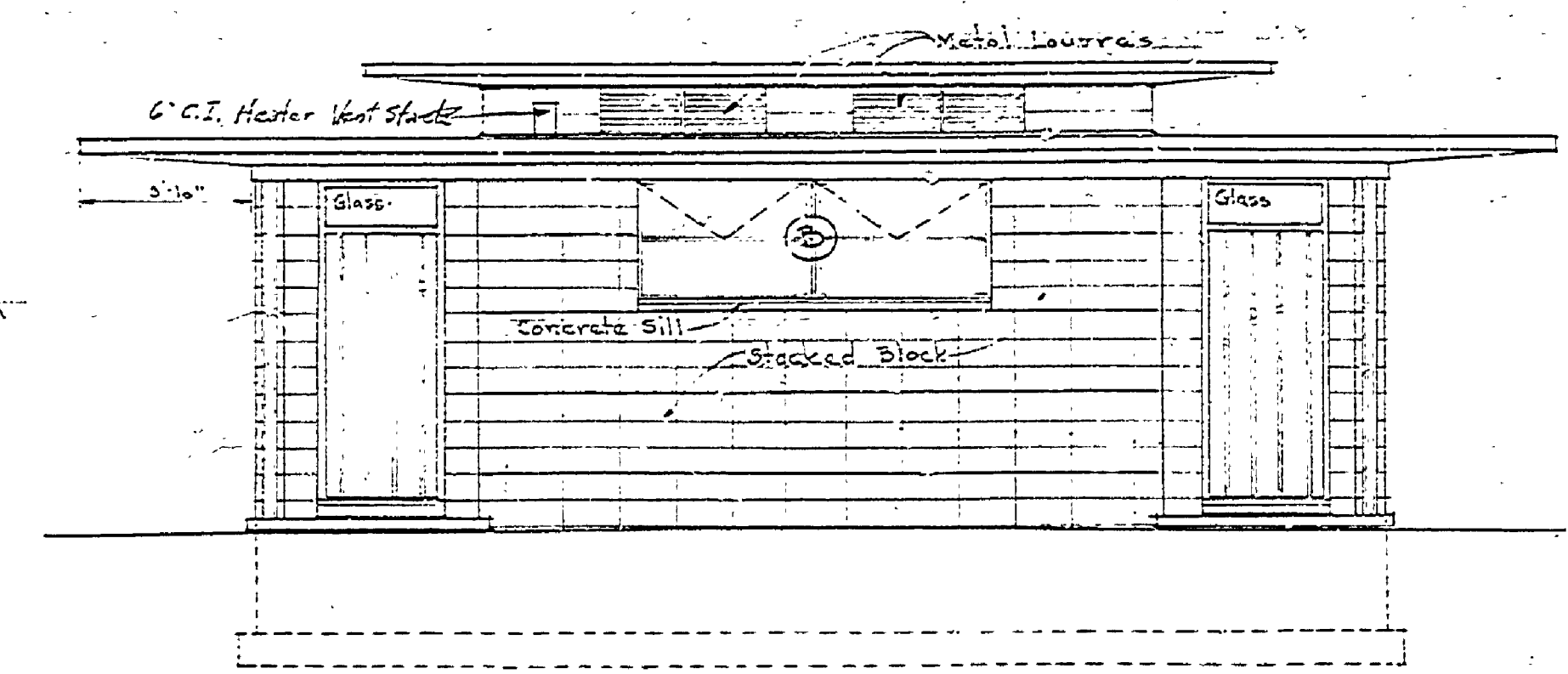
NO.	DATE	BY
1		
2		
3		

APPROVED BY	DATE	REVIEWED BY SECTIONS
<i>A.C. McLaughlin</i>	10-7-52	J.H.P.
ASSISTANT CHIEF IN CHARGE		J.H.P.
OF DESIGN	DATE	J.H.P.
	10-7-52	

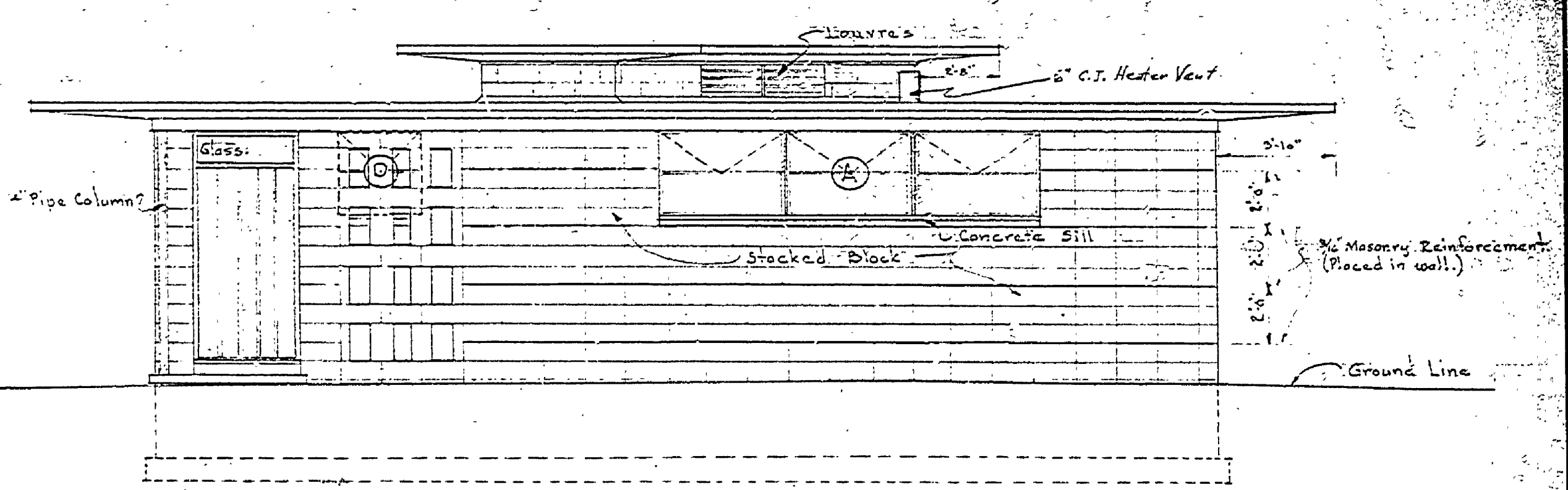
DRAWN BY	TRACED BY	CHECKED BY
J.W.F.	J.W.F.	J.W.F.
ARCHITECTURAL	LANDSCAPE	



WEST ELEVATION
Scale 1/4" = 1'-0"

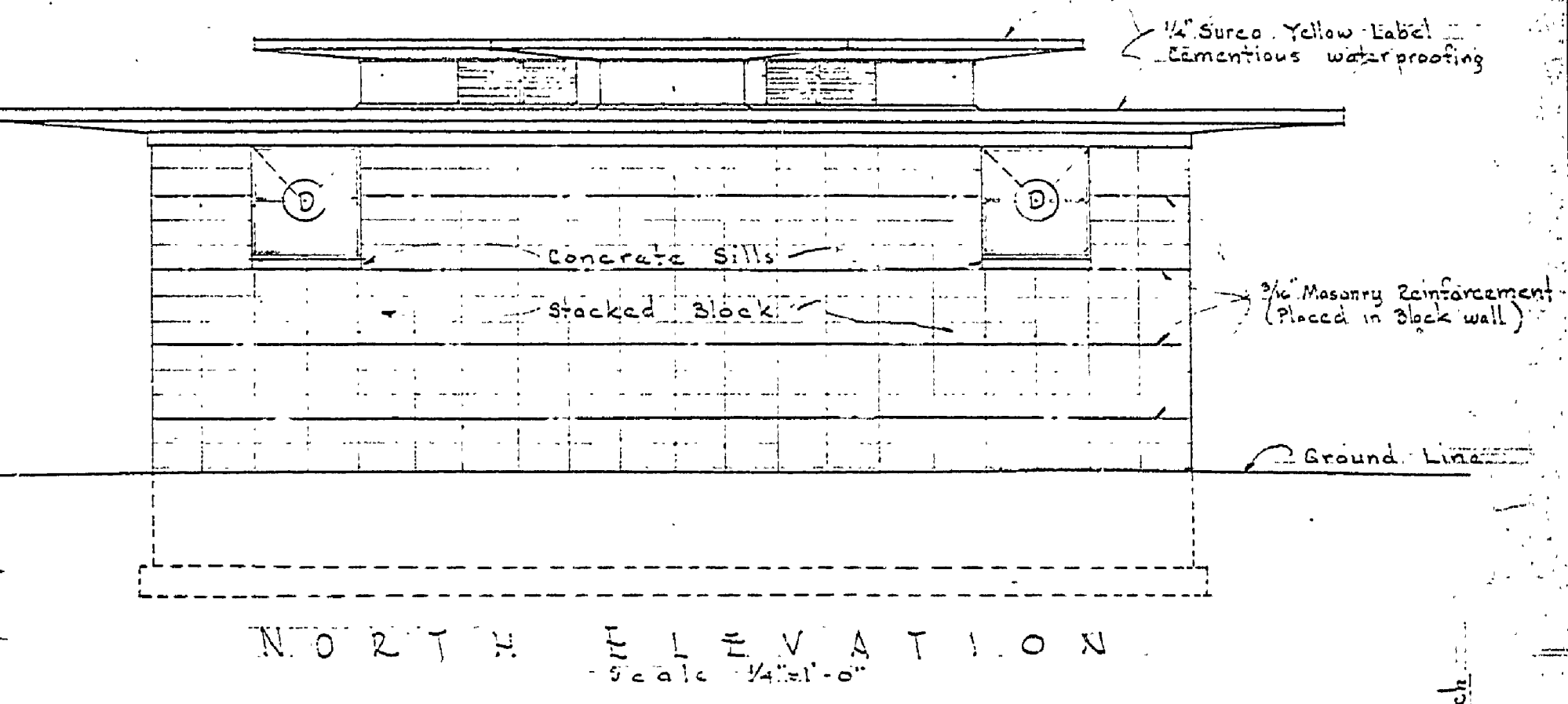
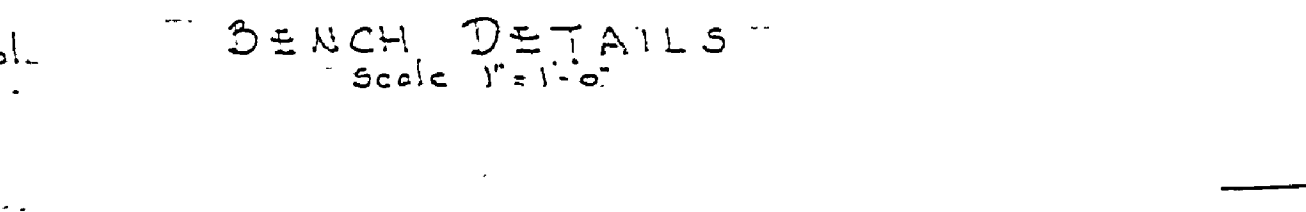
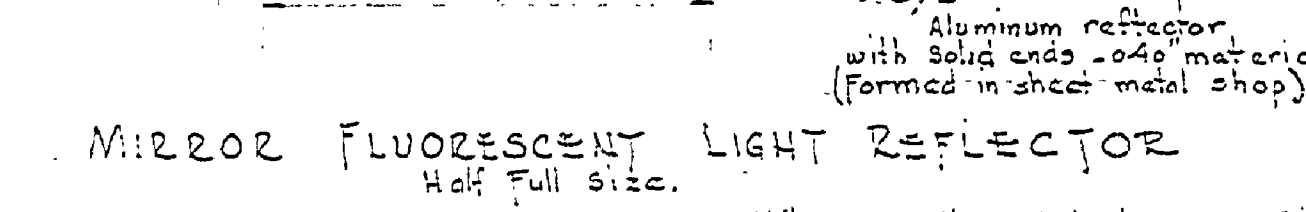
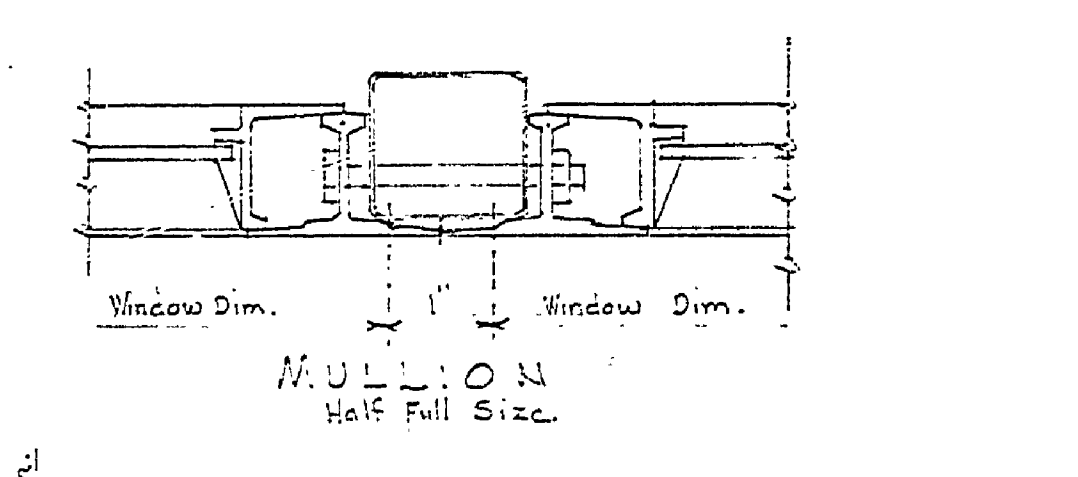
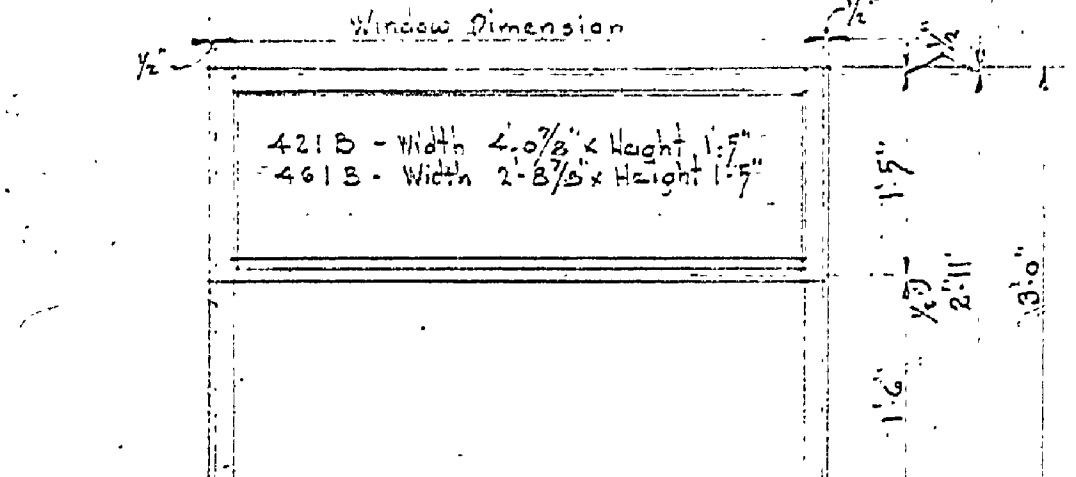


SOUTH ELEVATION
Scale 1/4" = 1'-0"

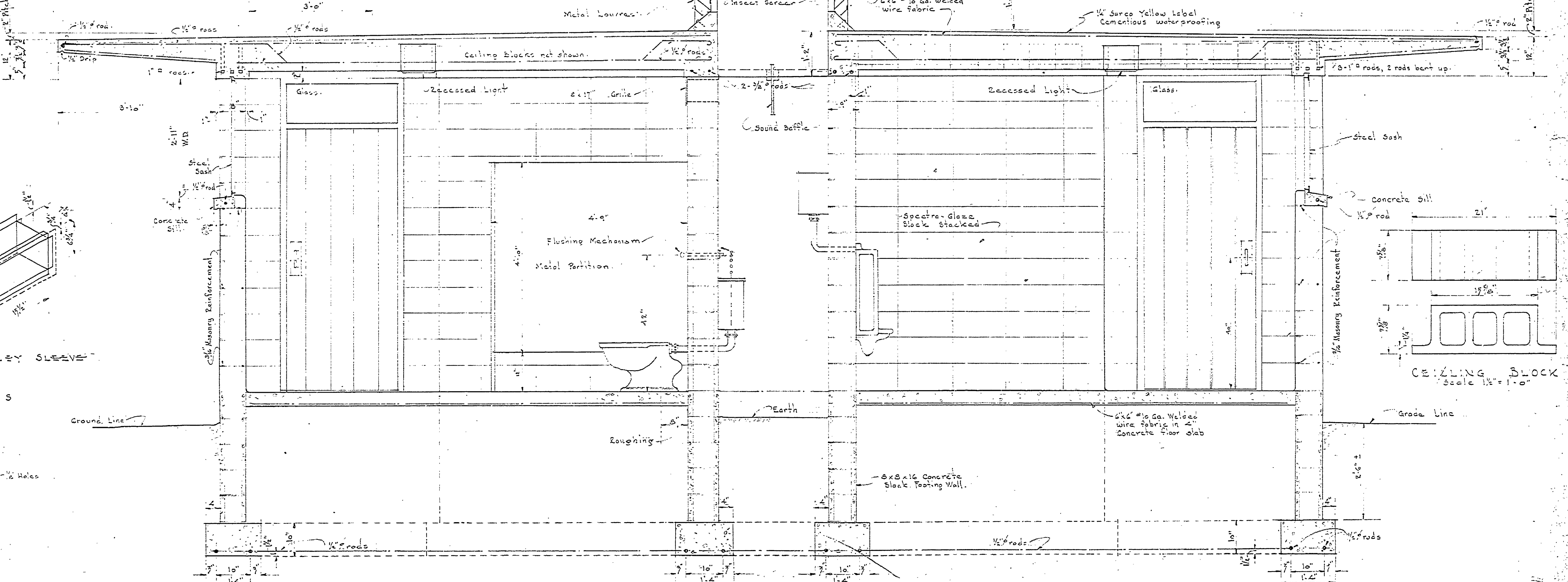
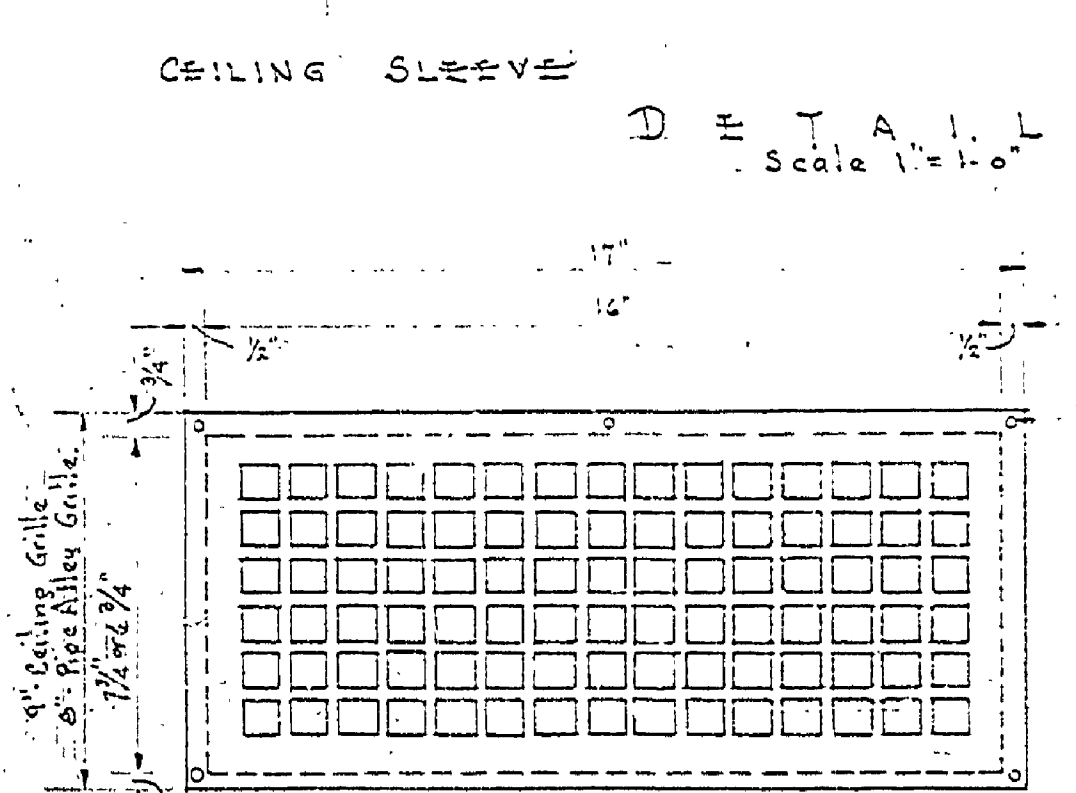
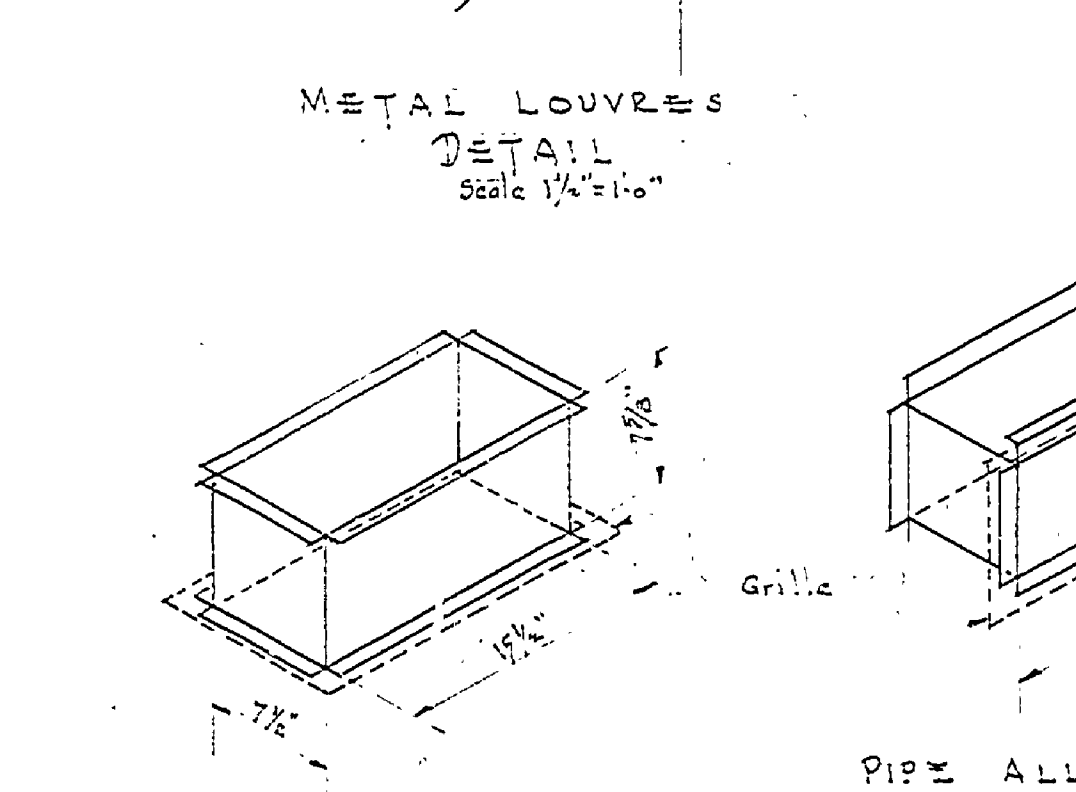
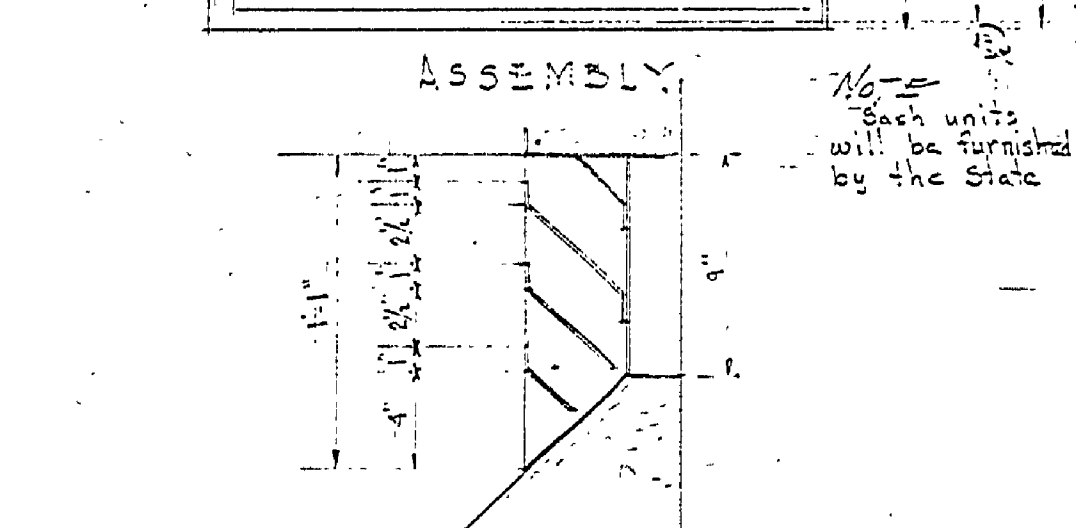


EAST ELEVATION
Scale 1/4" = 1'-0"

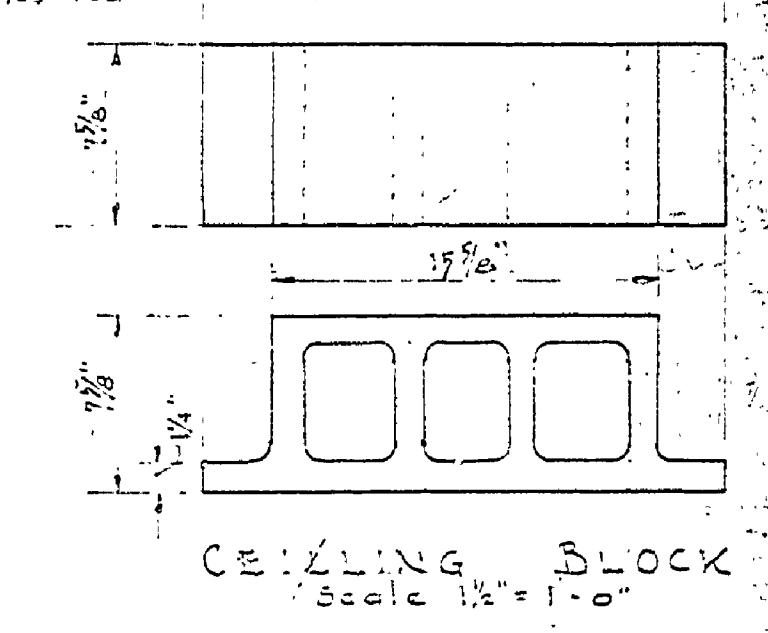
NO.	OP.	CATALOGUE No.	WIDTH	HEIGHT	No. LIGHTS	MULLIONS	FIXED	VENTED	SCREENS	REMARKS
A	2	421-B (3 Units)	12'-2 1/2"	2'-11"	6	2 Vert. Mull.				
B	1	421-B (2 Units)	8'-2 1/2"	2'-11"	4	1 Vert. Mull.				
C	1	421-B (1 Unit)	4'-2 1/2"	2'-11"	2	None				
D	3	421-B (1 Unit)	2'-2 1/2"	2'-11"	2	None				



NORTH ELEVATION
Scale 1/4" = 1'-0"



SECTION A-A
Scale 3/8" = 1'-0"



CEILING BLOCK
Scale 1 1/2" = 1'-0"