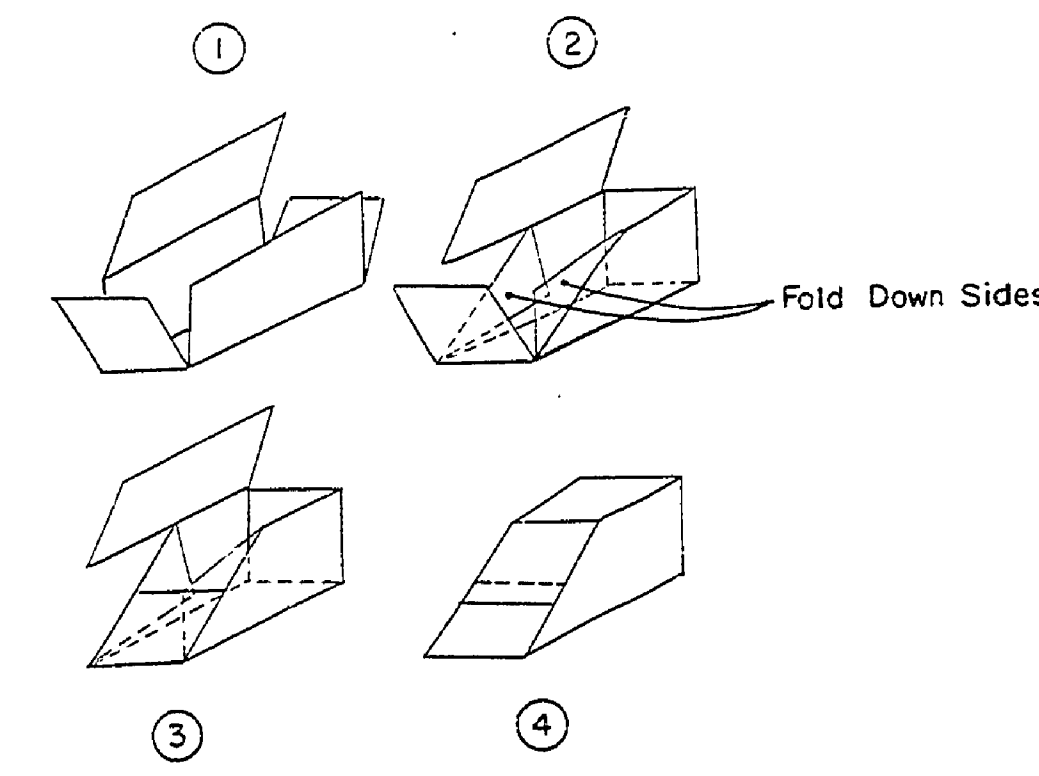
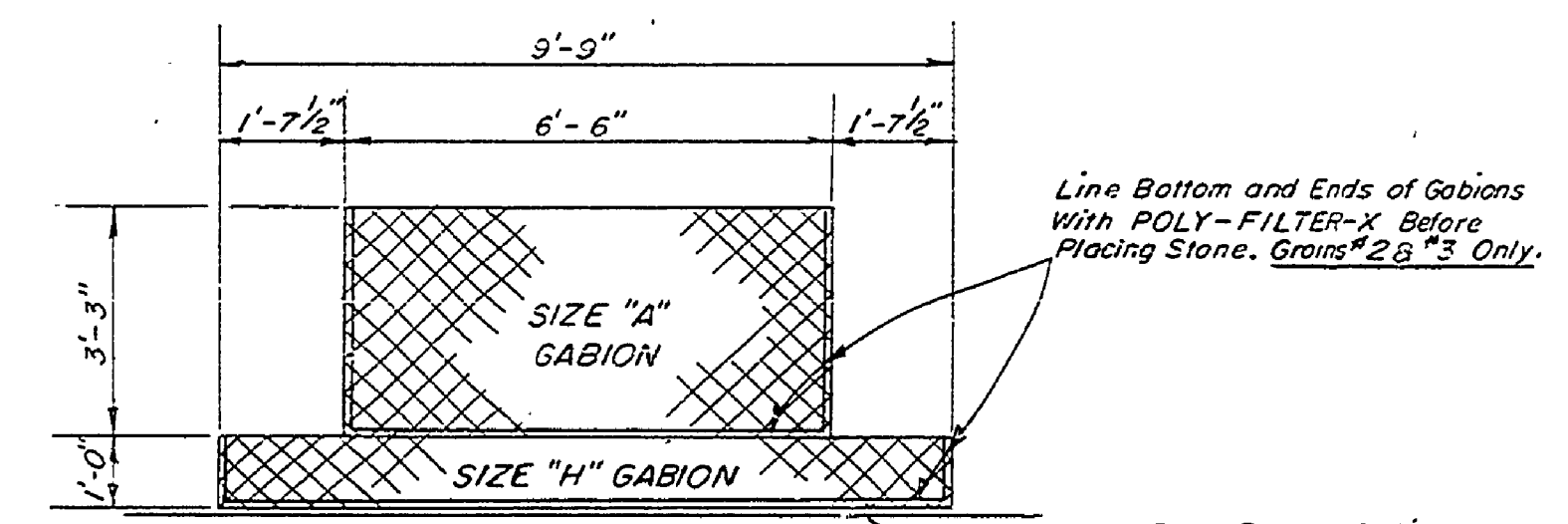


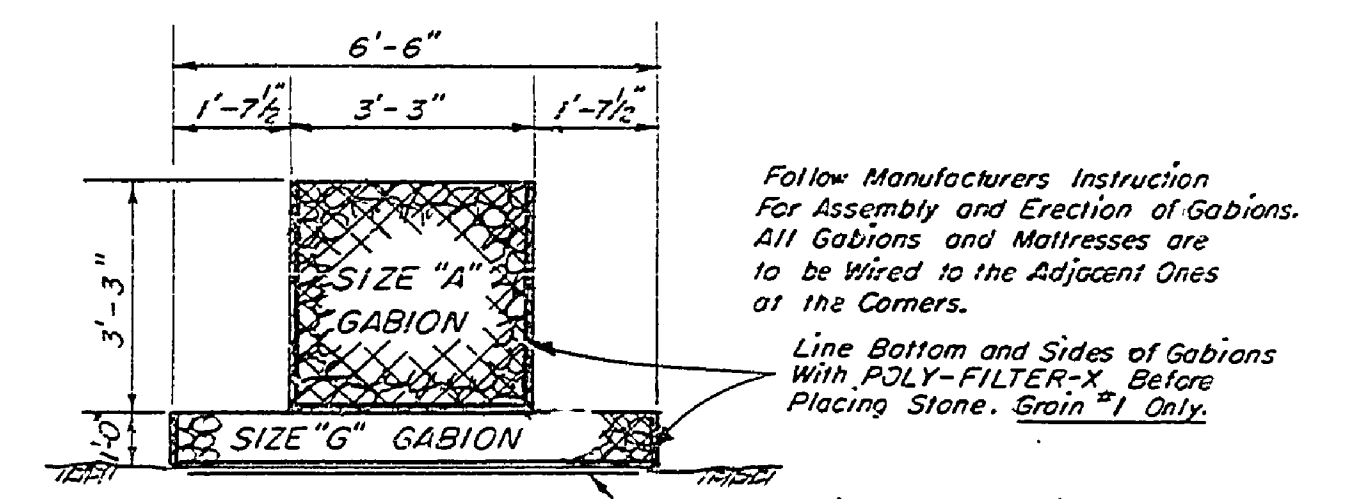
TYPICAL SECTION OF GABION GROIN
1" = 5'



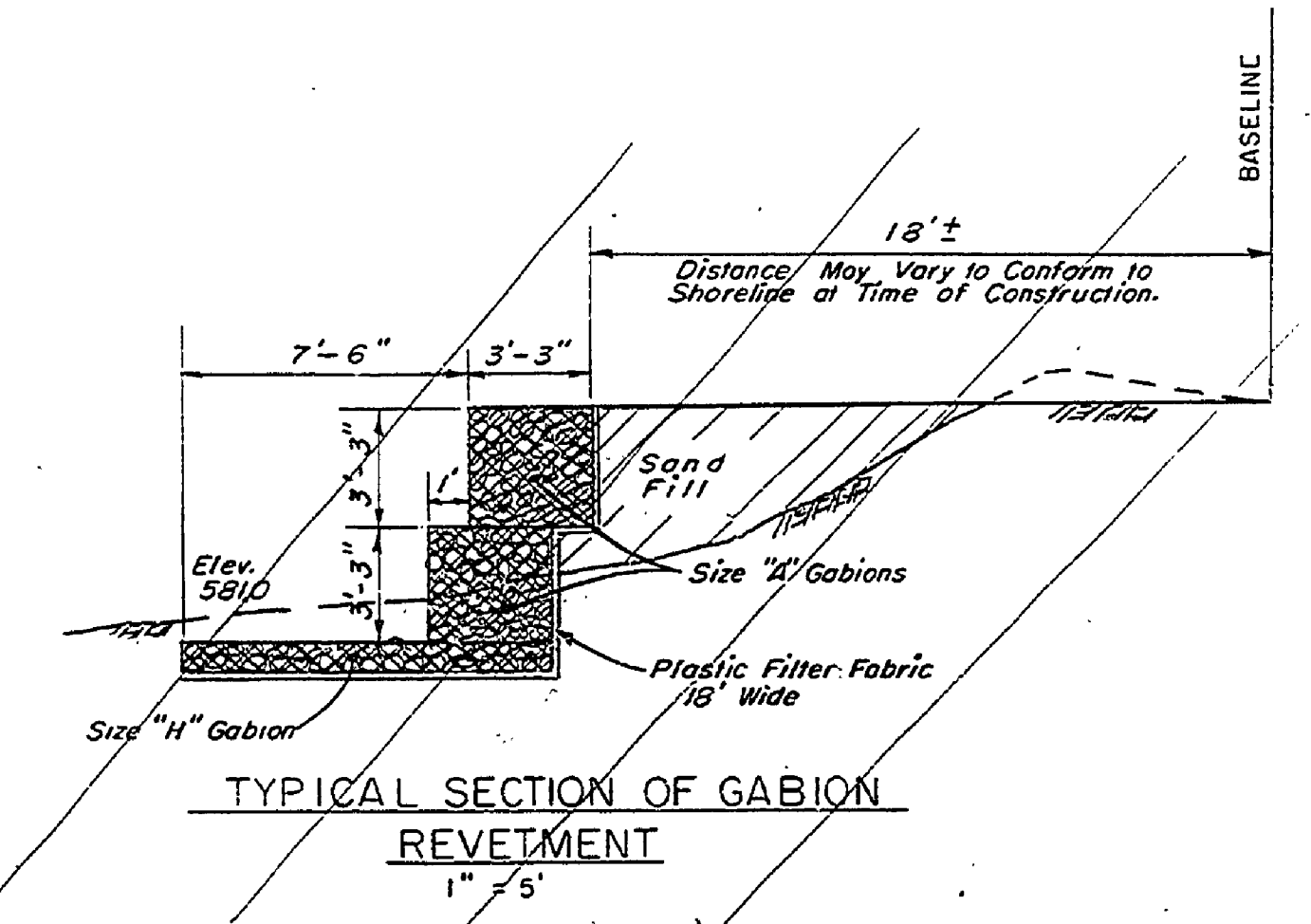
DETAIL OF TAPERED GABIONS



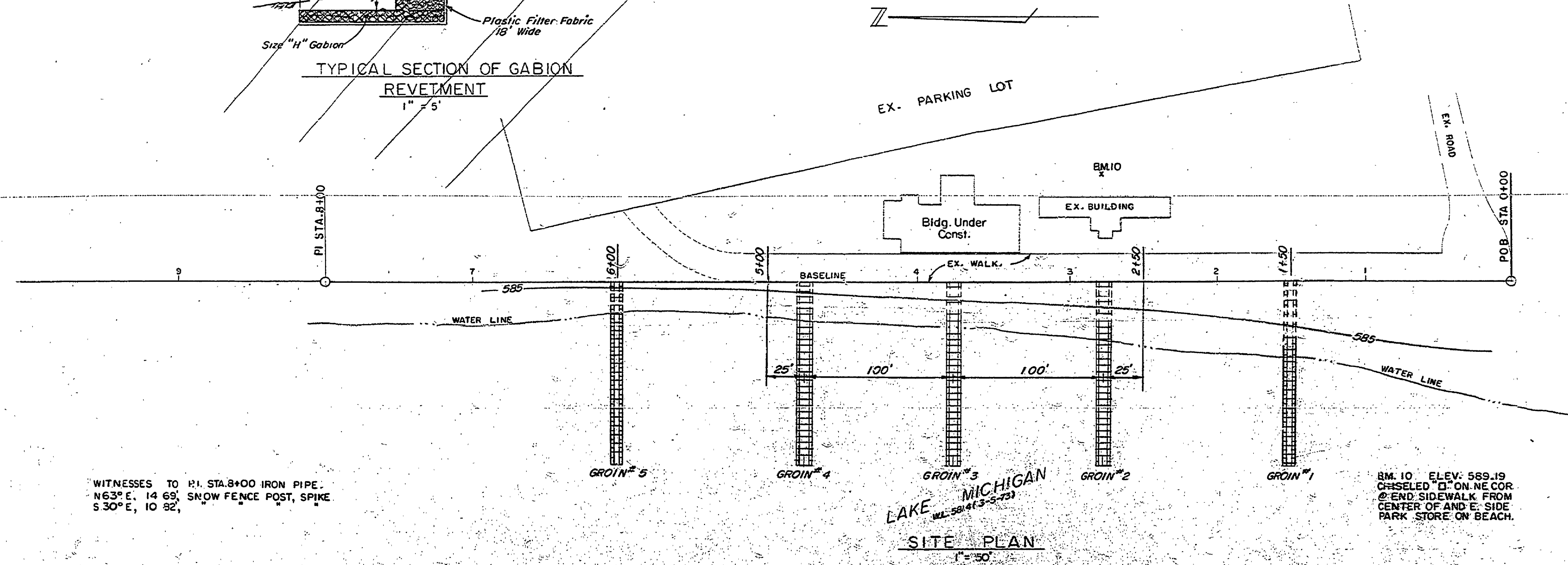
TYPICAL SECTION OF GROINS
No's 2, 3, & 4
3/8" = 1'-0"



TYPICAL SECTION OF GROINS
No. 1 & No. 5
3/8" = 1'-0"



TYPICAL SECTION OF GABION REVEMENT
1" = 5'



SITE PLAN
1" = 50'

WITNESSES TO POB 1/2" IRON PIPE.
S.W. COR. BLACKTOP ROAD.
S 16° E, 5.49', GUARD POST, PK& TAG.
S 55° W, 4.43'

QUANTITIES

GABIONS SIZE "A"	220 Ea.
GABIONS SIZE "G"	80 Ea.
GABIONS SIZE "H"	180 Ea.
POLY-FILTER FABRIC (6' Wide)	1,560 Sq. Ft.
POLY-FILTER FABRIC (12' Wide)	9,360 Sq. Ft.
POLY-FILTER FABRIC (18' Wide)	3,600 Sq. Ft.
STONE, 4 to 10 inch Size	900 Cu. Yd.
EXCAVATION	1,200 Cu. Yd.

WITNESSES TO P.I. STA. 8+00 IRON PIPE.
N63° E, 14.69', SNOW FENCE POST, SPIKE.
S 30° E, 10.82'

BUILDING COMMITTEE APPROVAL	
BY: _____	DATE: _____
RECOMMENDED FOR APPROVAL: <i>[Signature]</i>	
RECOMMENDED FOR APPROVAL: <i>[Signature]</i>	
DIVISION/REGION APPROVAL	
BY: <i>[Signature]</i>	DATE: 4-4-73
APPROVED: <i>[Signature]</i>	
PROJECT NO. 24-1436	
SHEET 1 OF 1 PLAN NO. E-110	

SURVEYED BY: A.V. McCann	DESIGNED BY: W.H. EVANS	DRAWN BY: J. LEMMON	CHECKED BY:	NO. 3-73	NO. 1	NO. 2	NO. 3	NO. 4	NO. 5	NO. 6	NO. 7	NO. 8	NO. 9	NO. 10	NO. 11	NO. 12	NO. 13	NO. 14	NO. 15	NO. 16	NO. 17	NO. 18	NO. 19	NO. 20	NO. 21	NO. 22	NO. 23	NO. 24	NO. 25	NO. 26	NO. 27	NO. 28	NO. 29	NO. 30	NO. 31	NO. 32	NO. 33	NO. 34	NO. 35	NO. 36	NO. 37	NO. 38	NO. 39	NO. 40	NO. 41	NO. 42	NO. 43	NO. 44	NO. 45	NO. 46	NO. 47	NO. 48	NO. 49	NO. 50
MICHIGAN DEPARTMENT OF NATURAL RESOURCES										SITE PLAN										MEARS STATE PARK EROSION CONTROL																																		