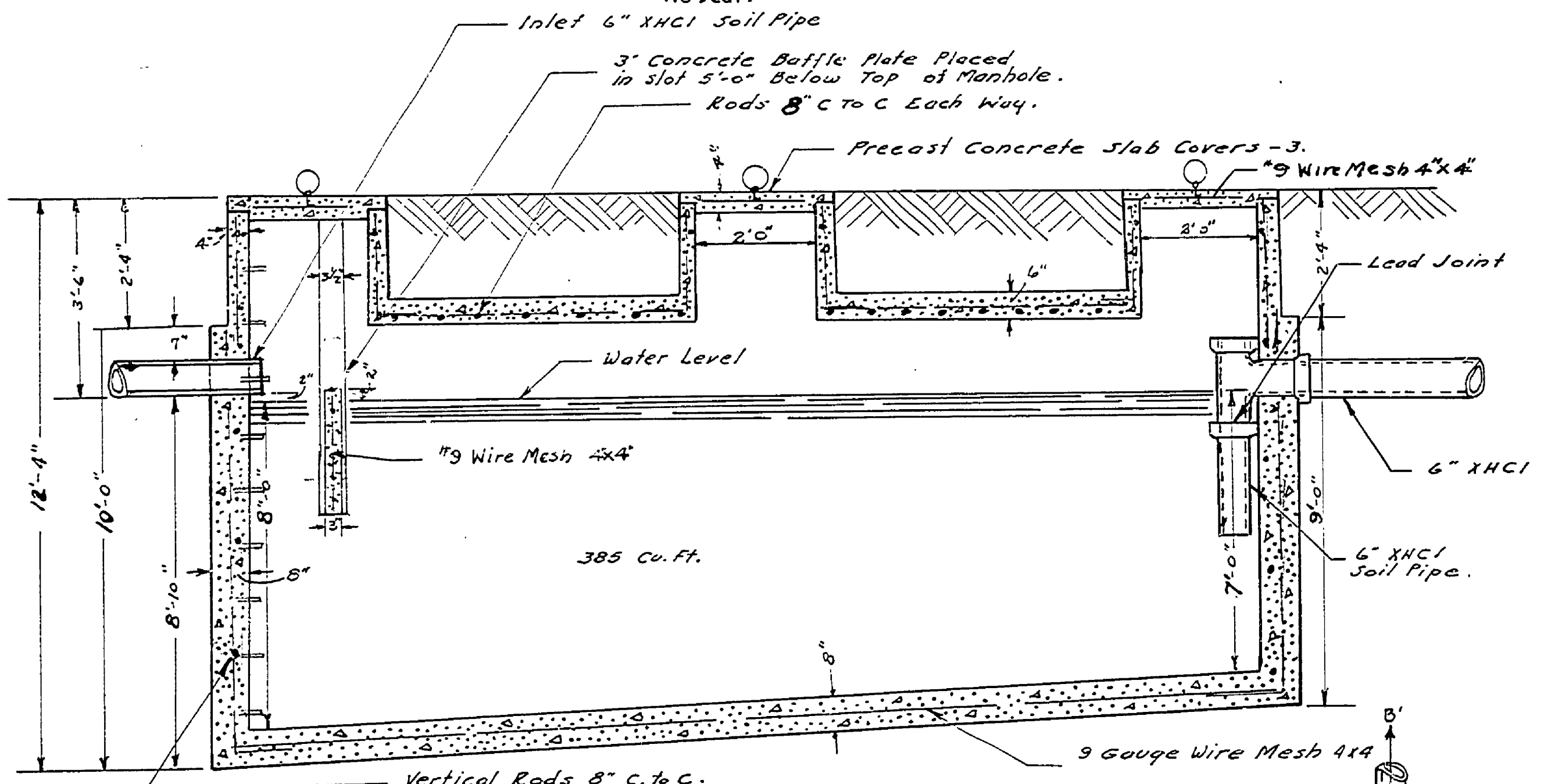
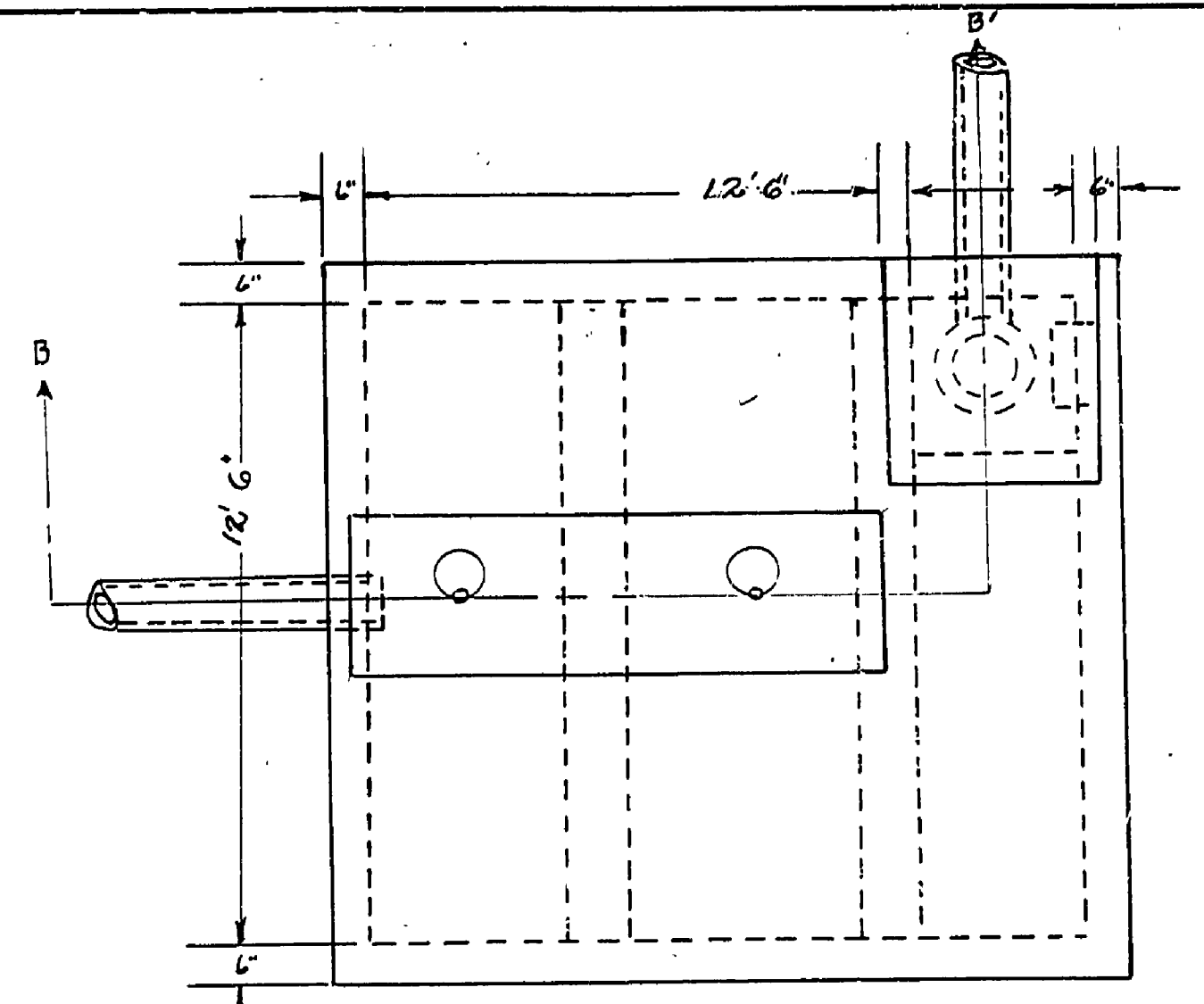


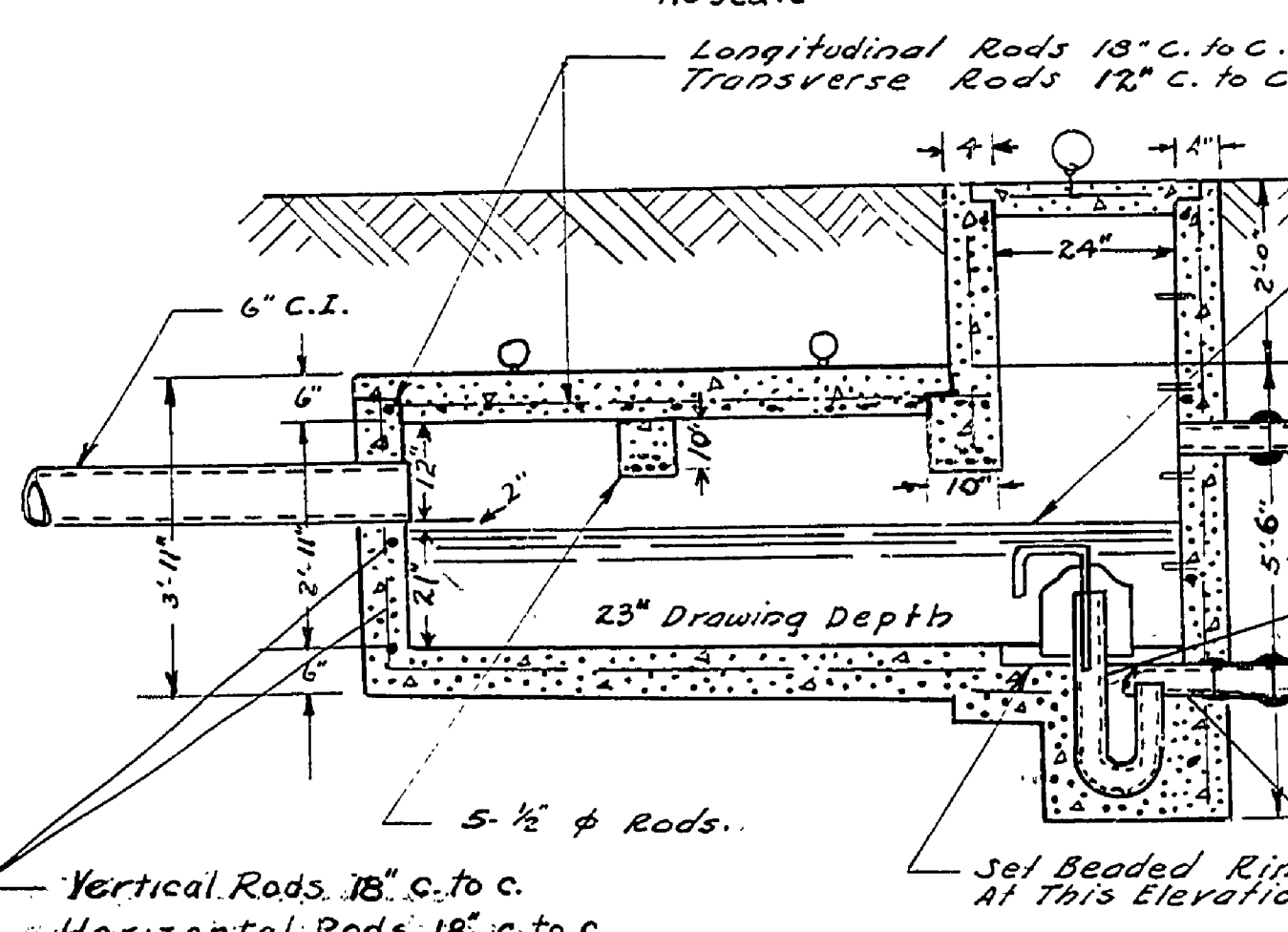
SEPTIC TANK - TOP VIEW  
No Scale



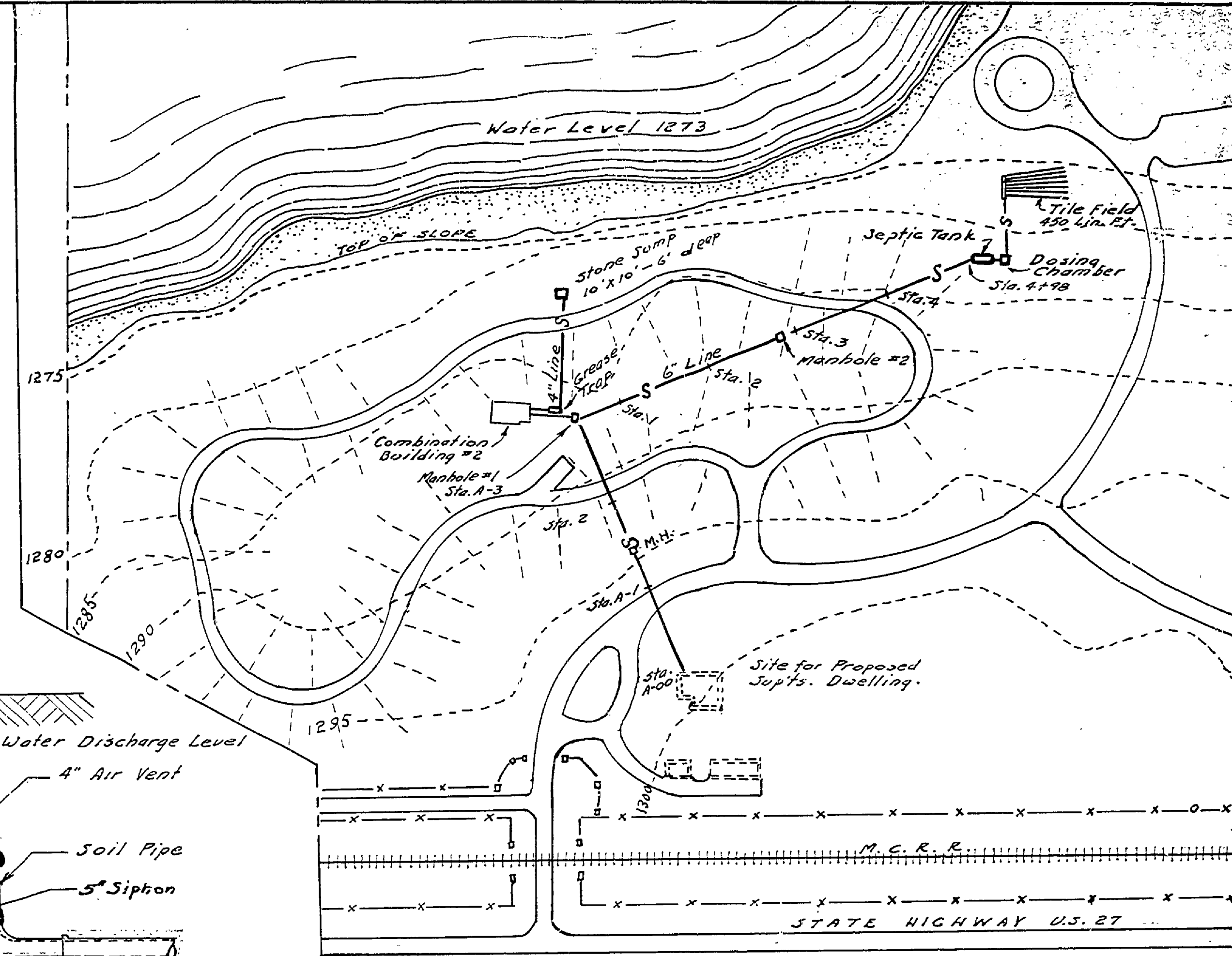
SECTION A-A  
No Scale



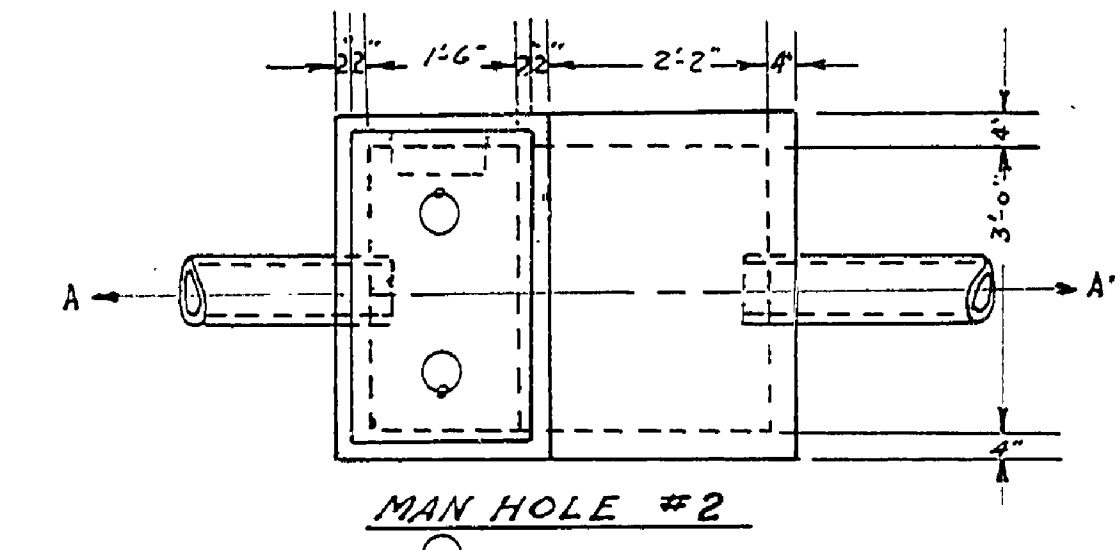
DOSING CHAMBER - TOP VIEW  
No Scale



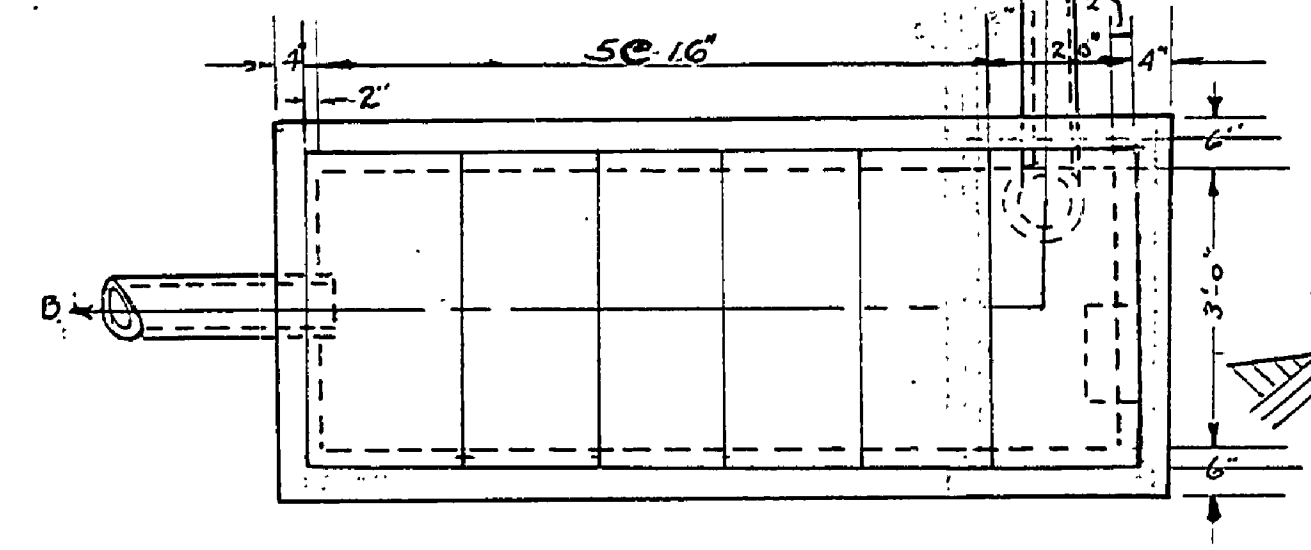
SECTION B-B  
No Scale



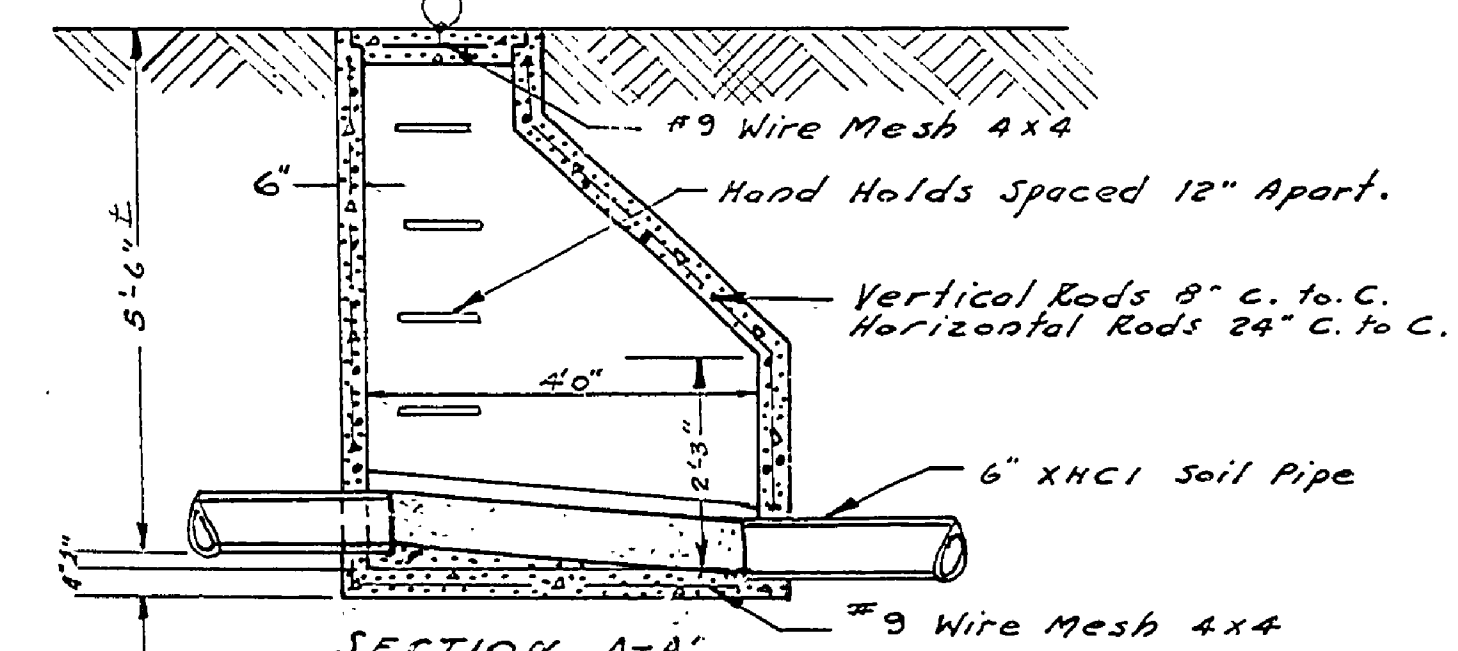
SOUTH CAMPGROUND  
OTSEGO LAKE STATE PARK  
MICHIGAN  
Scale: 1" = 100'



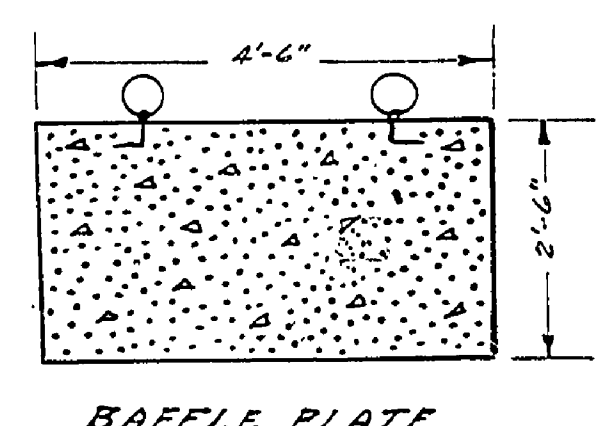
MAN HOLE #2



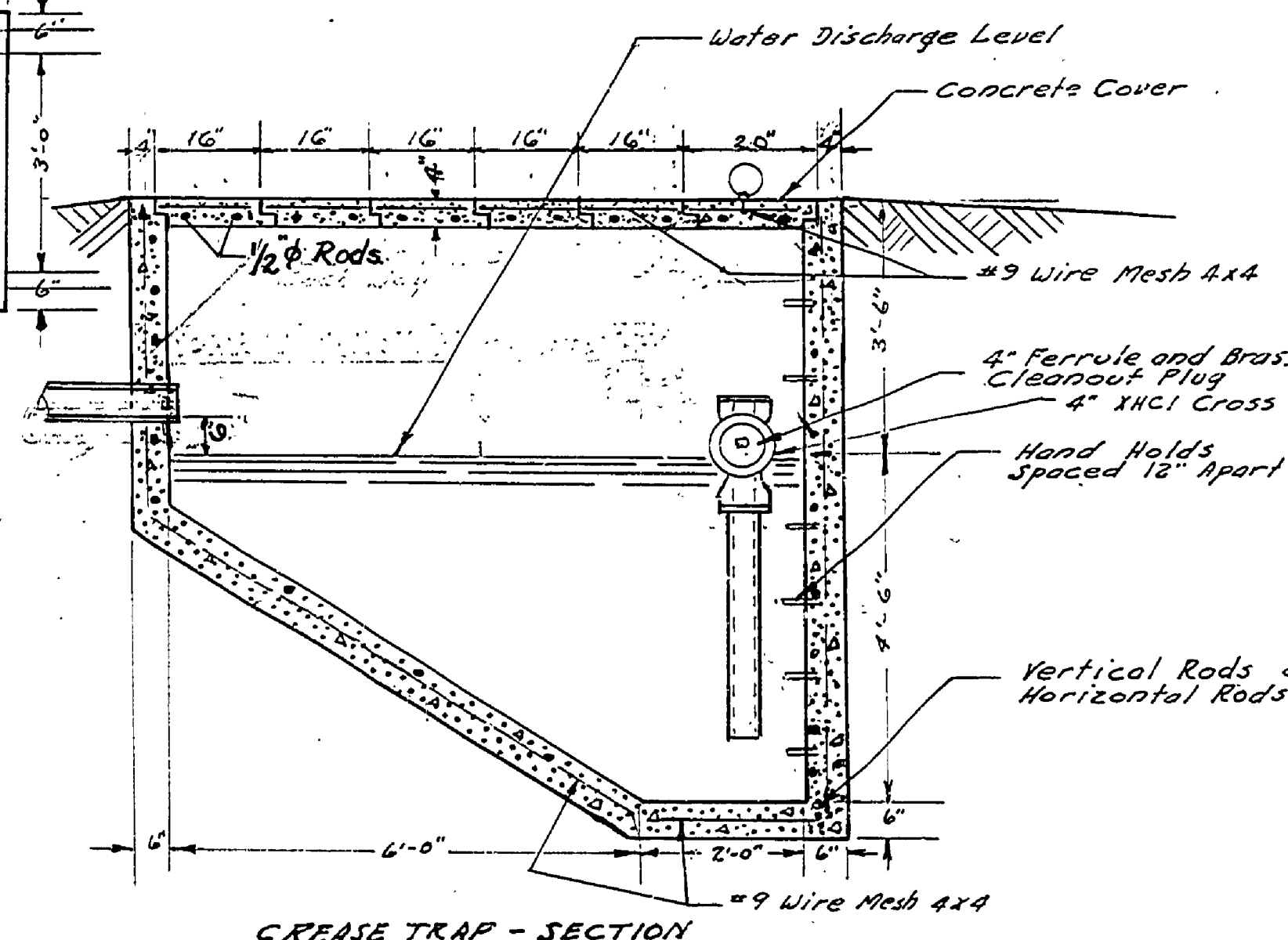
GREASE TRAP - PLAN



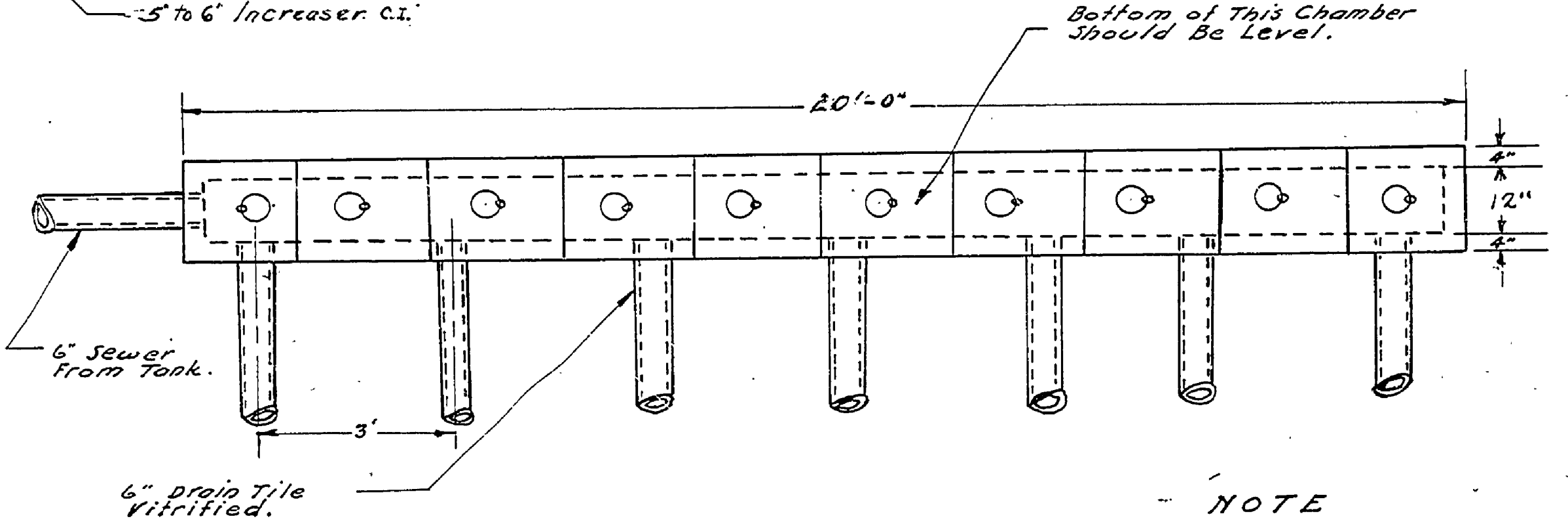
SECTION A-A



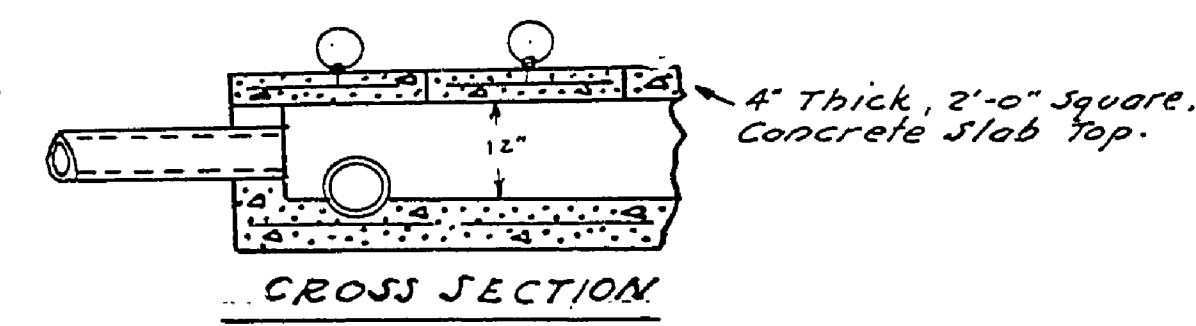
BAFFLE PLATE



GREASE TRAP - SECTION

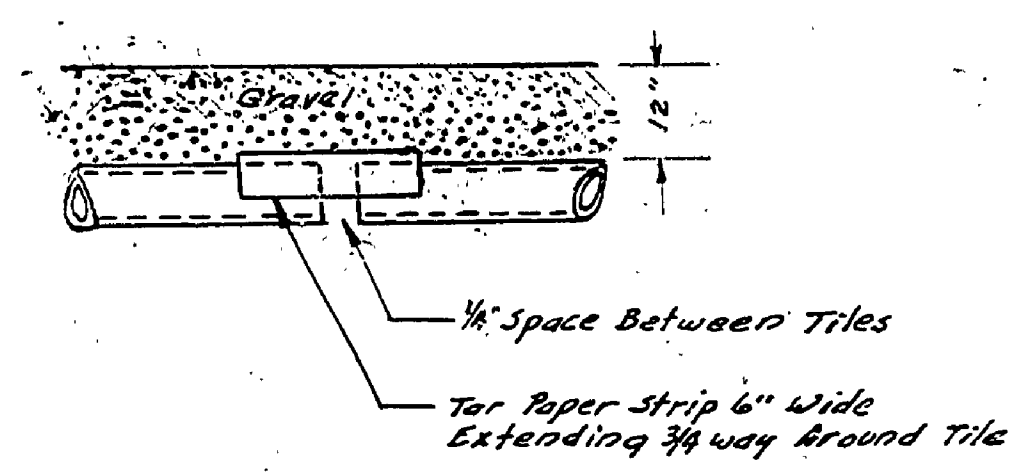
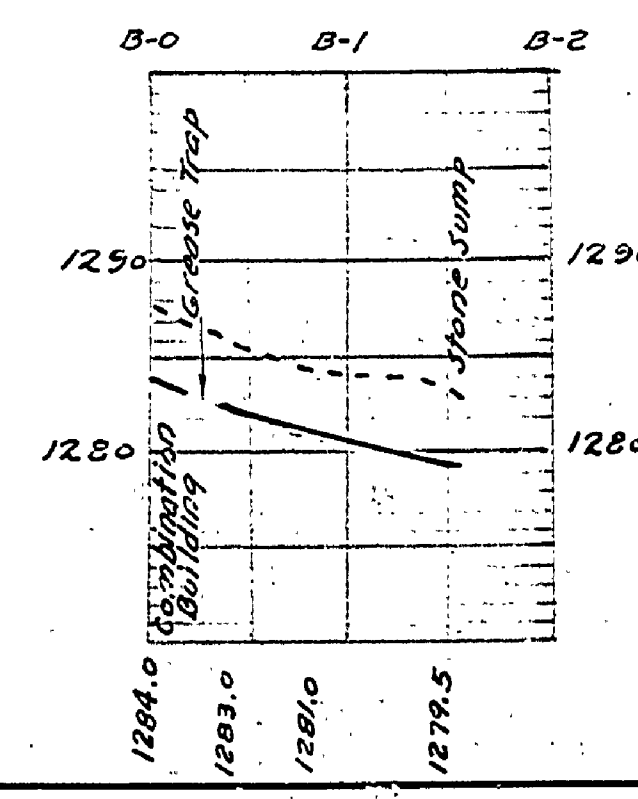
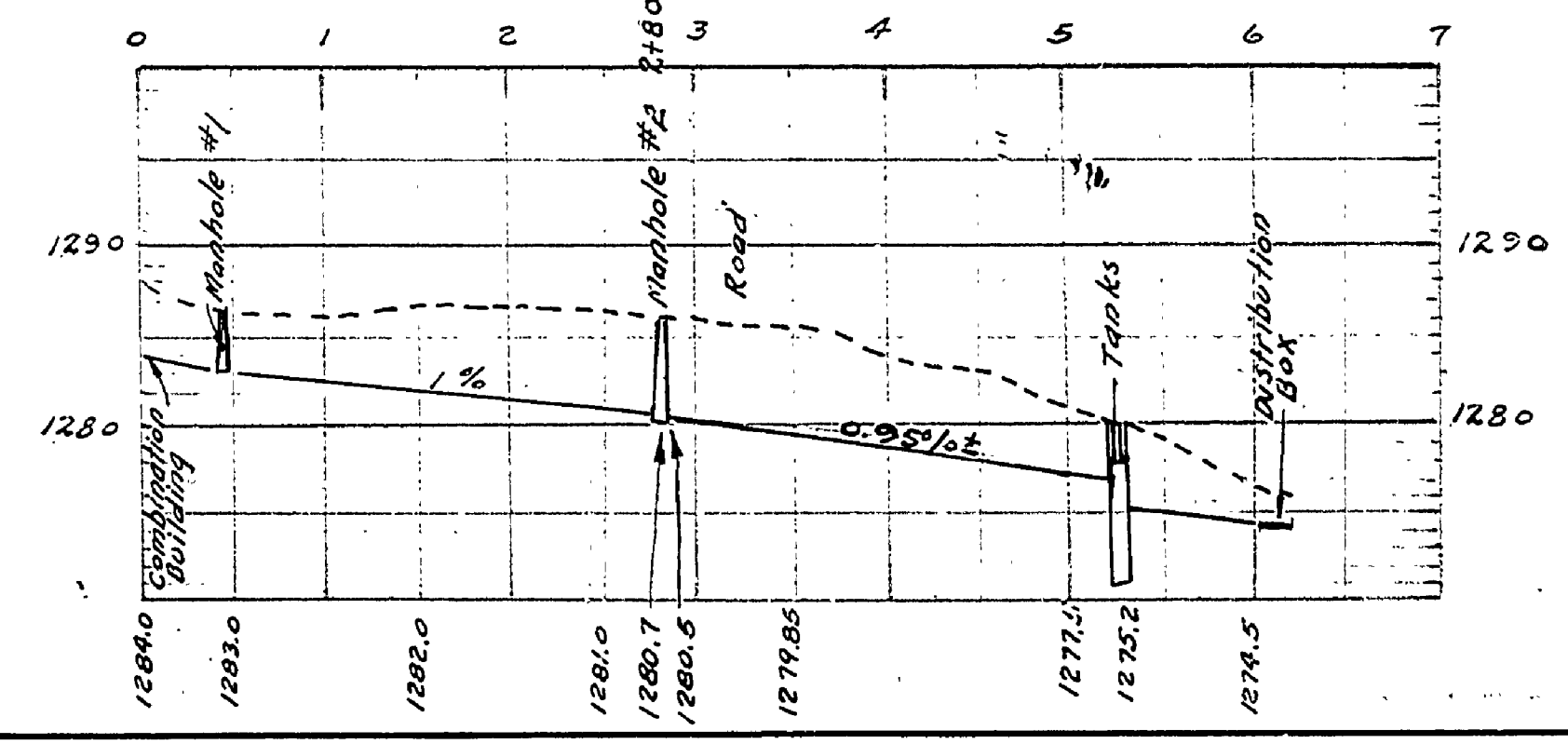
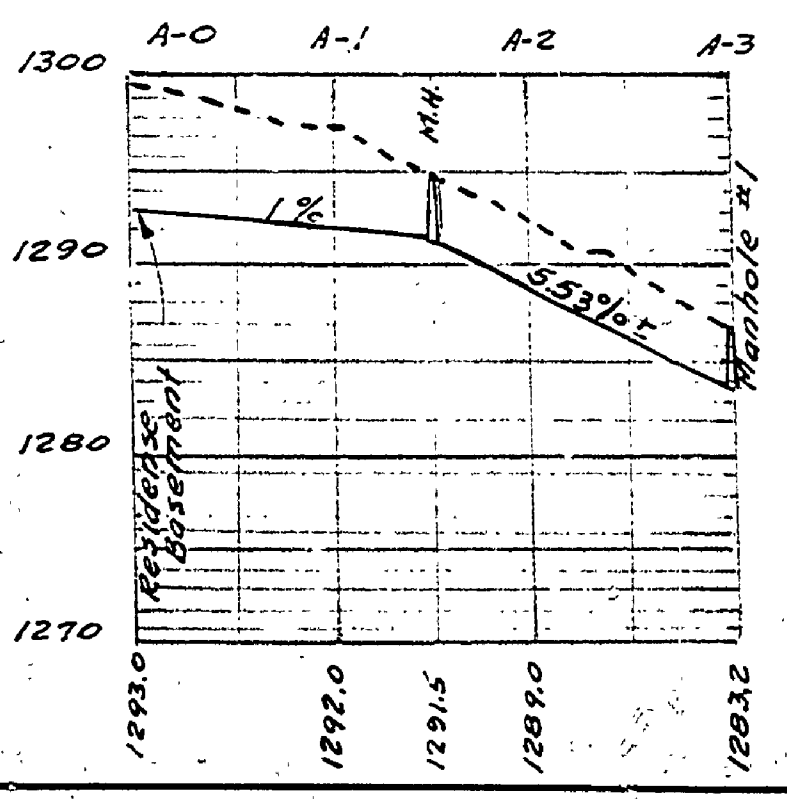


DISTRIBUTION BOX



CROSS SECTION

NOTE  
Elevations are above mean sea level.  
Cement to be 1-2-4 Mix  
All Reinforcing Rods are 1/2" φ deformed bars.



Michigan Department of Health  
Bureau of Sanitation  
EXAMINED AND APPROVED  
JUN 28 1938  
T. J. ...  
SUPERVISOR

UNITED STATES  
DEPARTMENT OF THE INTERIOR  
NATIONAL PARK SERVICE  
COOPERATING WITH  
MICHIGAN  
DEPARTMENT OF CONSERVATION

DISPOSAL SYSTEM  
PLAN

OTSEGO LAKE STATE PARK  
VANDERBILT SP-15, MICH.

DATE 6/6/38

E-94