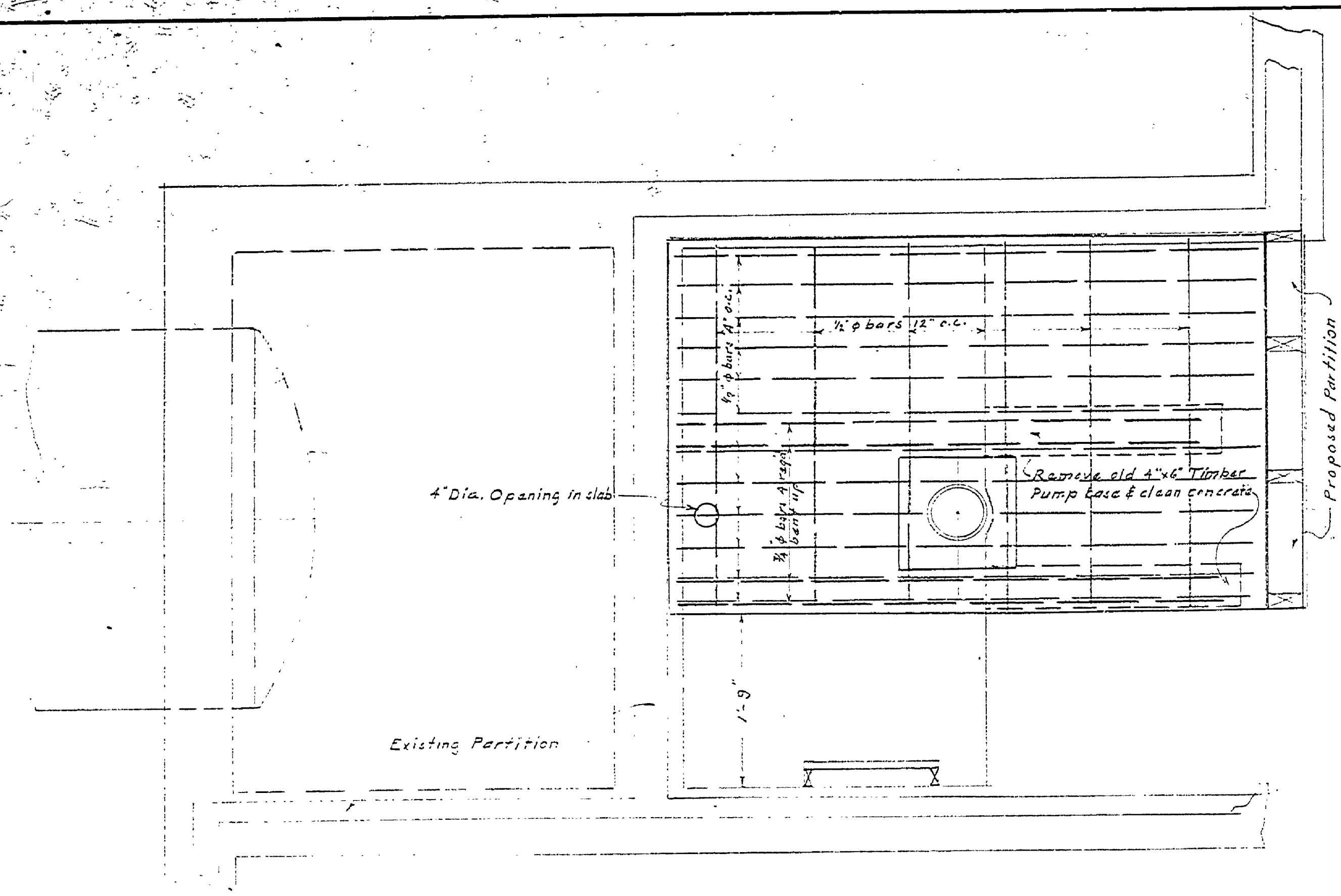
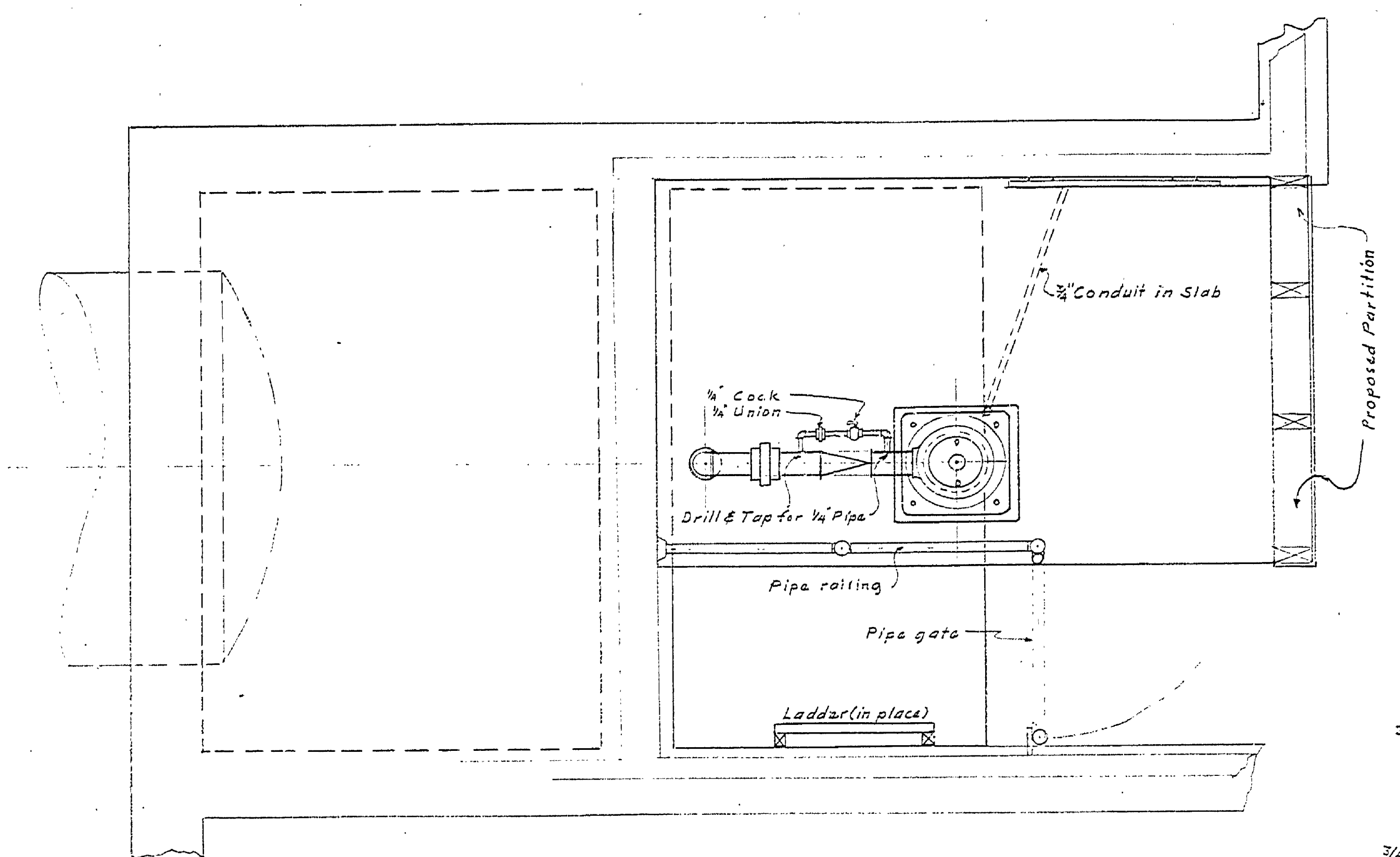


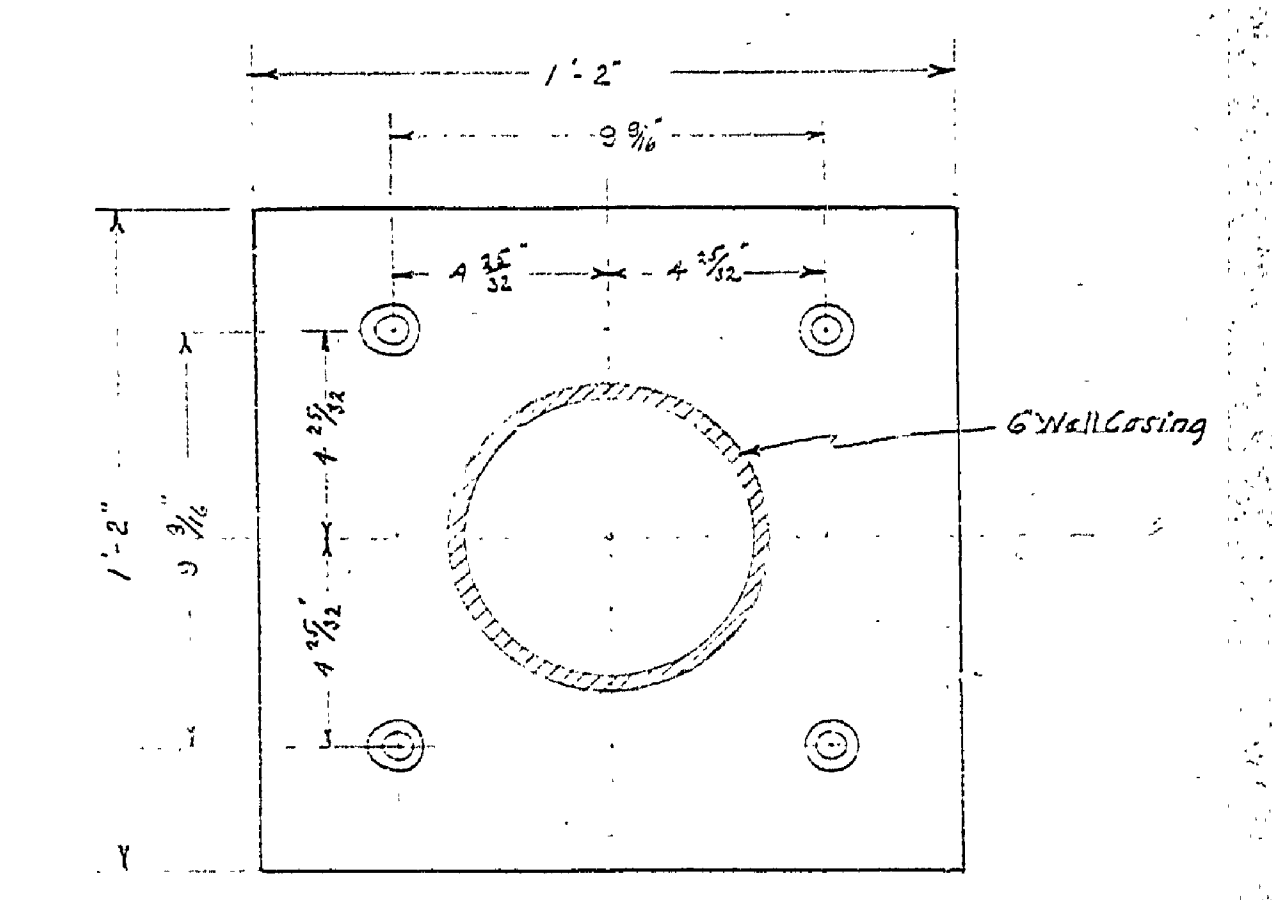
DRAWN BY E. J. P.	CHECKED BY E. J. P.	DATE March 18, 1949	REVIEWED BY SECTIONS		APPROVED BY <i>[Signature]</i>		NO.	DATE	BY	REVISIONS	DATE	BY
			ARCHITECTURAL	LANDSCAPE	DATE	BY						
							1			4		
							2			5		
							3			6		



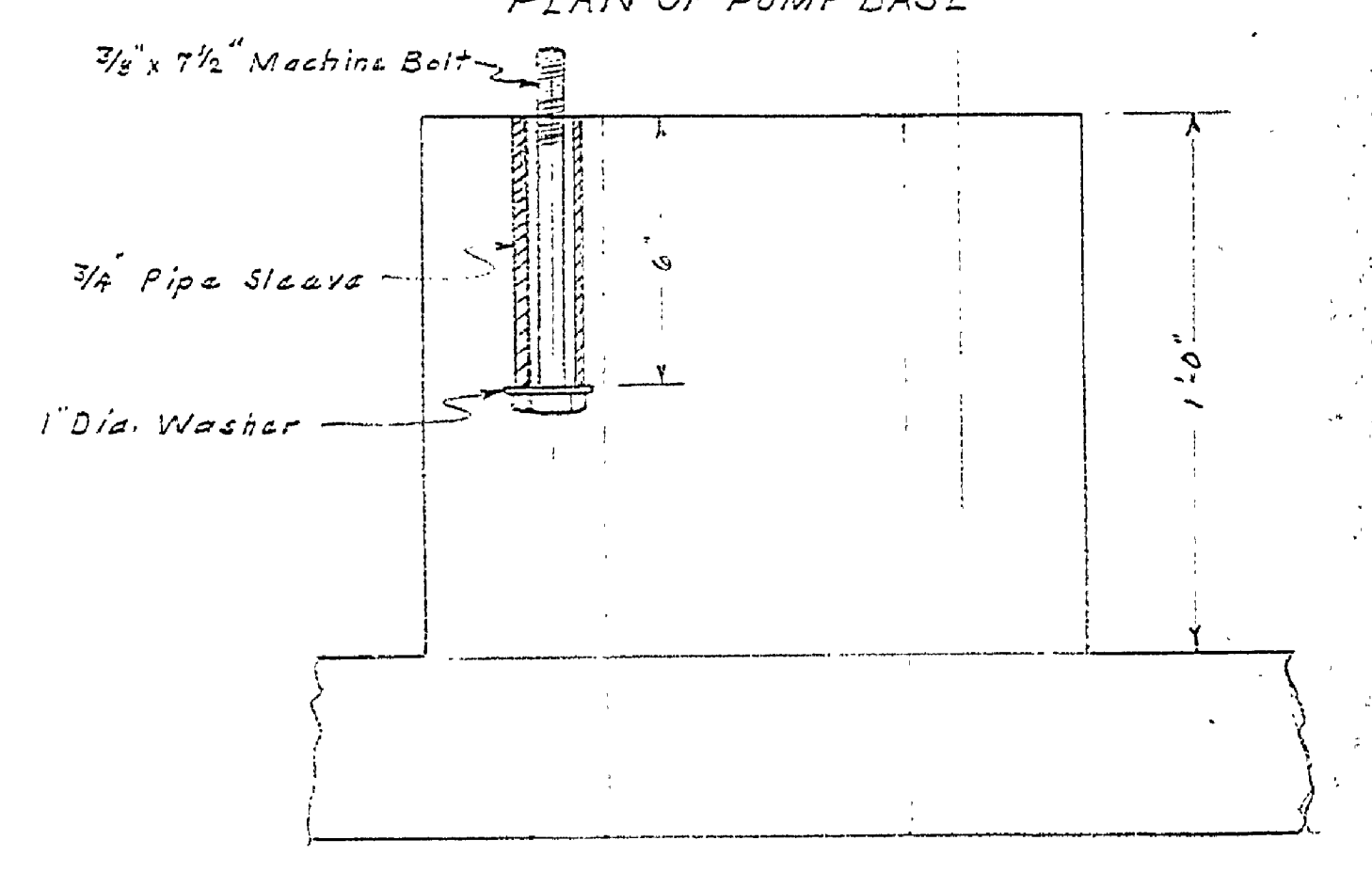
PLAN OF BASE & SLAB
SCALE 7/8"=1'-0"



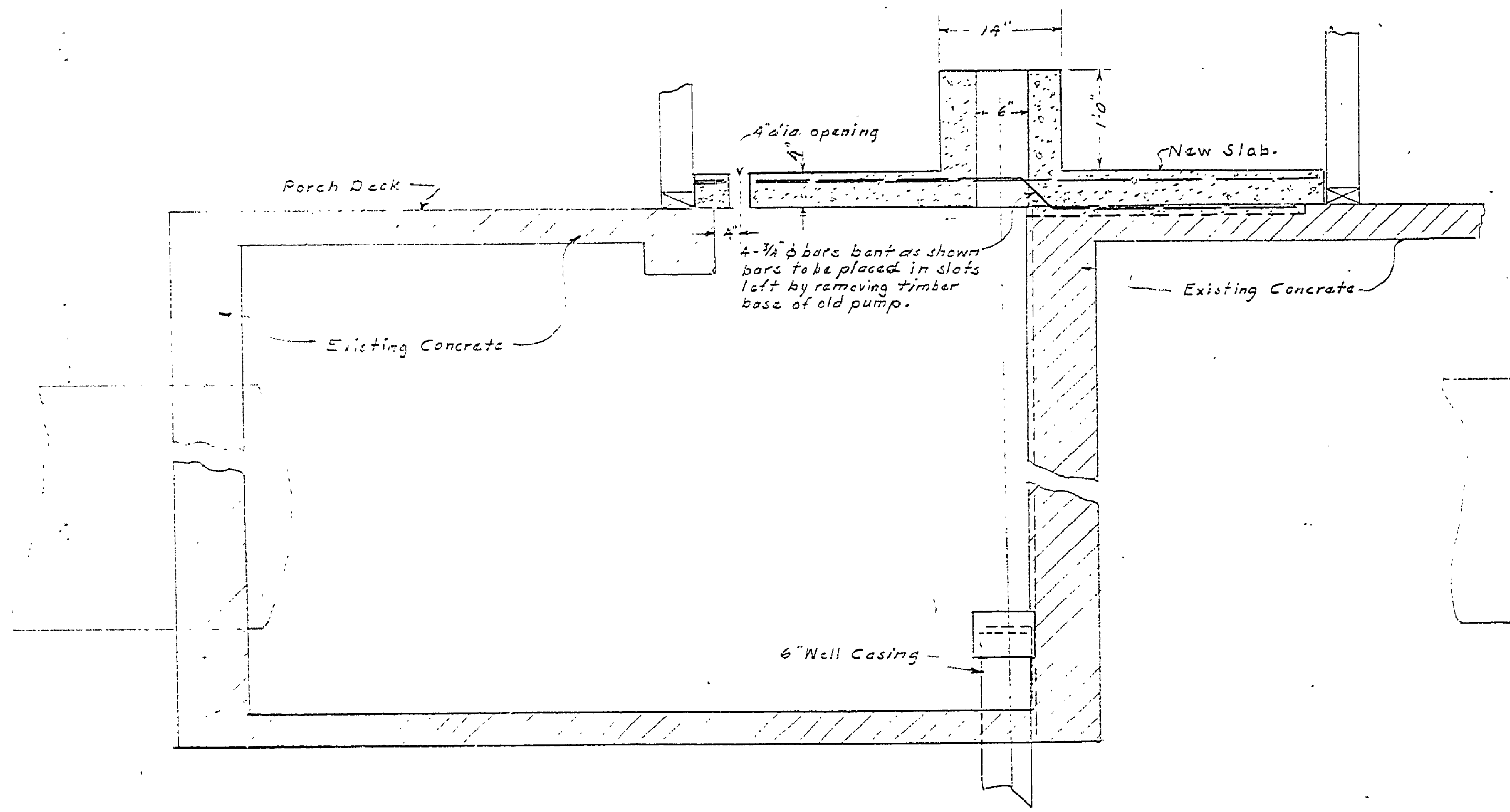
PLAN OF PUMP & PIPING
SCALE 1/4"=1'-0"



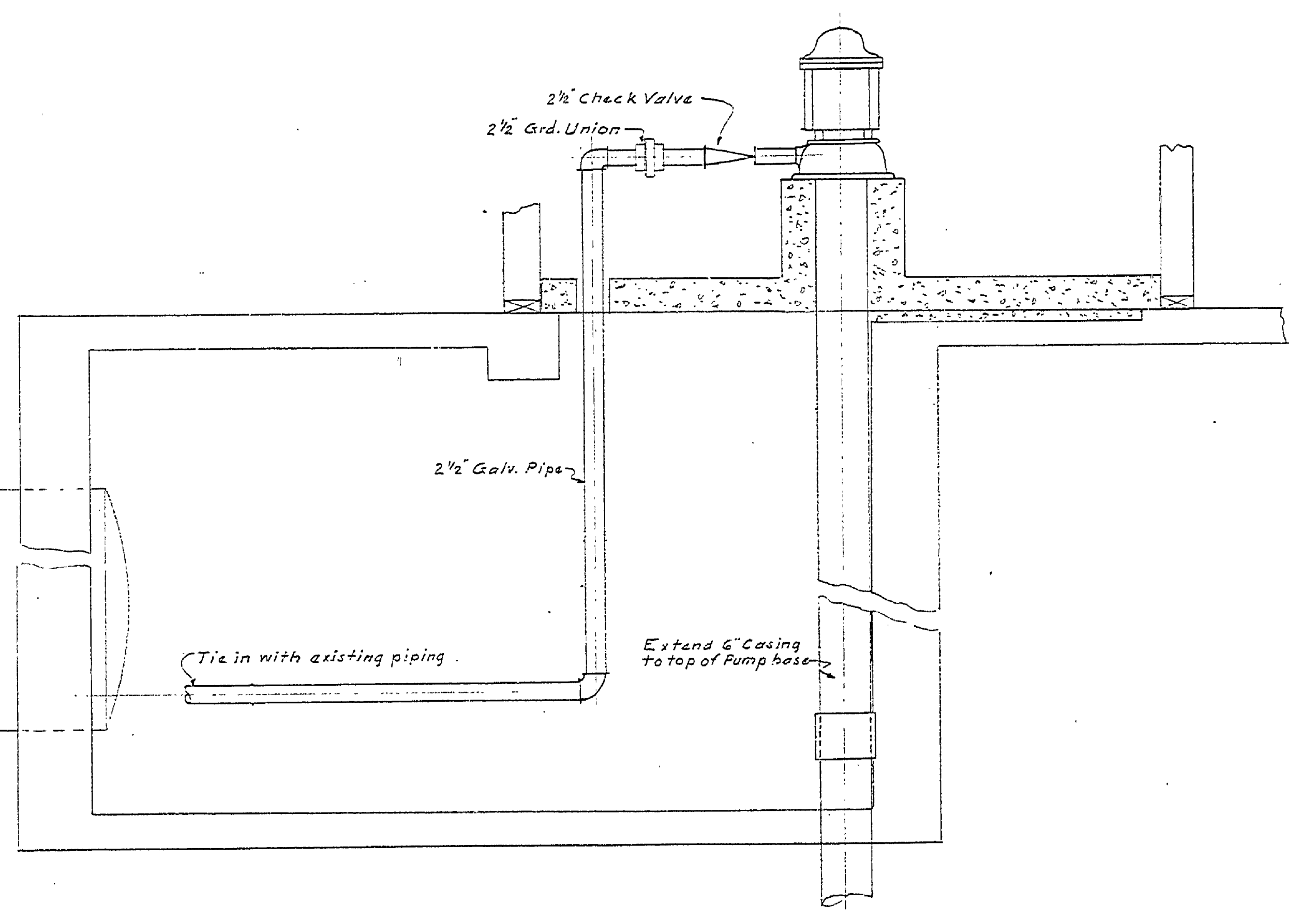
PLAN OF PUMP BASE
SCALE 5/8"=1'-0"



ELEVATION OF PUMP BASE
SCALE 5/8"=1'-0"



ELEV. OF PUMP & PIPING
SCALE 1/2"=1'-0"



ELEV. OF PUMP & PIPING
SCALE 1/4"=1'-0"

MICHIGAN
DEPARTMENT OF CONSERVATION
PARKS AND RECREATION DIVISION

OTSEGO LAKE STATE PARK
PUMP INSTALLATION
SCALE AS SHOWN

SHEET
NO. 1
OF 1

PLAN NO.
E-102