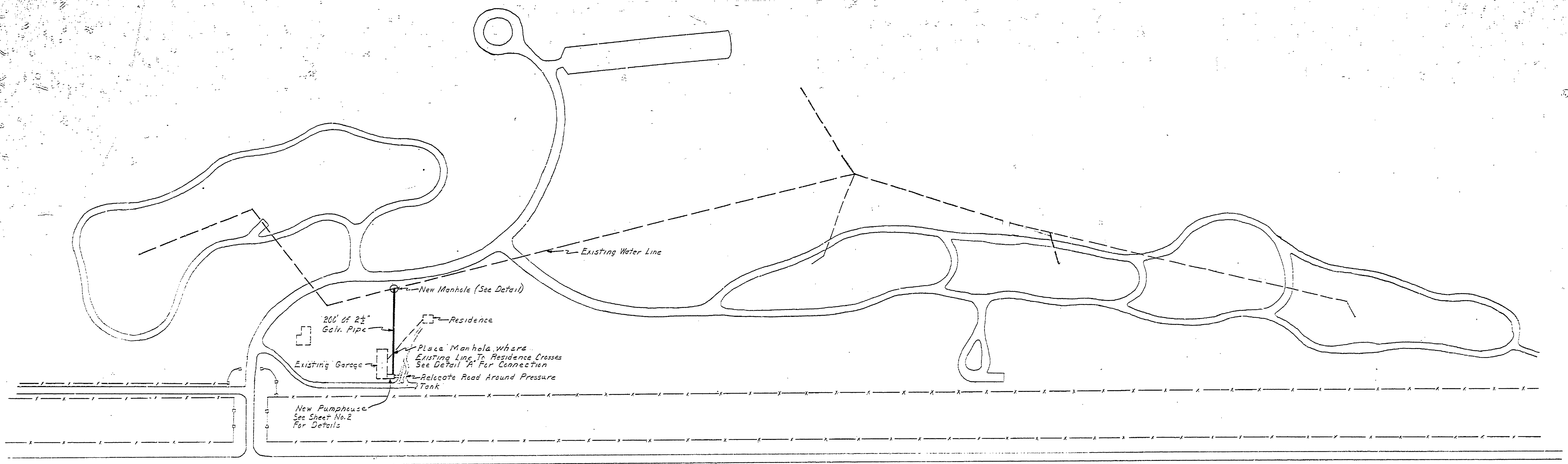


REVISIONS	NO.	DATE	BY
4			
5			
6			

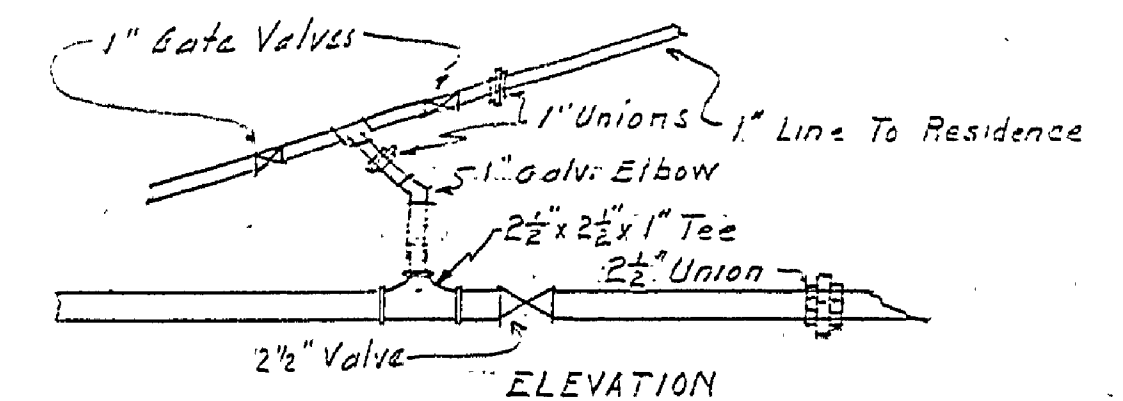
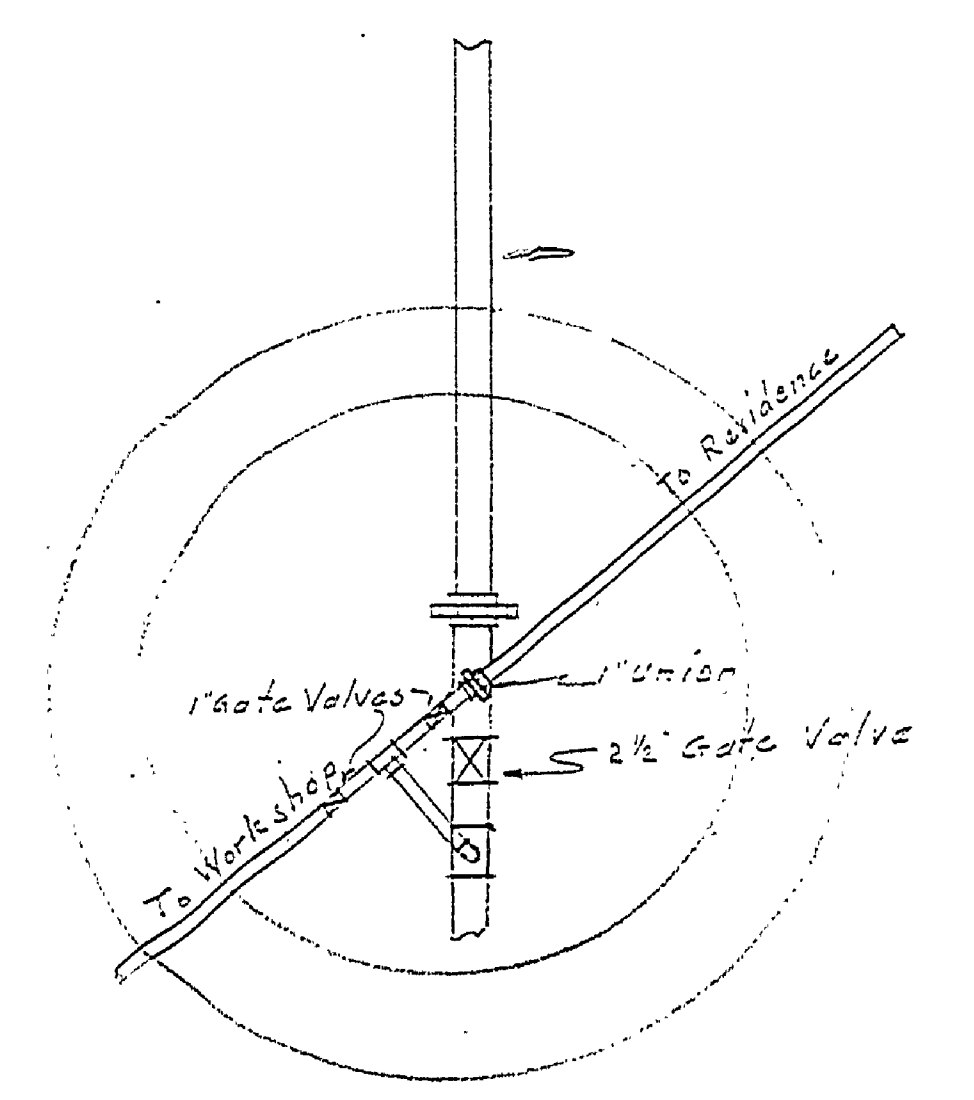
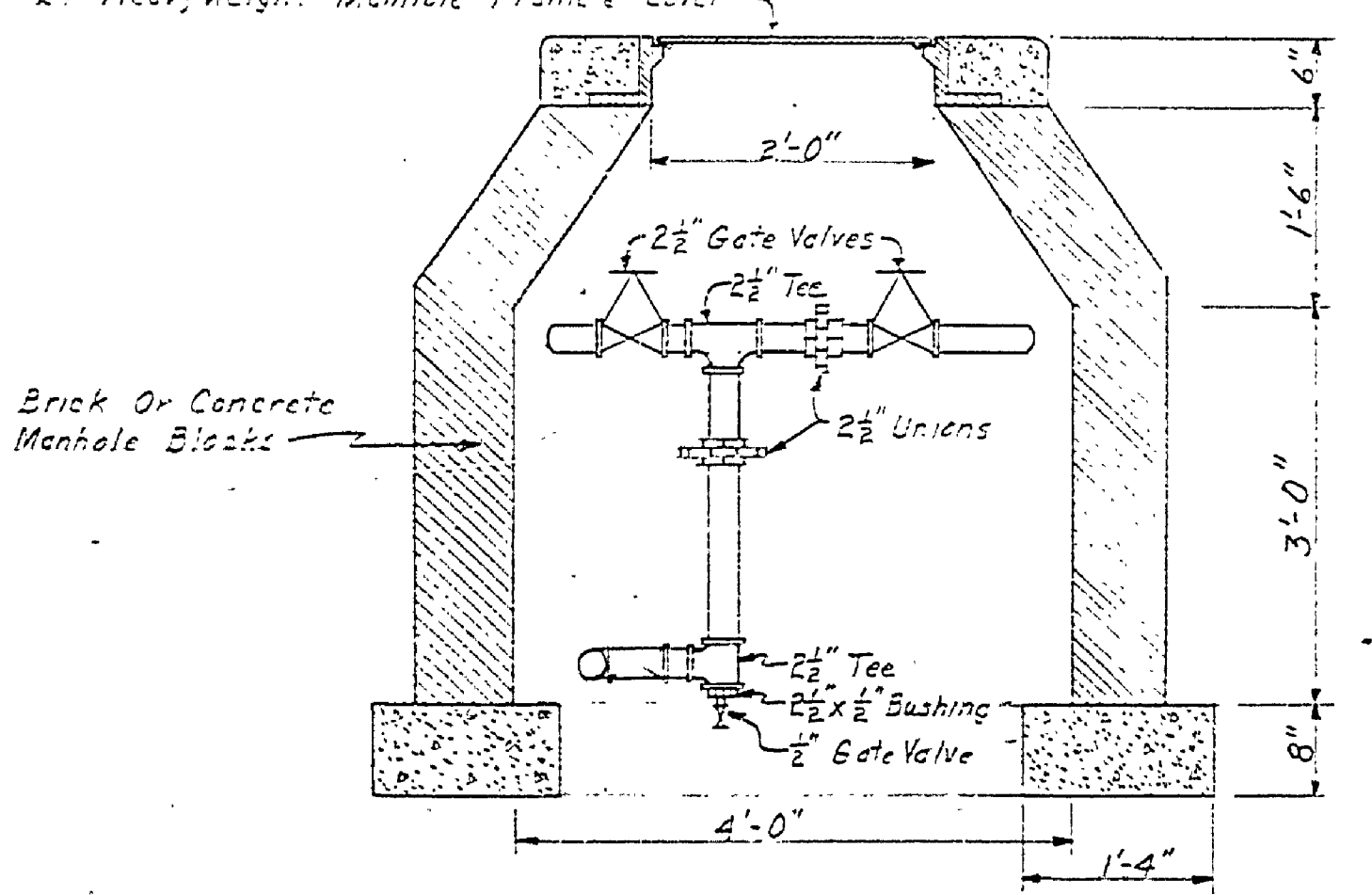
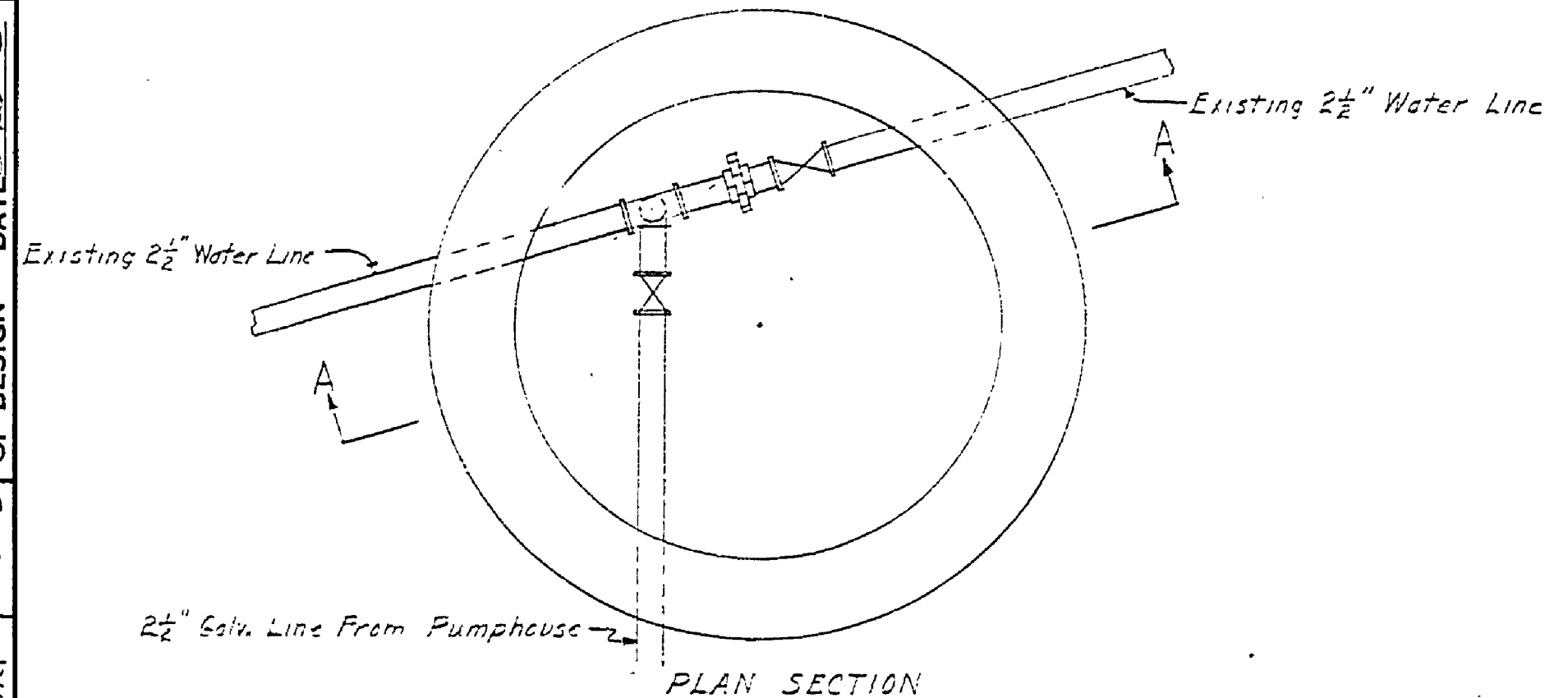
APPROVED BY	DATE	REVIEWED BY SECTIONS
<i>[Signature]</i>	8-15-53	J.I.R.
ASSISTANT CHIEF IN CHARGE	28 Aug 53	H.C.M.
OF DESIGN	3-25-53	J.I.R.

DRAWN BY	DATE
B.H.G.	6 Aug. 1953

TRACED BY	ENGINEERING
CHECKED BY	LANDSCAPE



PLAN
Scale 1" = 100'



DETAIL "A"
Scale 3/4" = 1'-0"

MICHIGAN
DEPARTMENT OF CONSERVATION
PARKS AND RECREATION DIVISION

OTSEGO LAKE STATE PARK
AUXILIARY WATER SUPPLY
Scale As Shown

SHEET
NO. 1
OF 2

PLAN NO.
E-103