

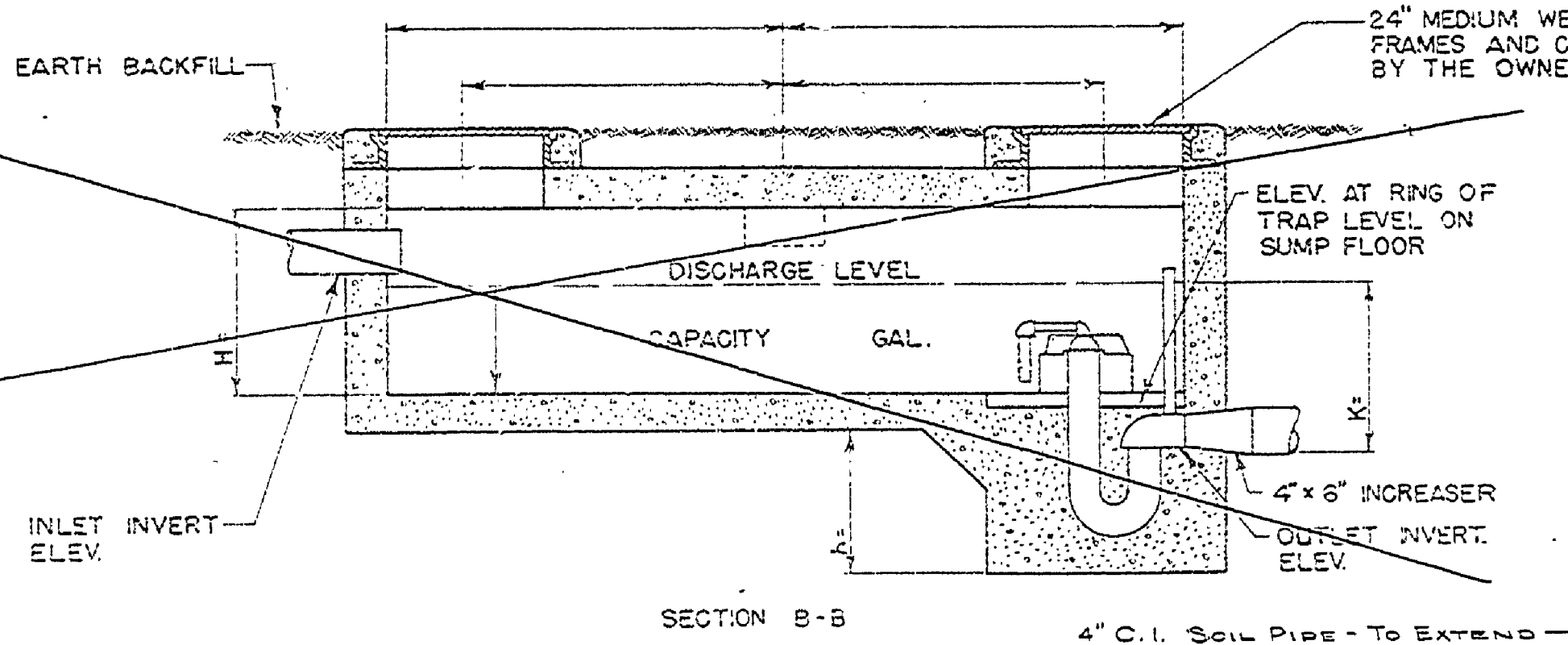
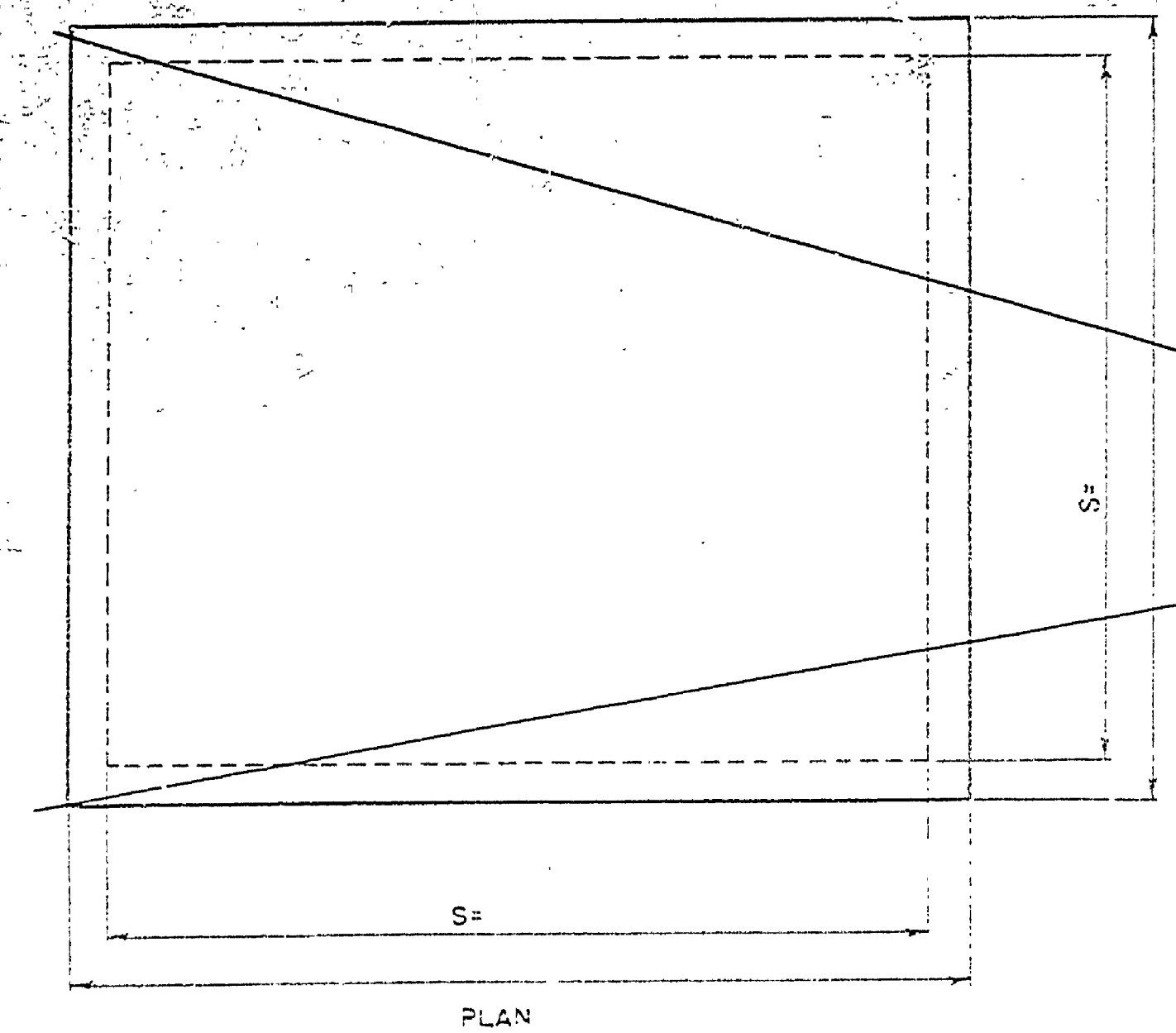
| | | | |
|-----------|-----|------|----|
| REVISIONS | NO. | DATE | BY |
| 1 | | | |
| 2 | | | |
| 3 | | | |
| 4 | | | |
| 5 | | | |
| 6 | | | |

| | | |
|-----------------------|---------|----------------------|
| APPROVED BY | DATE | REVIEWED BY SECTIONS |
| ASST. CHIEF IN CHARGE | 5-23-53 | ARCHITECTURAL |
| OF DESIGN | 5-23-53 | ENGINEERING |
| | | LANDSCAPE |

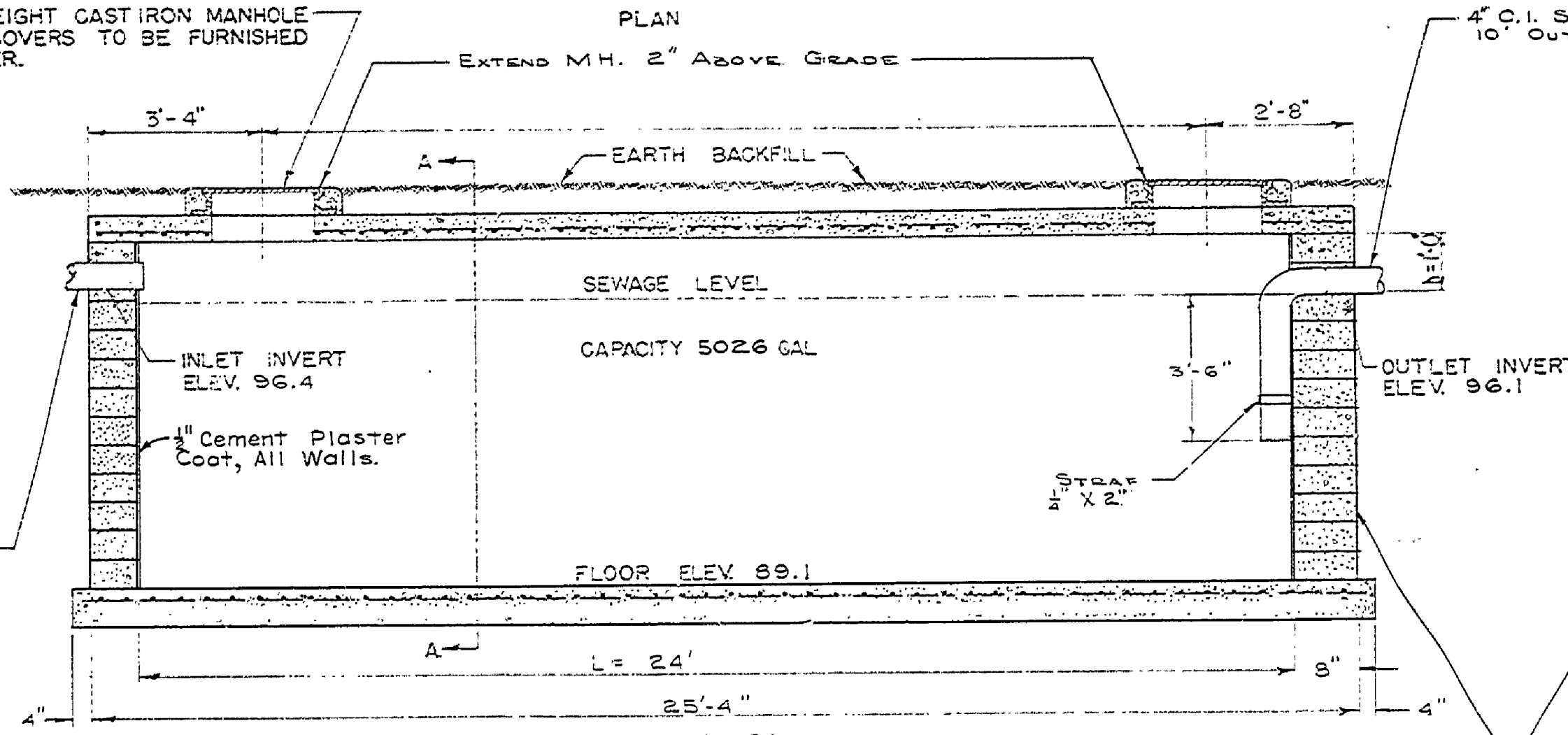
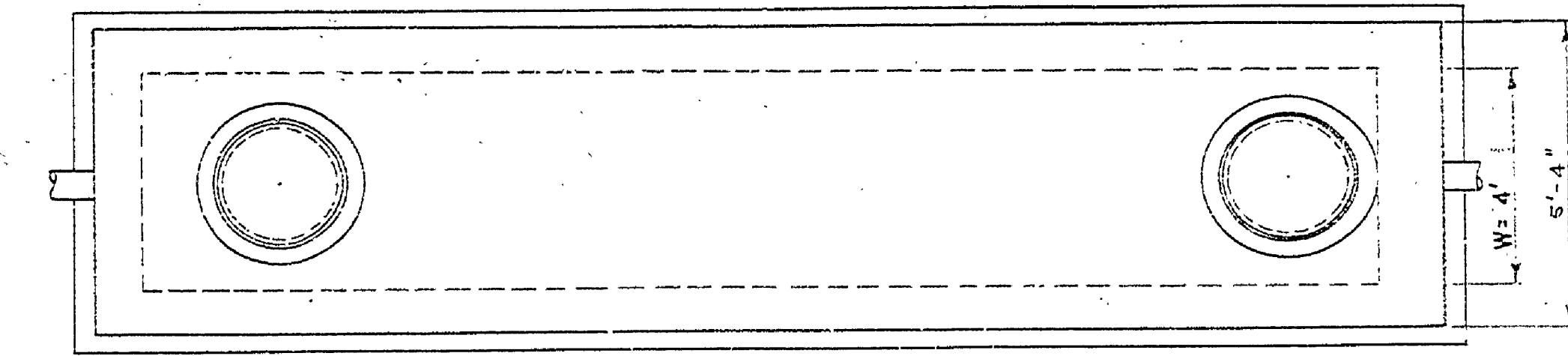
| | |
|------------|------|
| DRAWN BY | DATE |
| TRACED BY | |
| CHECKED BY | |
| DATE | |

~~NOTES FOR DOSING CHAMBER~~
 SEE PLAN NO. SE-119 FOR STEEL REINFORCING DETAILS AND DETAIL DIMENSIONS OF DOSING CHAMBER.
 USE SIPHON WITH DRAIN DOWN.
 USE S, H, K, L, M, N, O, P, Q, R, S, T, U, V, W, X, Y, Z.

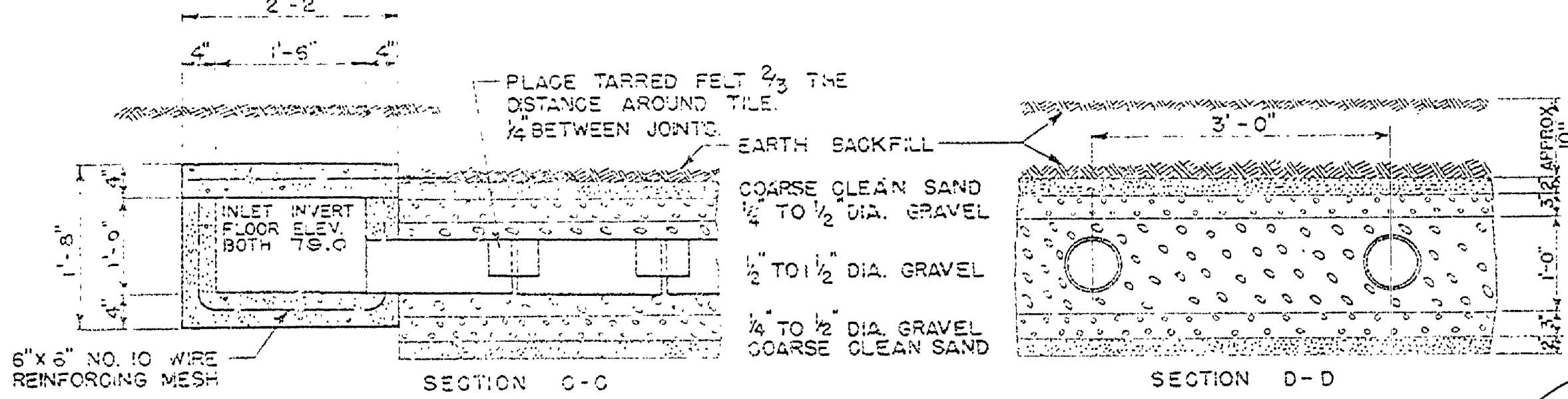
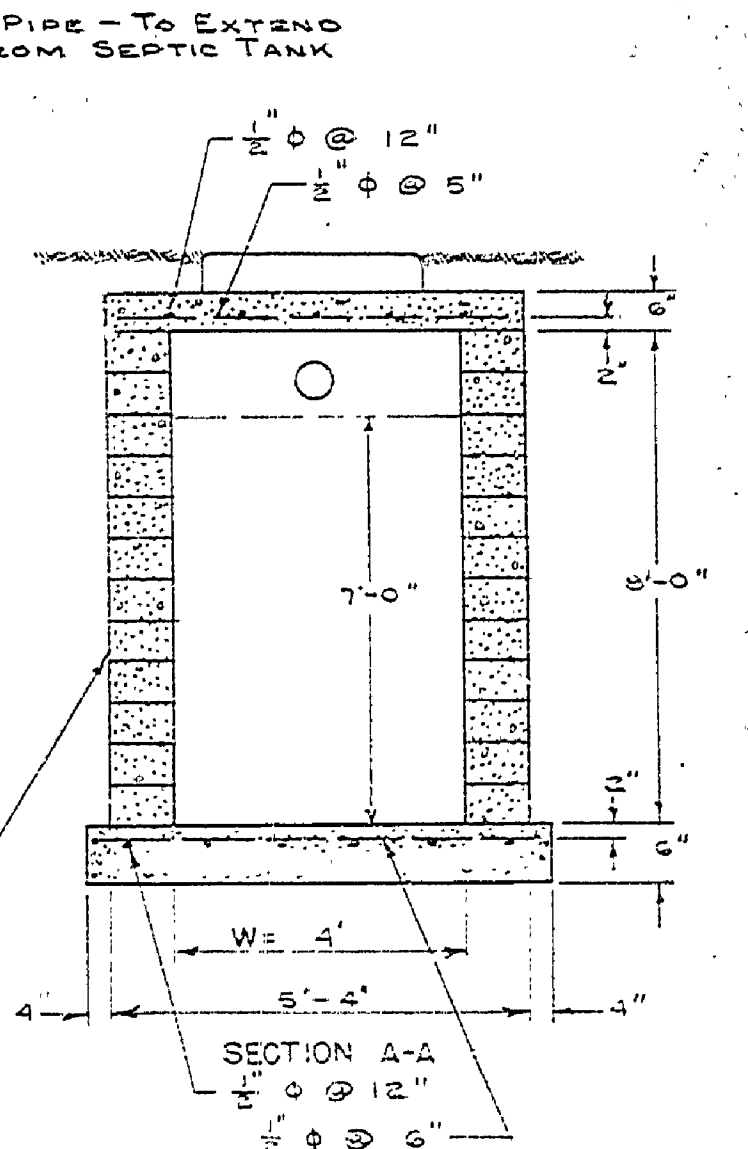
NOTES FOR SEPTIC TANK
 SEE PLAN NO. SE-121 FOR STEEL REINFORCING DETAILS AND DETAIL DIMENSIONS.
 USE S, H, K, L, M, N, O, P, Q, R, S, T, U, V, W, X, Y, Z.



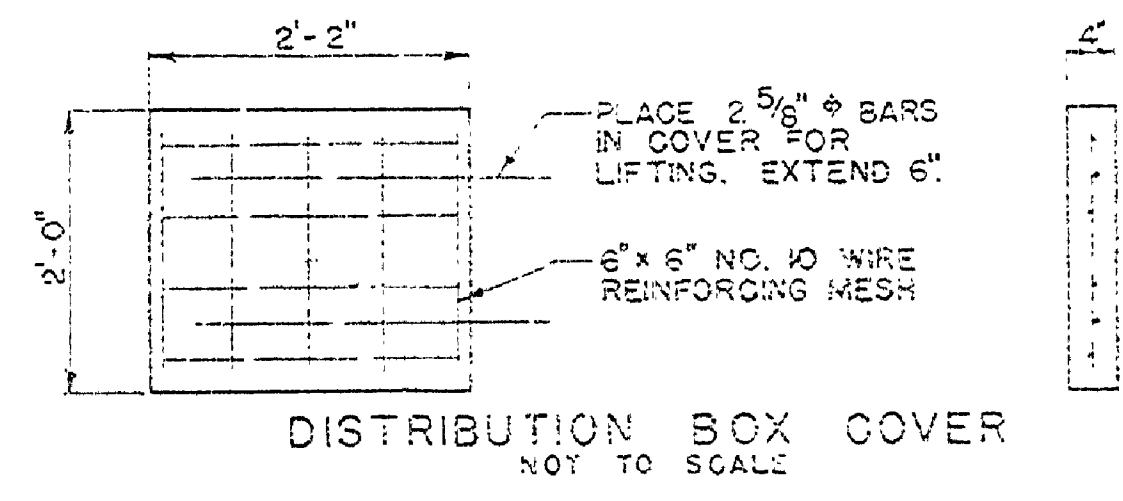
DOSING CHAMBER
NOT TO SCALE



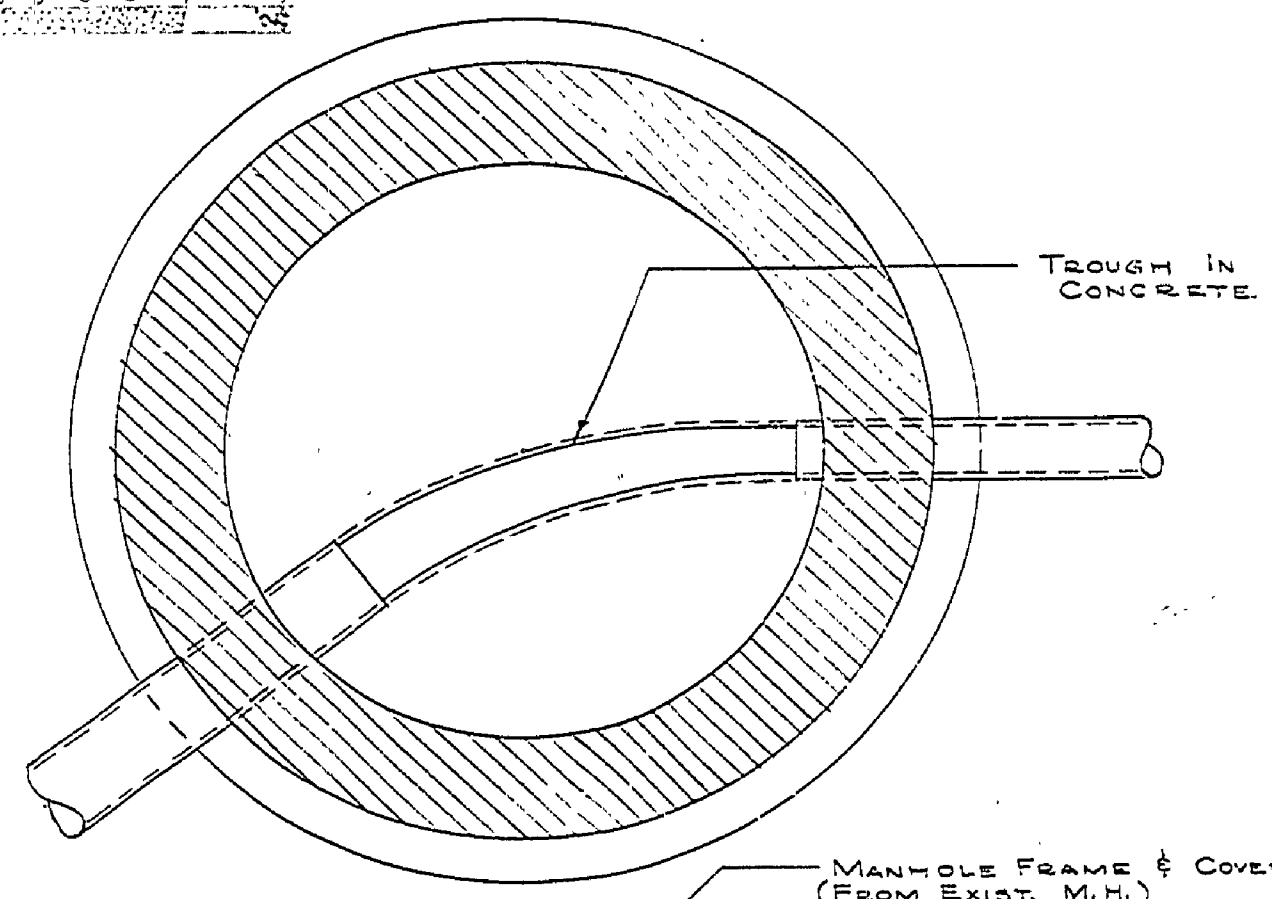
SEPTIC TANK
NOT TO SCALE



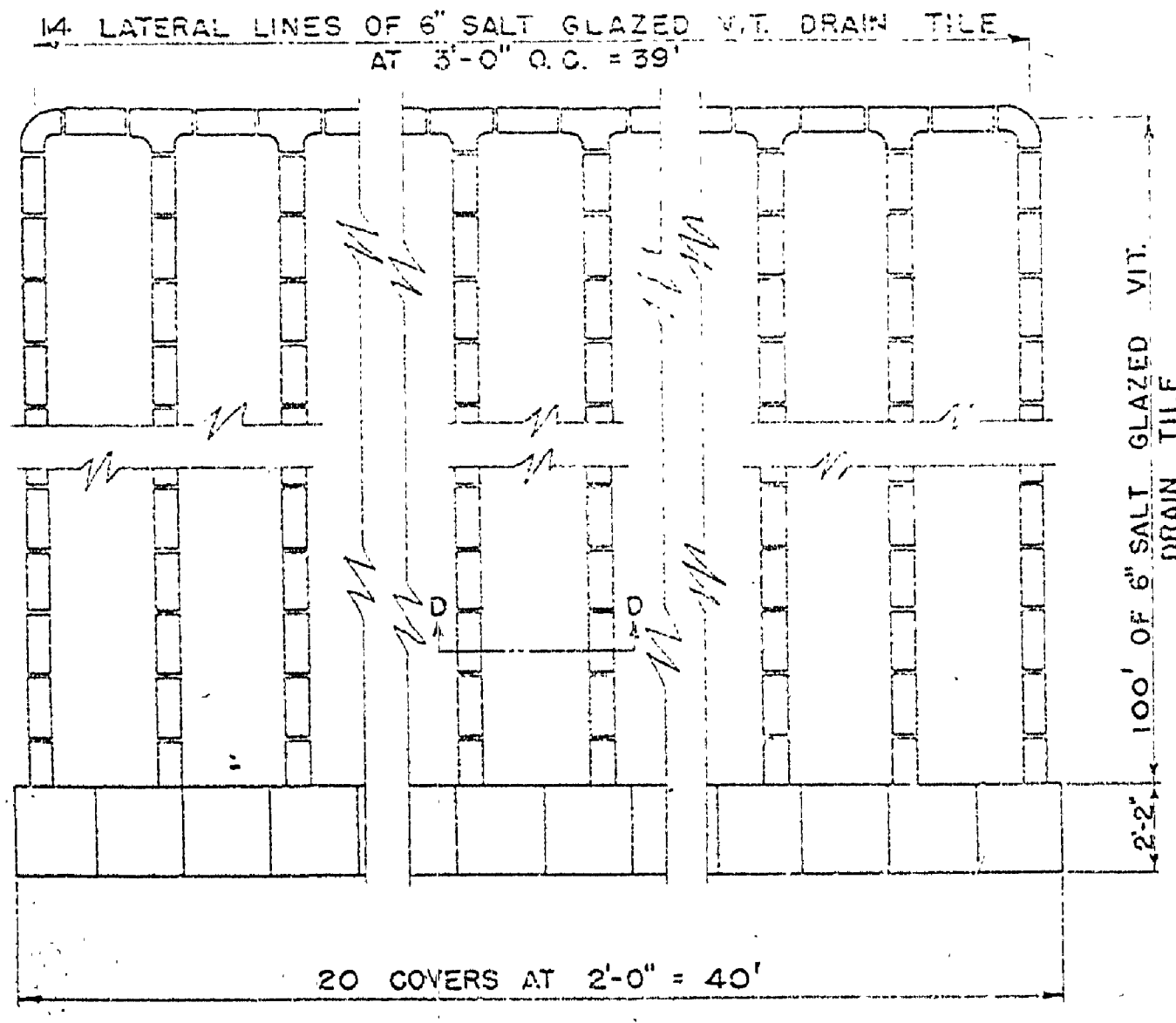
ELEVATION OF DISPOSAL FIELD
NOT TO SCALE



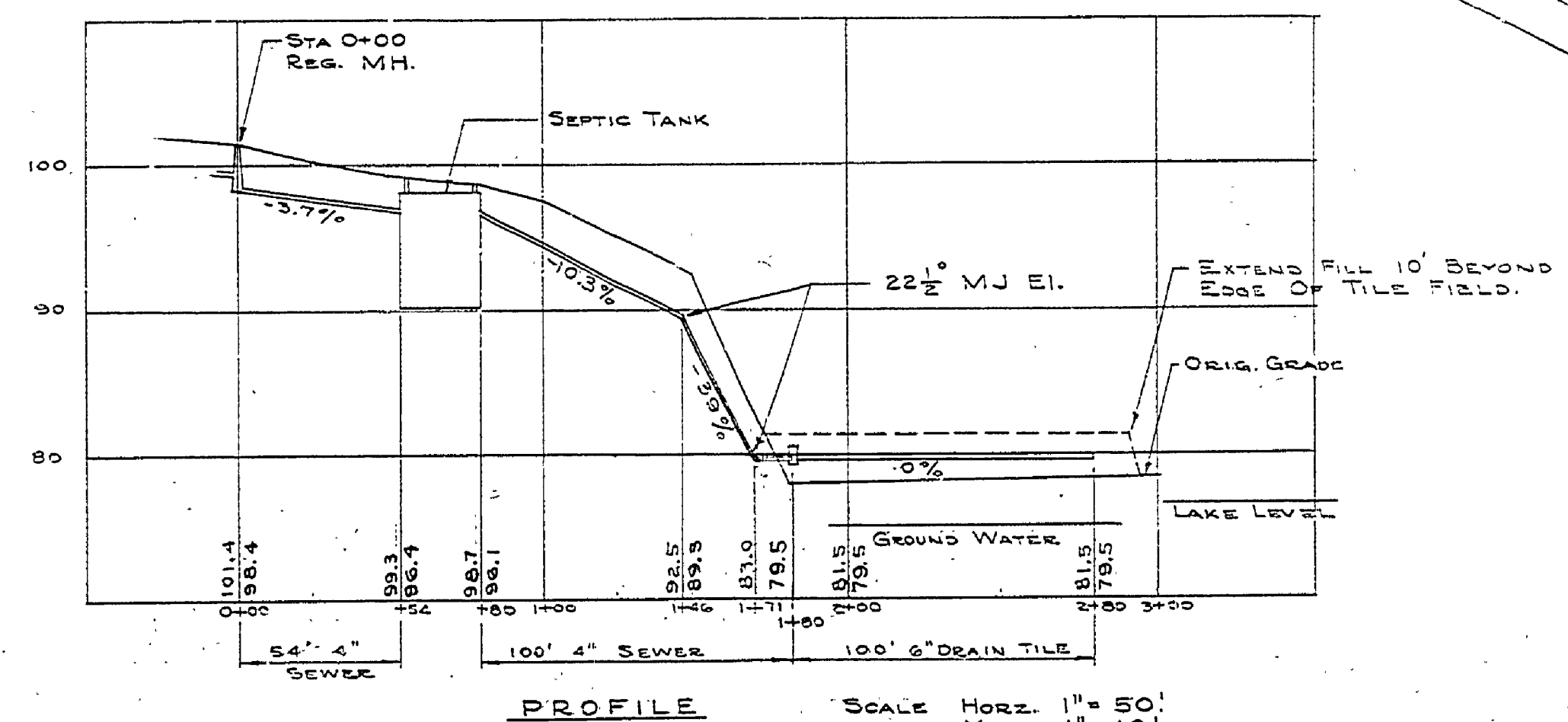
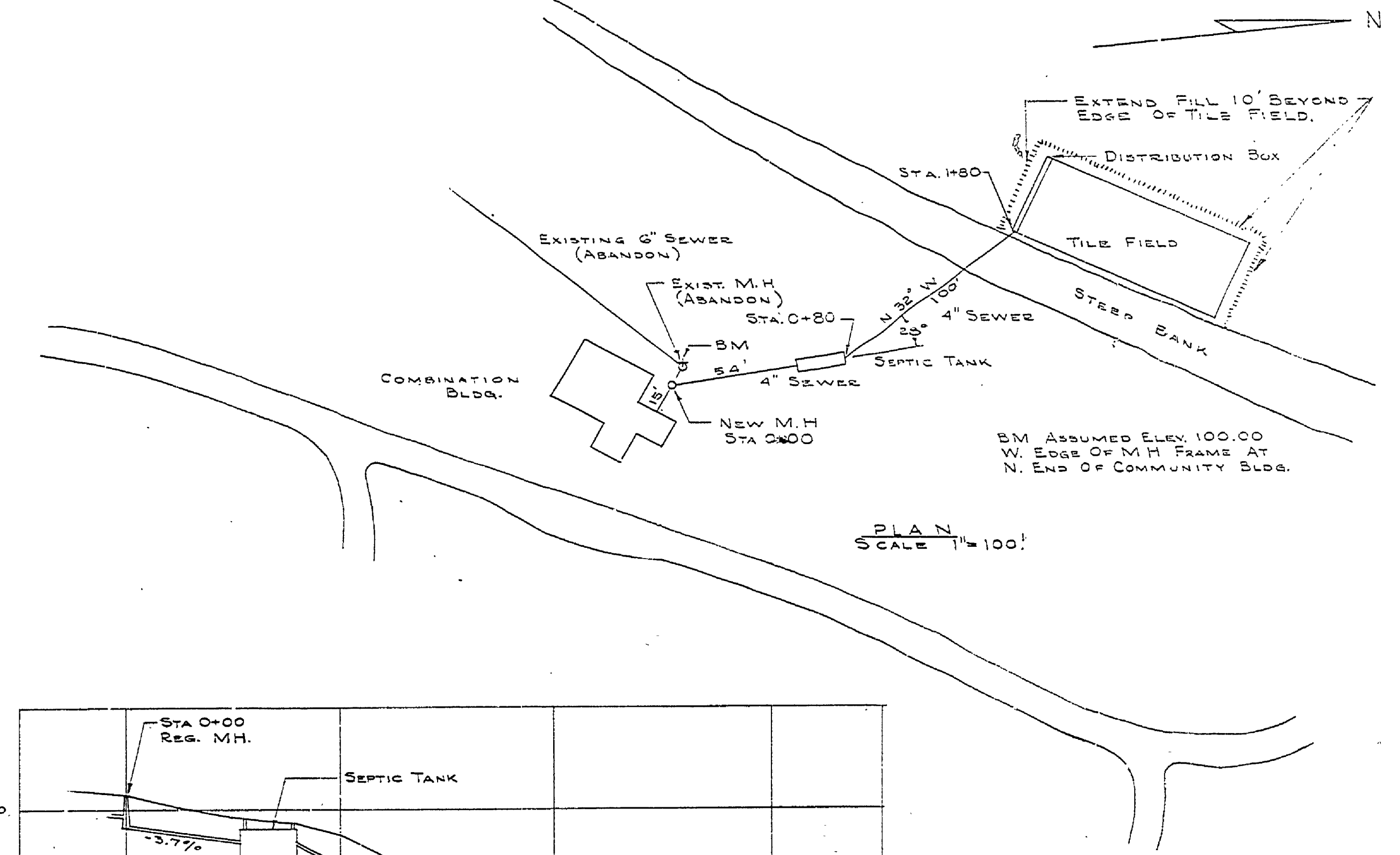
DISTRIBUTION BOX COVER
NOT TO SCALE



MANHOLE
SCALE 3/4" = 1'-0"



PLAN
DISPOSAL FIELD
NOT TO SCALE



PROFILE
SCALE HORIZ. 1" = 50'
VERT. 1" = 10'

MICHIGAN
DEPARTMENT OF CONSERVATION
PARKS AND RECREATION DIVISION

OTSEGO LAKE STATE PARK
COMBINATION BUILDING
SEWAGE DISPOSAL SYSTEM

SHEET NO. OF
PLAN NO. E-106