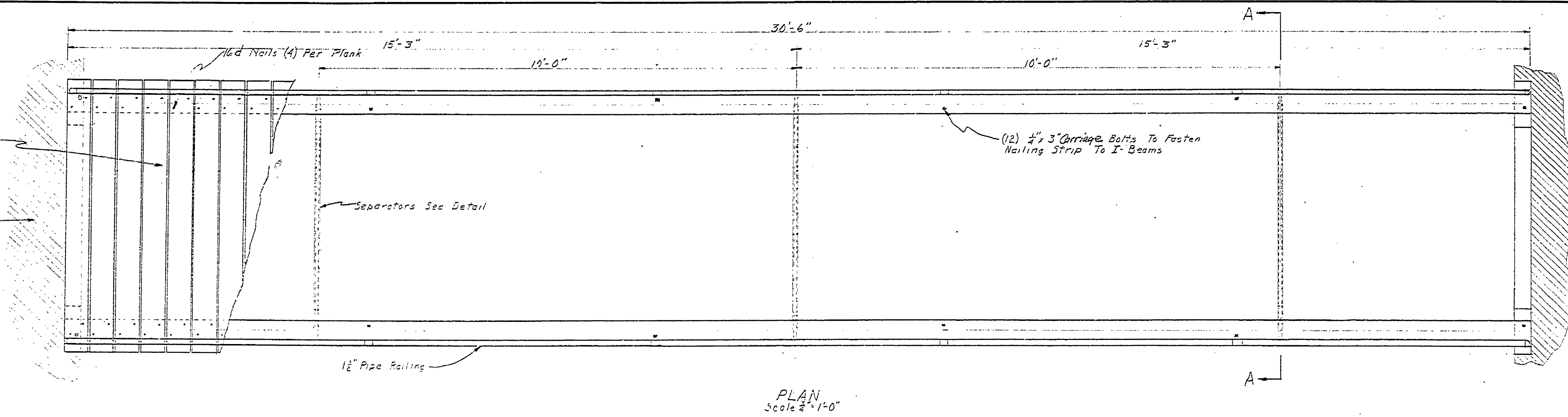


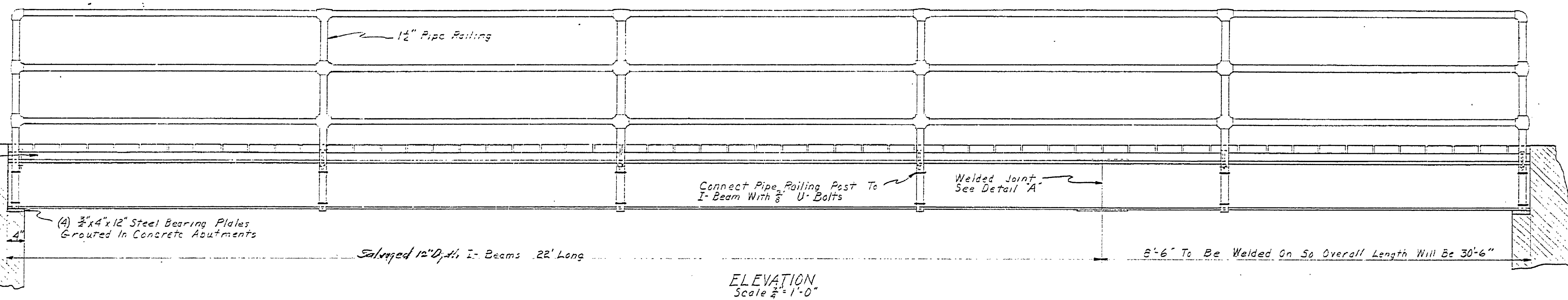
DRAWN BY B. H. G.	CHECKED BY B. H. G.	DATE 13 Jan. 1953	REVIEWED BY SECTIONS		APPROVED BY C. J. R. (Signature)	DATE 1-20-53	NO. DATE BY		REVISIONS
			ARCHITECTURAL J. J. R.	LANDSCAPE J. J. R.			1	2	
TRACED BY			ENGINEERING H. C. M.		ASSISTANT CHIEF IN CHARGE C. J. R.		DATE OF DESIGN 1-20-53		

2" Douglas Fir Planking Pressure Treated With Pentachlorophenol - 4" Space Between Planks

Existing Concrete Abutment



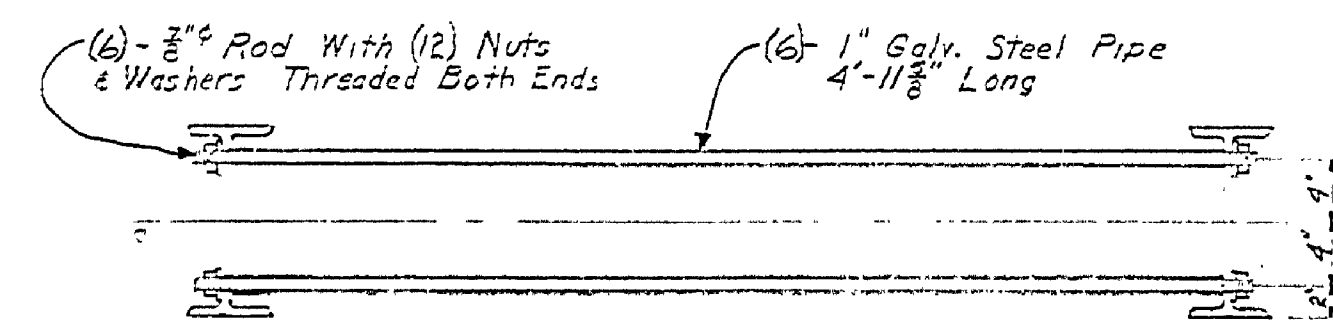
2" x 6" Douglas Fir Nailer Strip Pressure Treated With Pentachlorophenol



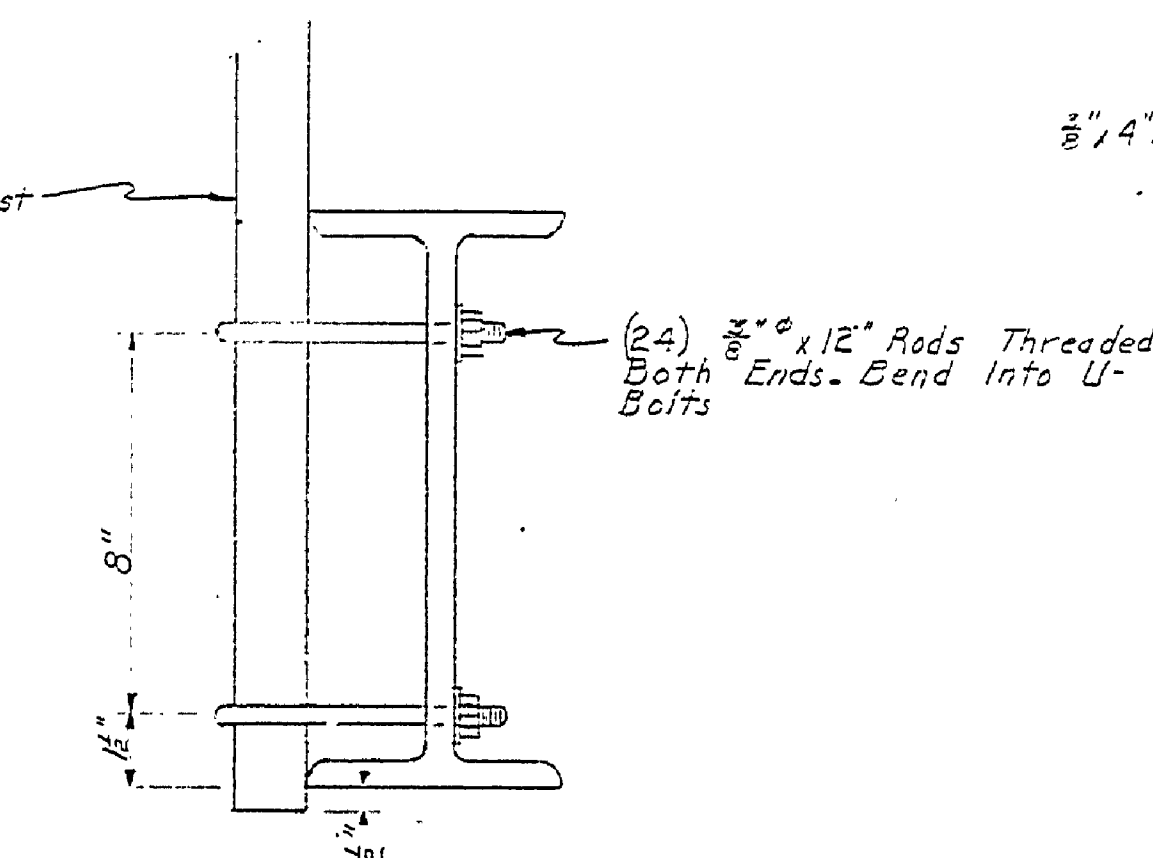
ELEVATION Scale 3/4"=1'-0"

PLAN Scale 3/4"=1'-0"

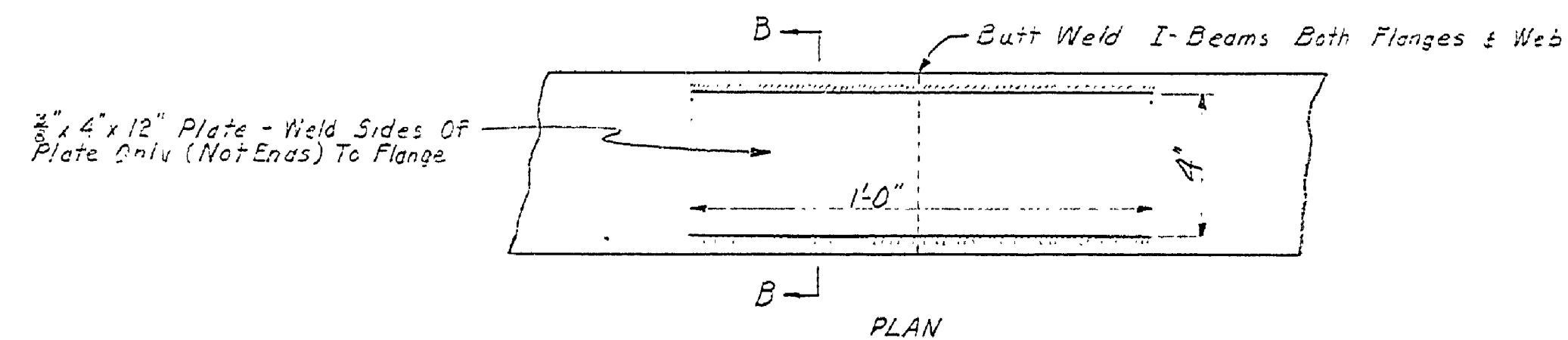
NOTES  
All Welding Is To Conform To The Specifications Of The American Welding Society For Bridges



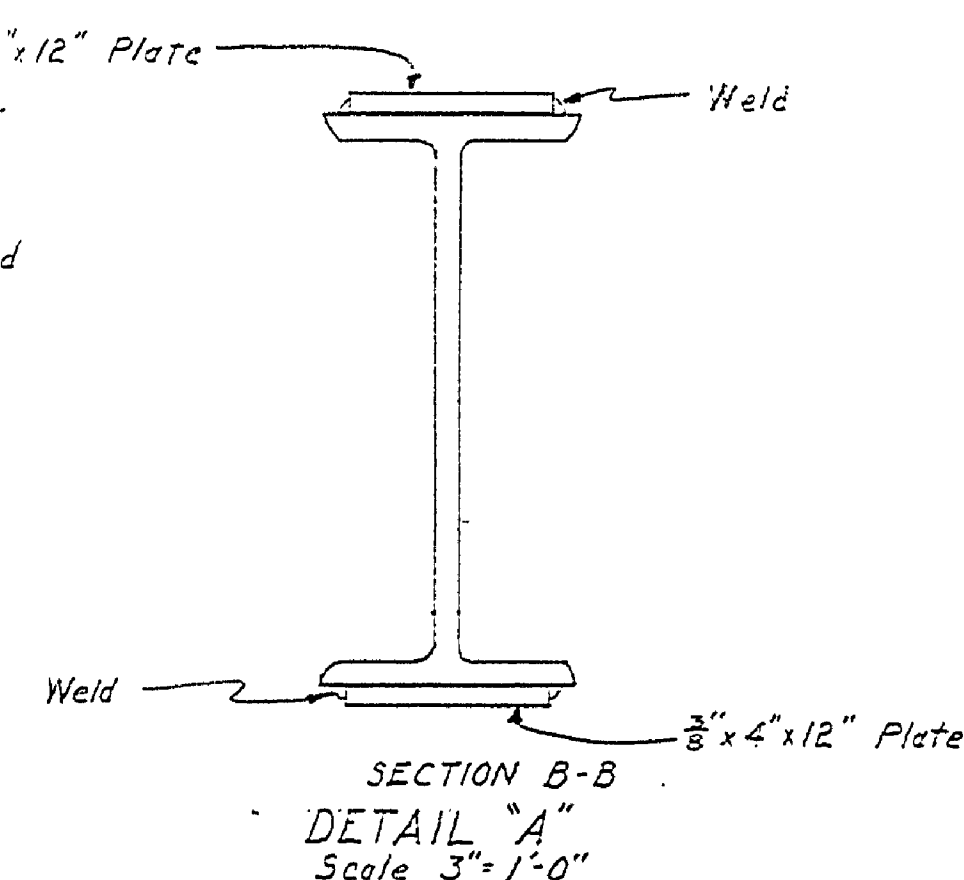
ELEVATION OF SEPARATORS Scale 1 1/2"=1'-0"



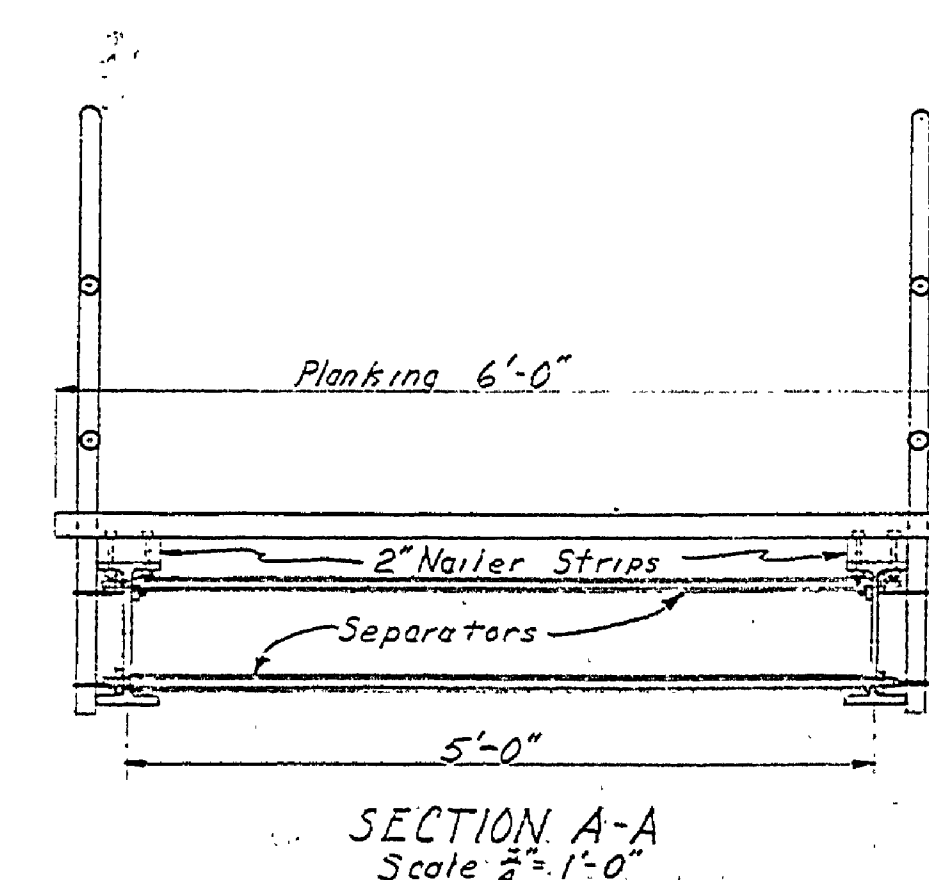
POST CONNECTION Scale 3/4"=1'-0"



PLAN



SECTION B-B DETAIL "A" Scale 3/4"=1'-0"



SECTION A-A Scale 3/4"=1'-0"

MICHIGAN DEPARTMENT OF CONSERVATION PARKS AND RECREATION DIVISION

GRAND HAVEN STATE PARK FOOT BRIDGE TO MINNOW CONCESSION Scale As Shown

SHEET NO. 1 OF 1

PLAN NO. E-102