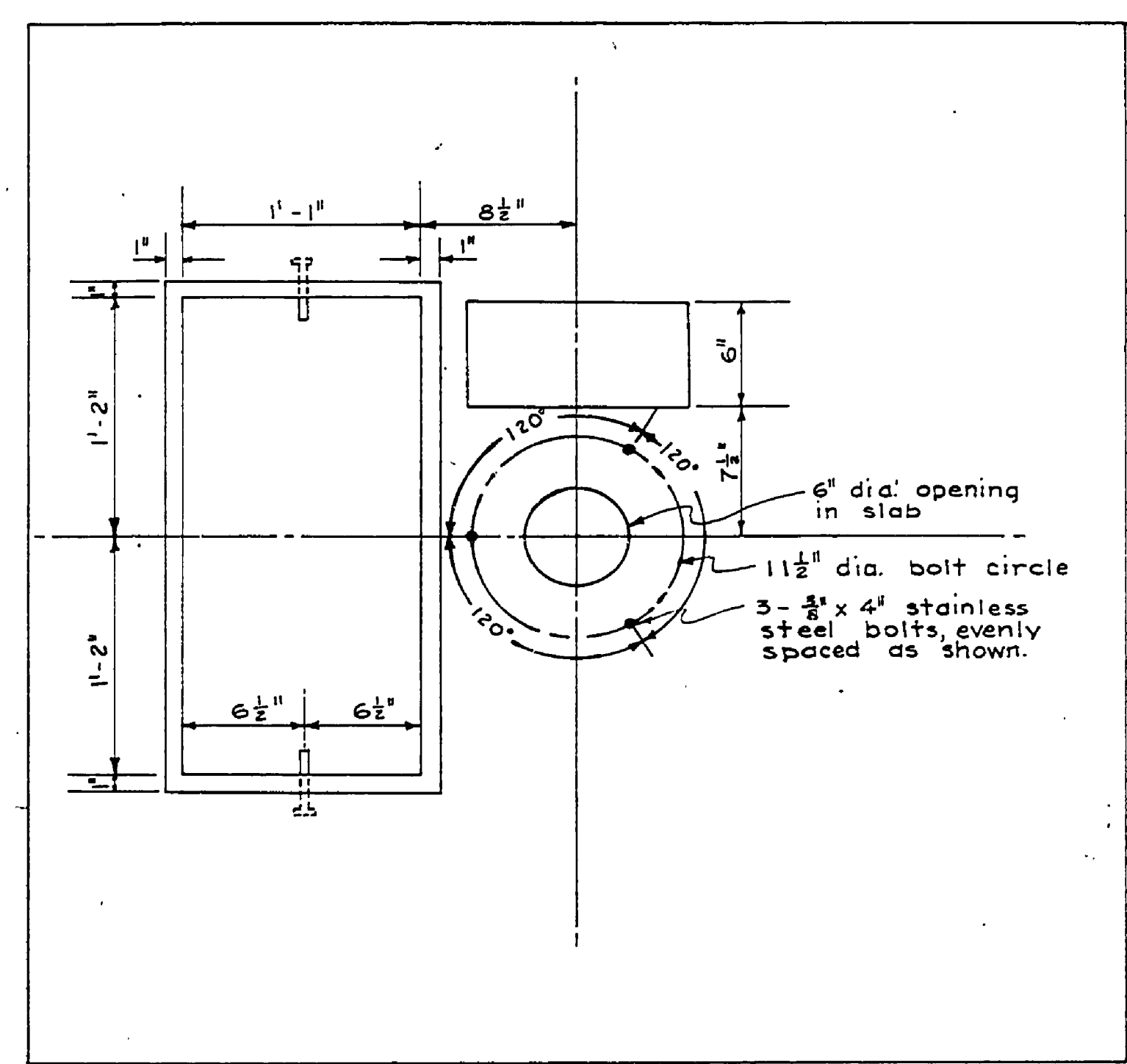
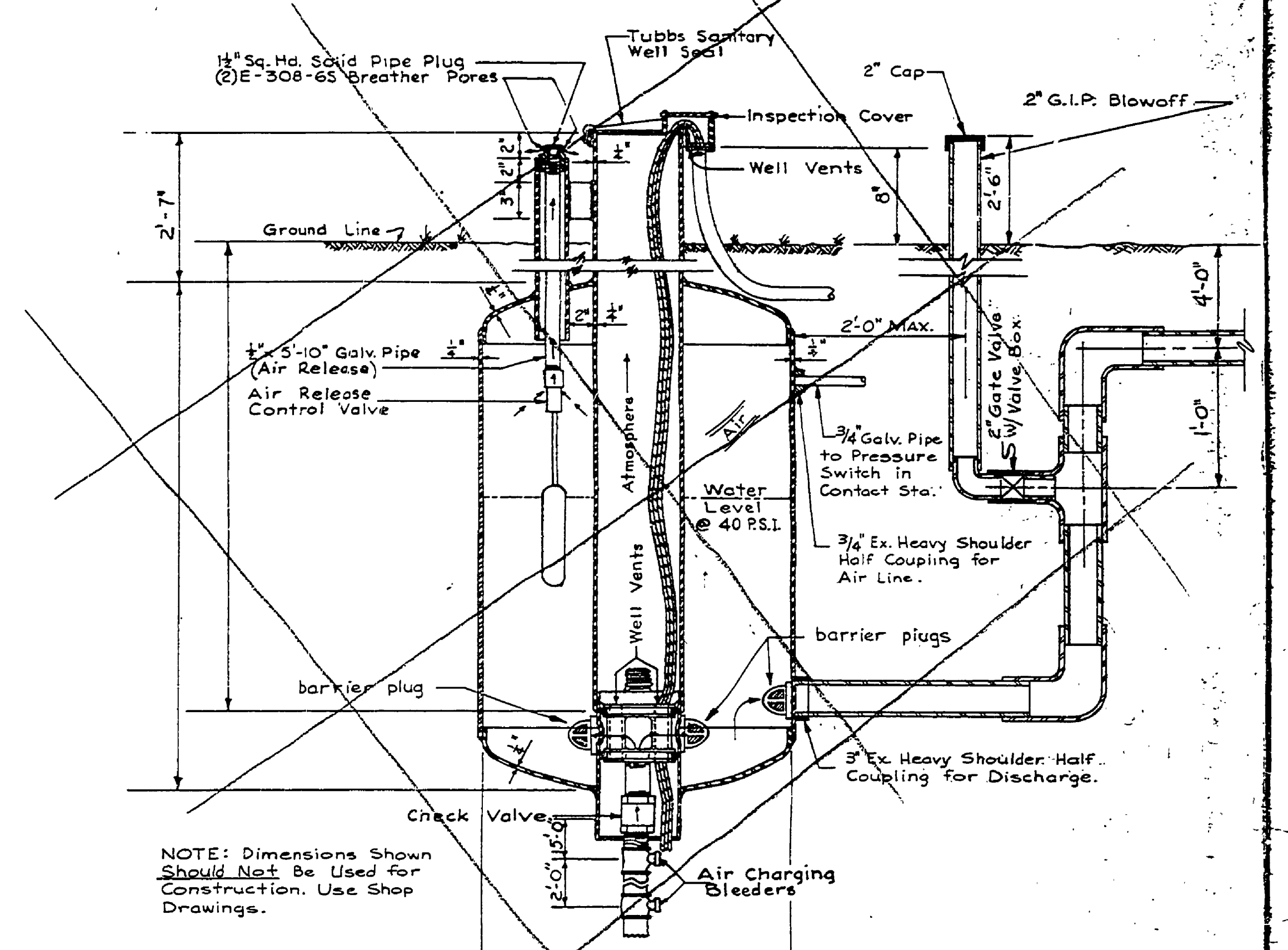


PLAN
1/2" = 1'-0"

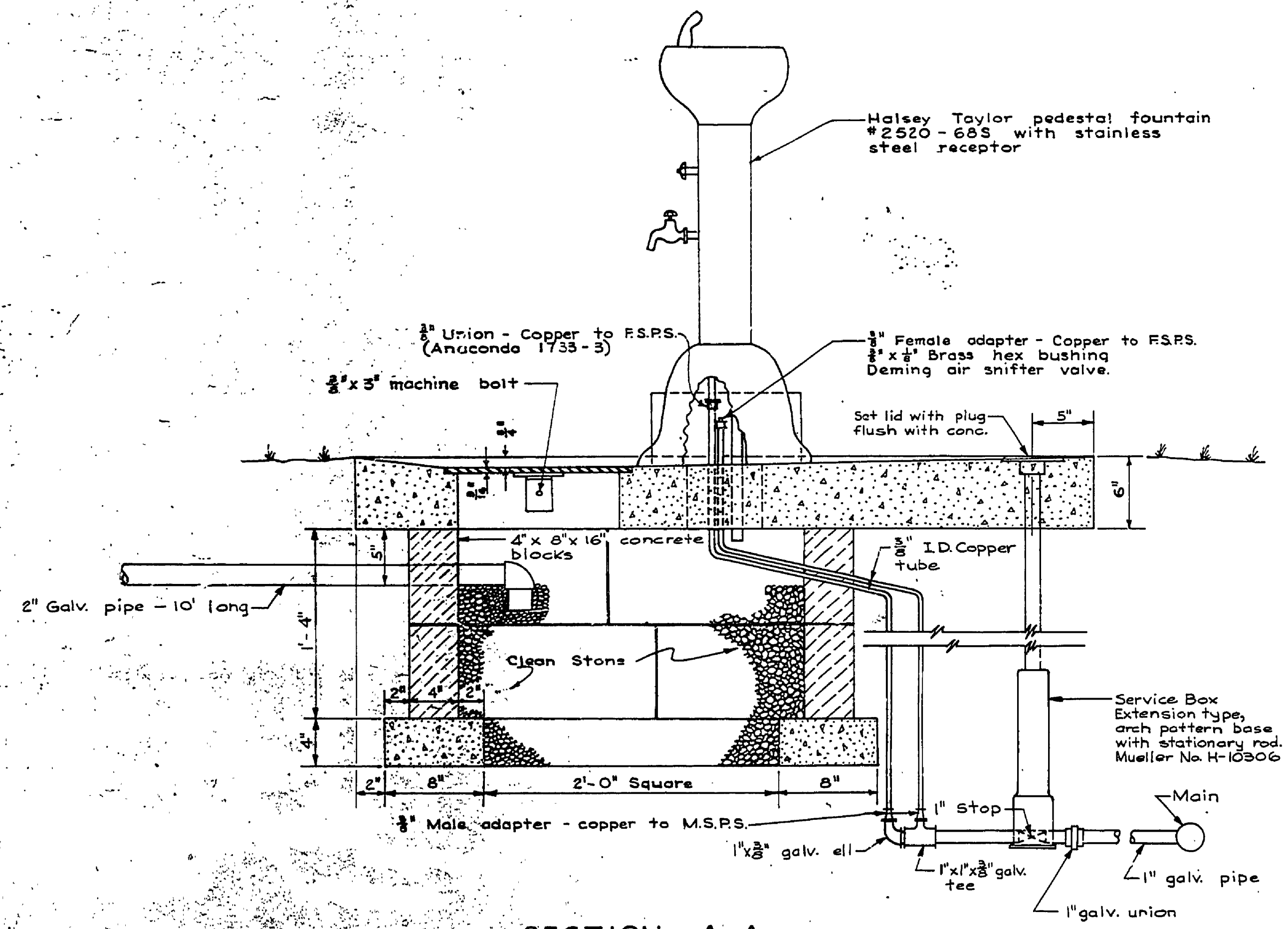


PLAN OF CONCRETE SLAB
1 1/2" = 1'-0"



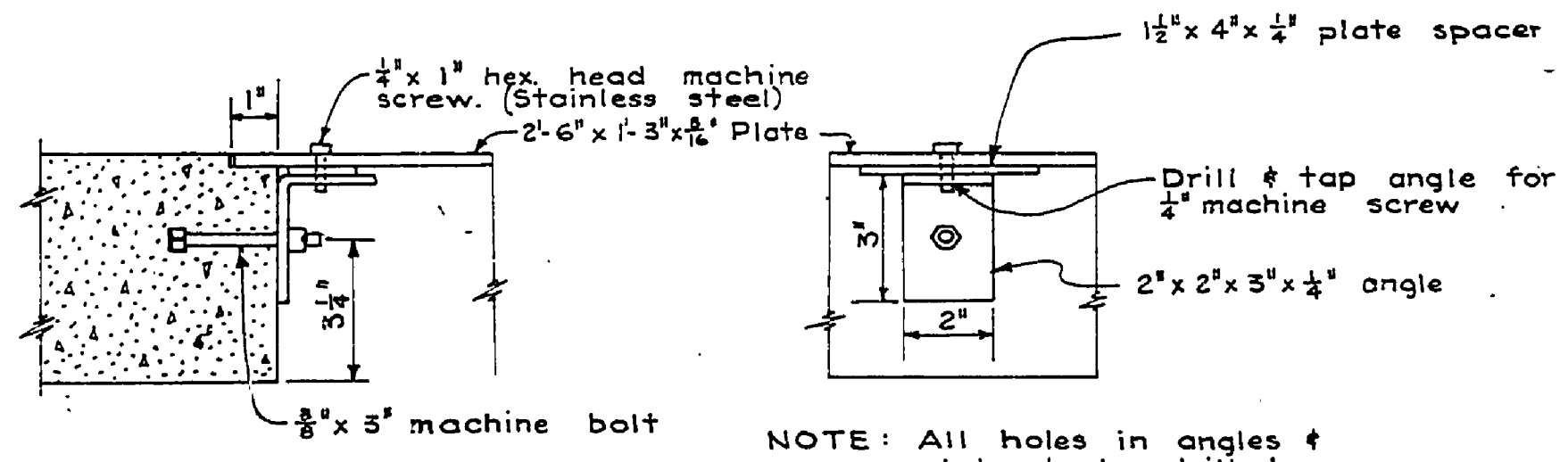
NOTE: Dimensions Shown Should Not Be Used for Construction. Use Shop Drawings.

GALLON PITLESS ADAPTER TANK
No Scale

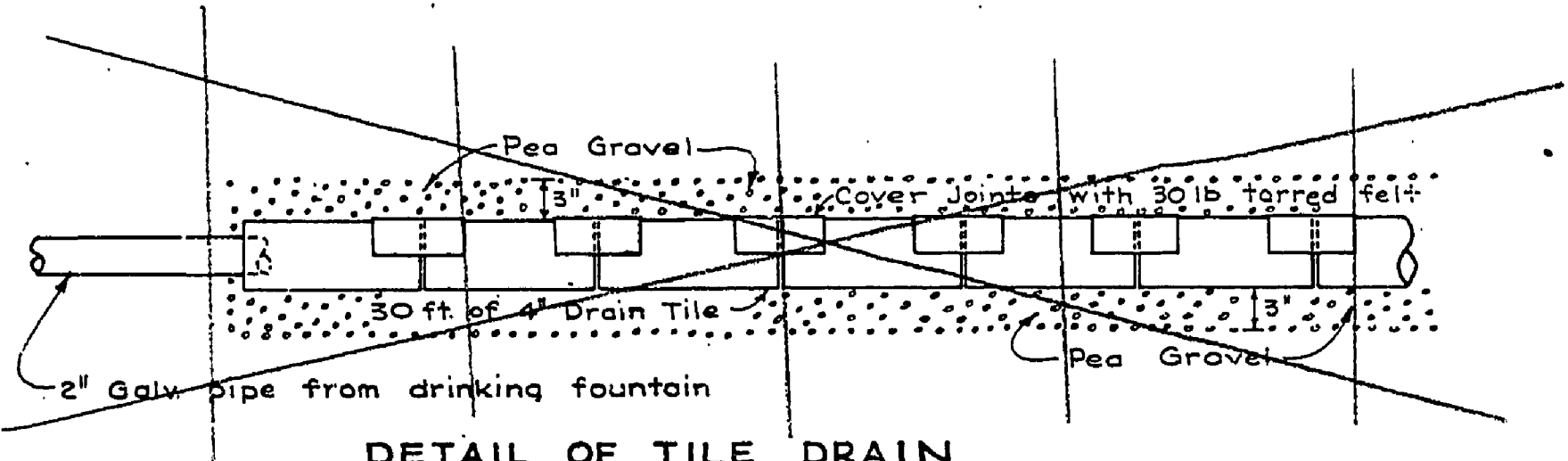


SECTION A-A
1/2" = 1'-0"

NOTE: Shut-off valve in service box. Open faucet on fountain and pump air through sniffer valve for winter shut down.



DETAIL FOR FASTENING GRATING TO CONCRETE SLAB
3" = 1'-0"



DETAIL OF TILE DRAIN

SURVEYED BY	DESIGNED BY	DRAWN BY	DATE	NO.	DATE	BY	REVISIONS	NO.	DATE	BY	REVISIONS	MICHIGAN DEPARTMENT OF CONSERVATION	DRINKING FOUNTAIN PLAN	SHEET NO. 7 OF 7	FOR PROJECT NO. 110-75-2492-061 CA	GRAND HAVEN STATE PARK	SHEET 7 OF 7	PLAN NO. SE-149
BARKER		COTE	Sept. '63	1.	6-63	H.L.R.	Extension Type Service Box in Slab	3.										
		W.H.E.	9-63	2.				4.										