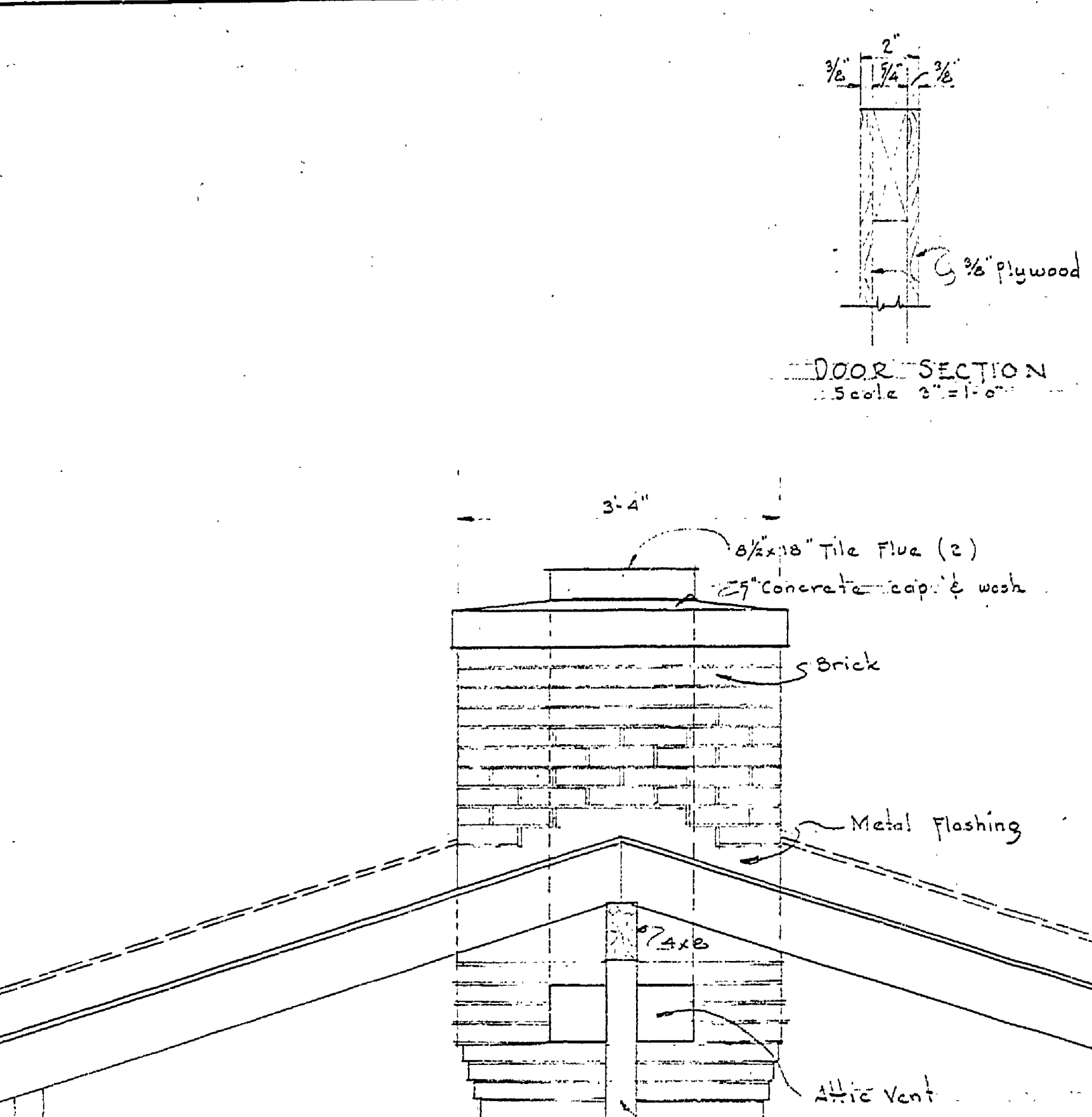
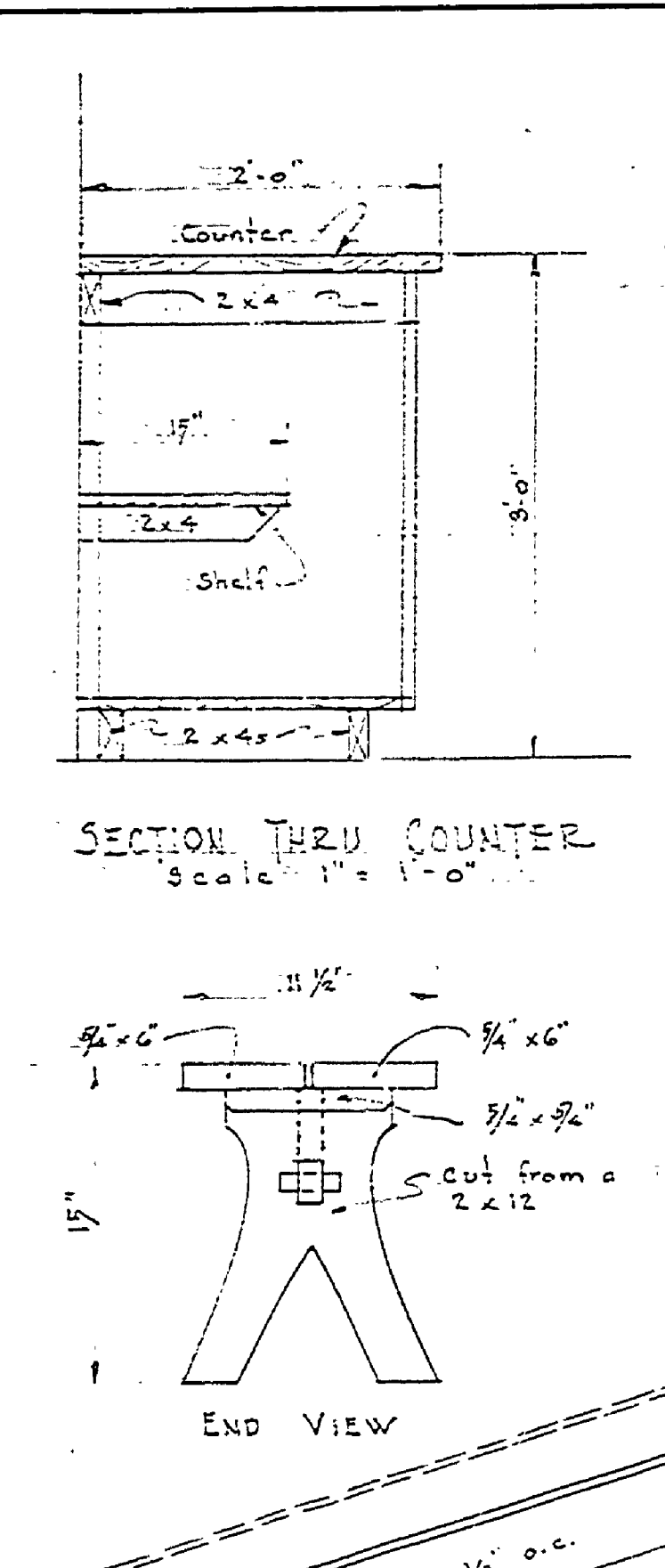
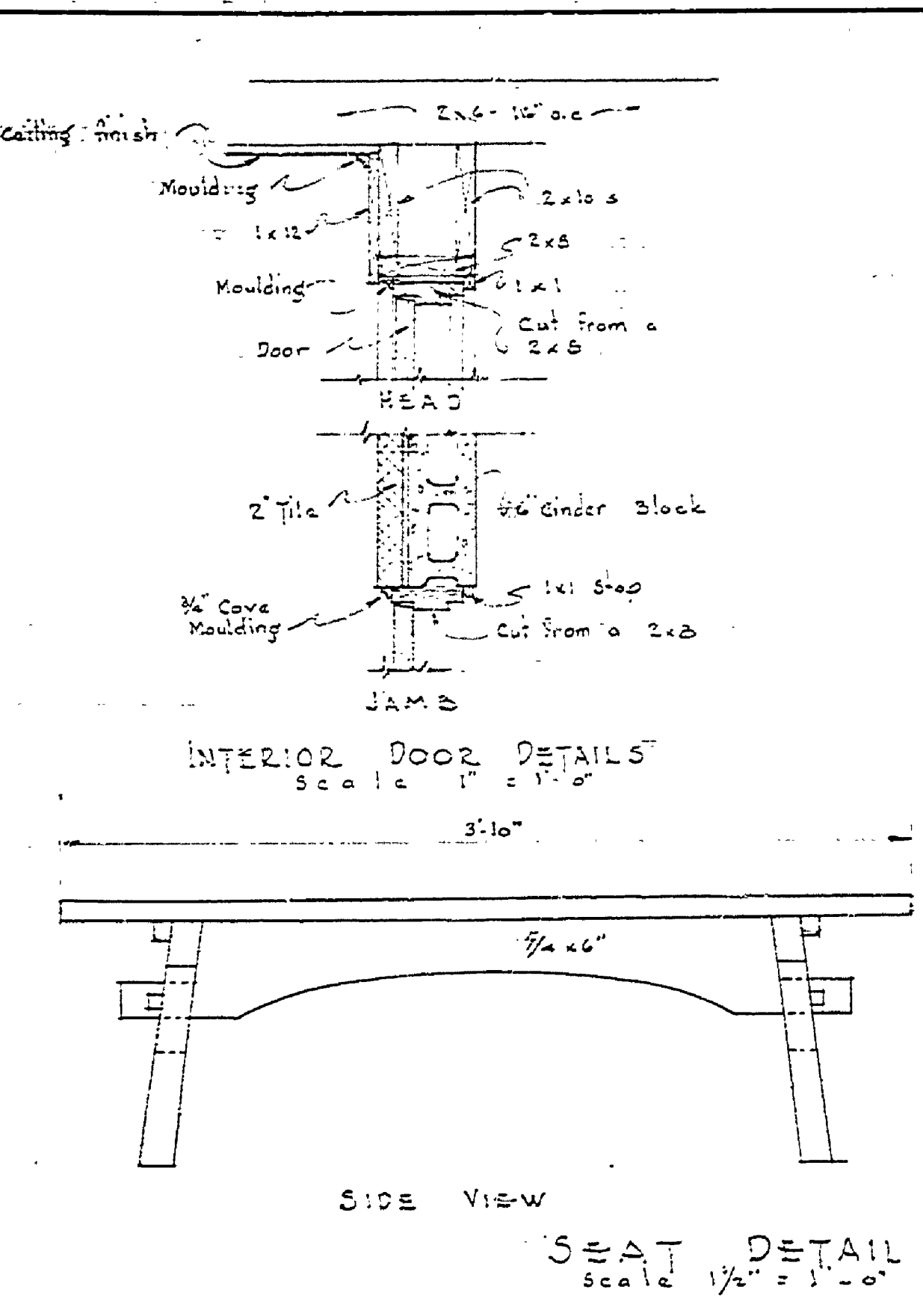


NO.	DATE	BY	REVISIONS
1			4
2			5
3			6



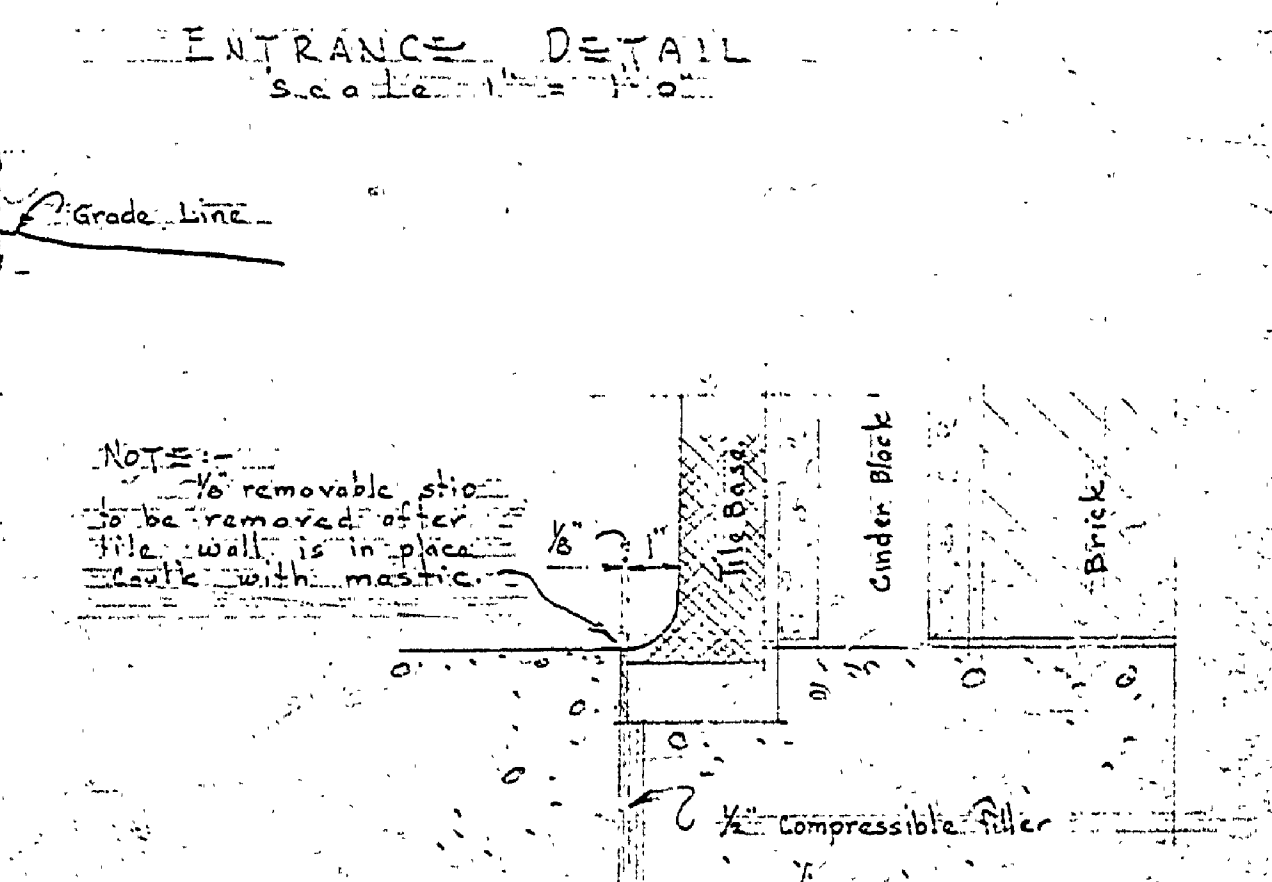
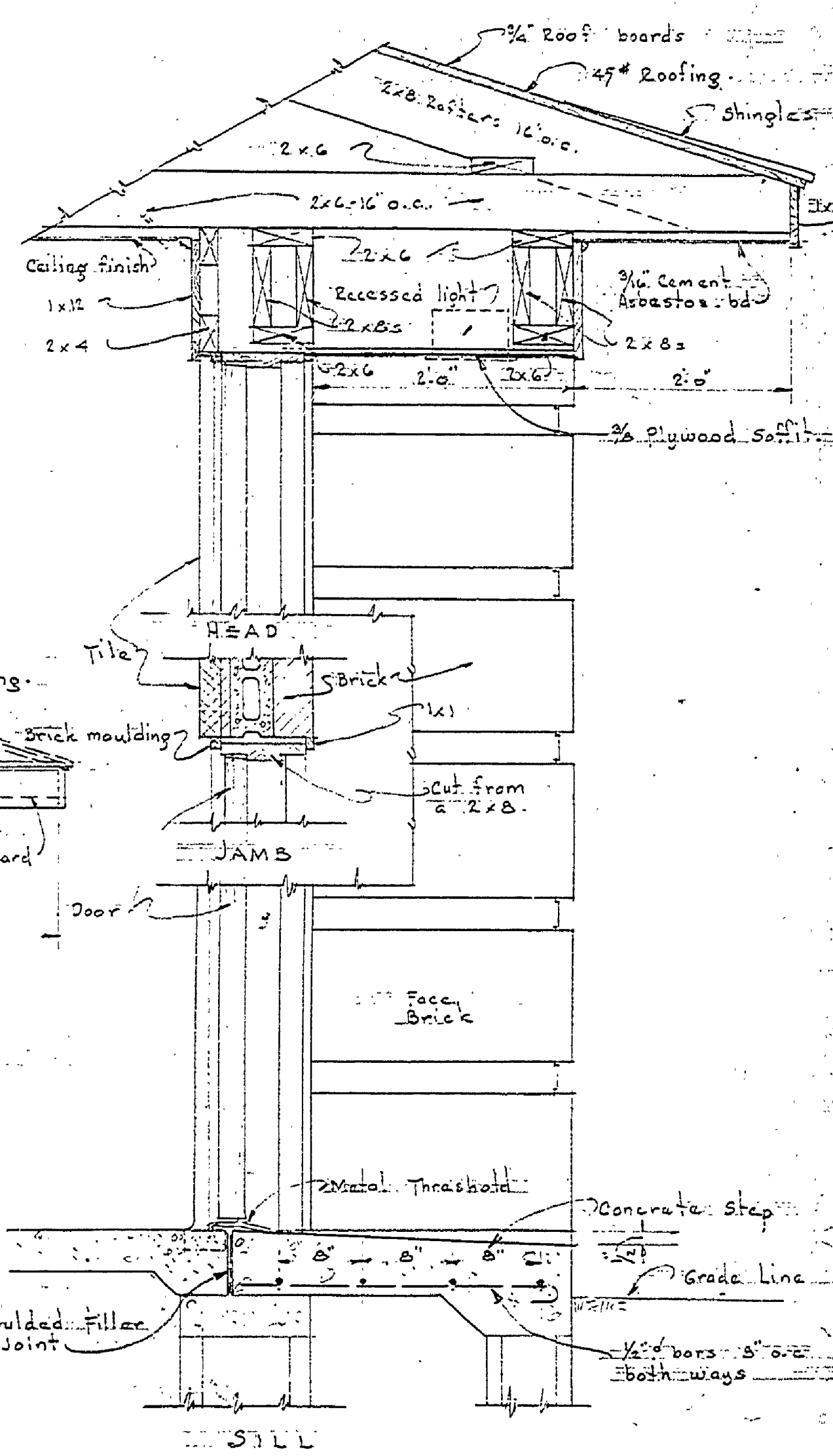
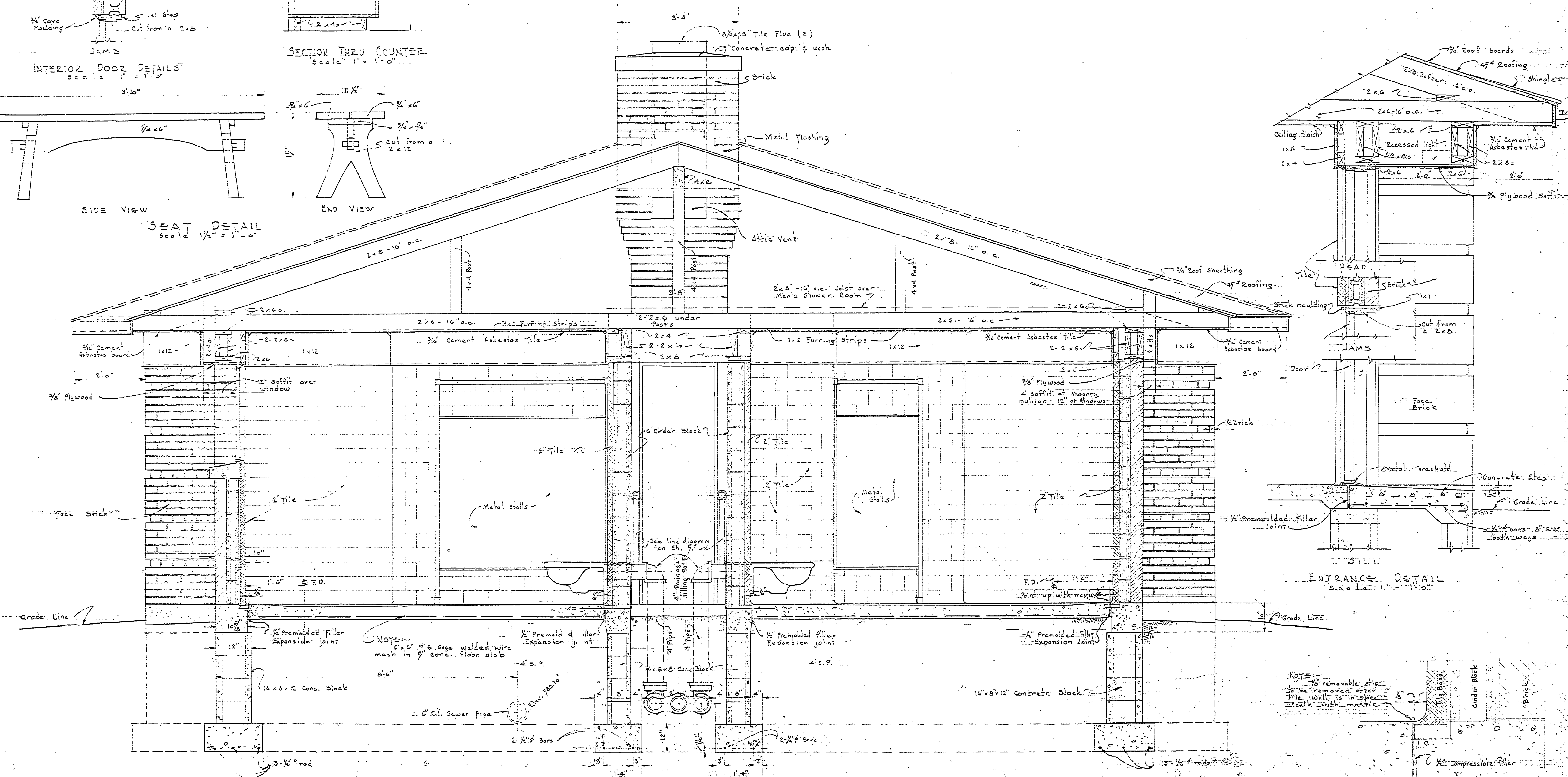
DOOR SCHEDULE

DOORS	TYPE	FINISH
doors A, one 2' x 7' 0"	slab flush	flush
doors B, one 2' x 7' 0"	slab flush	flush
doors C, one 2' x 7' 0"	slab flush	flush
doors D, one 2' x 7' 0"	slab flush	flush
doors E, one 2' x 7' 0"	slab flush	flush
doors F, one 2' x 7' 0"	slab flush	flush
doors G, one 2' x 7' 0"	slab flush	flush
doors H, one 2' x 7' 0"	slab flush	flush
doors I, one 2' x 7' 0"	slab flush	flush
doors J, one 2' x 7' 0"	slab flush	flush
doors K, one 2' x 7' 0"	slab flush	flush
doors L, one 2' x 7' 0"	slab flush	flush
doors M, one 2' x 7' 0"	slab flush	flush
doors N, one 2' x 7' 0"	slab flush	flush
doors O, one 2' x 7' 0"	slab flush	flush
doors P, one 2' x 7' 0"	slab flush	flush
doors Q, one 2' x 7' 0"	slab flush	flush
doors R, one 2' x 7' 0"	slab flush	flush
doors S, one 2' x 7' 0"	slab flush	flush
doors T, one 2' x 7' 0"	slab flush	flush
doors U, one 2' x 7' 0"	slab flush	flush
doors V, one 2' x 7' 0"	slab flush	flush
doors W, one 2' x 7' 0"	slab flush	flush
doors X, one 2' x 7' 0"	slab flush	flush
doors Y, one 2' x 7' 0"	slab flush	flush
doors Z, one 2' x 7' 0"	slab flush	flush

FINISH SCHEDULE

ROOMS	FLOOR	BASE	WALLS	TRIM	CEILING	PAINTED	PAINTED	REMARKS
Women's Toilet	Concrete	Tile	Tile	Wood	1/2" Cement Asb. Bd.	Wood	Ceiling	
Men's Toilet	Concrete	Tile	Tile	Wood	1/2" Cement Asb. Bd.	Wood	Ceiling	
Laundry	Concrete	None	Under Block	Wood	1/2" Cement Asb. Bd.	Wood	Ceiling	
Janitor's Closets	Concrete	None	Under Block	None	None	None	None	None to roof
Pipe Alley	Earth	None	Under Block	None	None	None	None	None to roof

NOTE: Interior and exterior wood finish to be painted to match the existing bathhouse.
Shingle roof to be finished with Carba-Sote creosote stain (method shall be by immersion).



NOTE: 1. 2" x 6" #6 Gage welded wire mesh in 7" conc. floor slab.
2. 1/2" pre-molded filler expansion joint.
3. 1/2" pre-molded filler expansion joint.
4. 1/2" pre-molded filler expansion joint.
5. 1/2" pre-molded filler expansion joint.