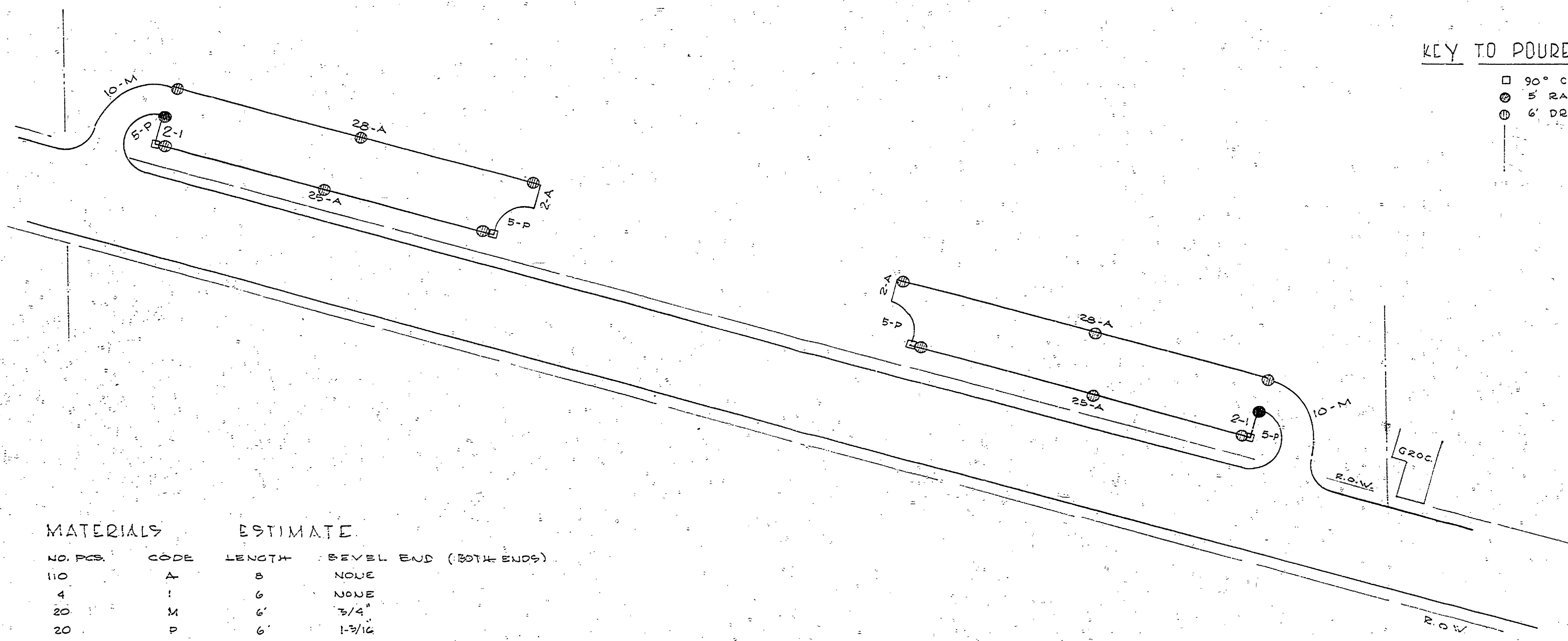


DESIGNED BY	DRAWN BY	CHECKED BY	DATE	REVIEWED	DATE	APPROVED	DATE	NO.	DATE	BY	REVISIONS	DATE	BY
K. K. B.	J. V. B.		2-61	ARCHITECTURAL	3-7-61		3-7-61	1			1		
			2-61	ENGINEERING	4-3-61		4-3-61	2			2		
			2-61	LANDSCAPE	4-26-61		4-26-61	3			3		



KEY TO POURED IN PLACE ITEMS

- 90° CORNER SECTION
- ⊙ 5' RADIUS CURVE CORNER
- ⊕ 6' DRAIN OPENINGS

MATERIALS		ESTIMATE	
NO. PCS.	CODE	LENGTH	SEVEL END (BOTH ENDS)
110	A	8	NONE
4	I	6	NONE
20	M	6'	3/4"
20	P	6'	1-3/16"

POURED IN PLACE ITEMS

- 12 - DRAIN OPENINGS
- 4 - 90° CORNER SECTIONS
- 2 - 5' RADIUS CURVE CORNER SECTION

MATERIALS FOR ABOVE

- 4 Bbls. Cement
- 3.5 Cu. Yds. Concrete Gravel
- 228 Lin. Ft. of 3/8" Rod
- 18 Pcs. 1/2" x 24" Anchor Pins
- Lumber as required for forming

SCALE 1" = 40'

MICHIGAN
DEPARTMENT OF CONSERVATION
PARKS AND RECREATION DIVISION

TRAVERSE CITY STATE PARK
PRECAST CURB ESTIMATE

SHEET
NO. _____
OF _____

PLAN NO.
L-108