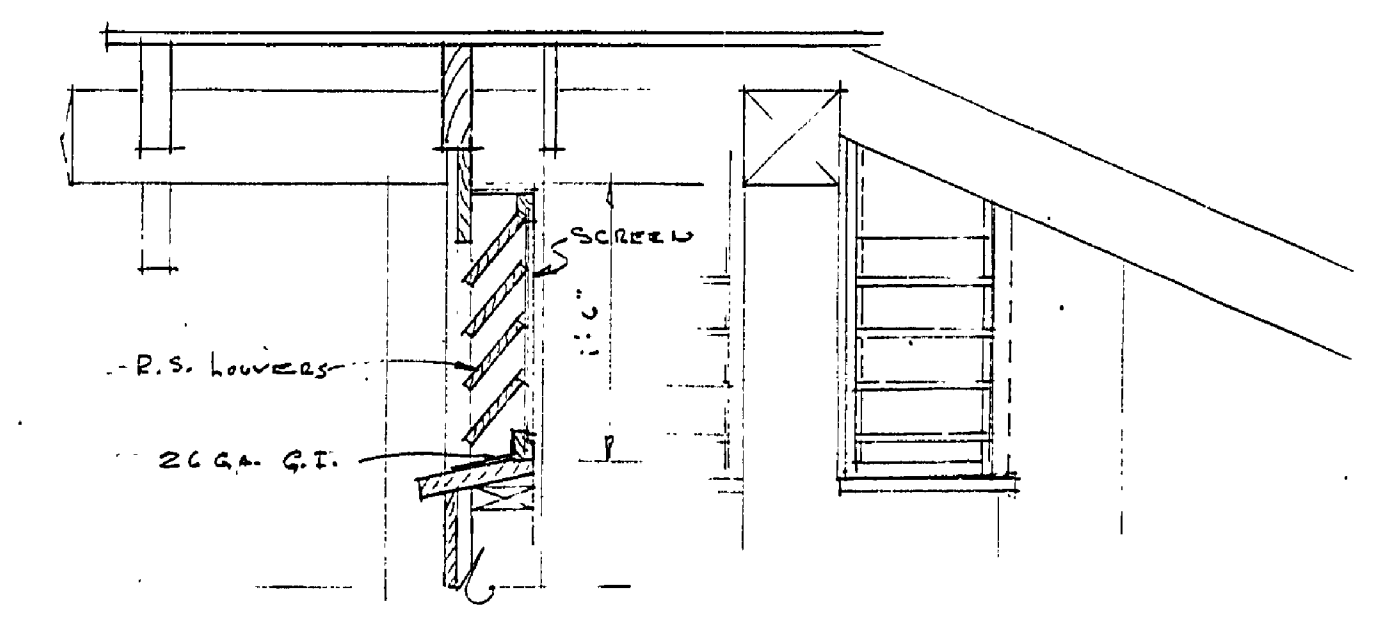
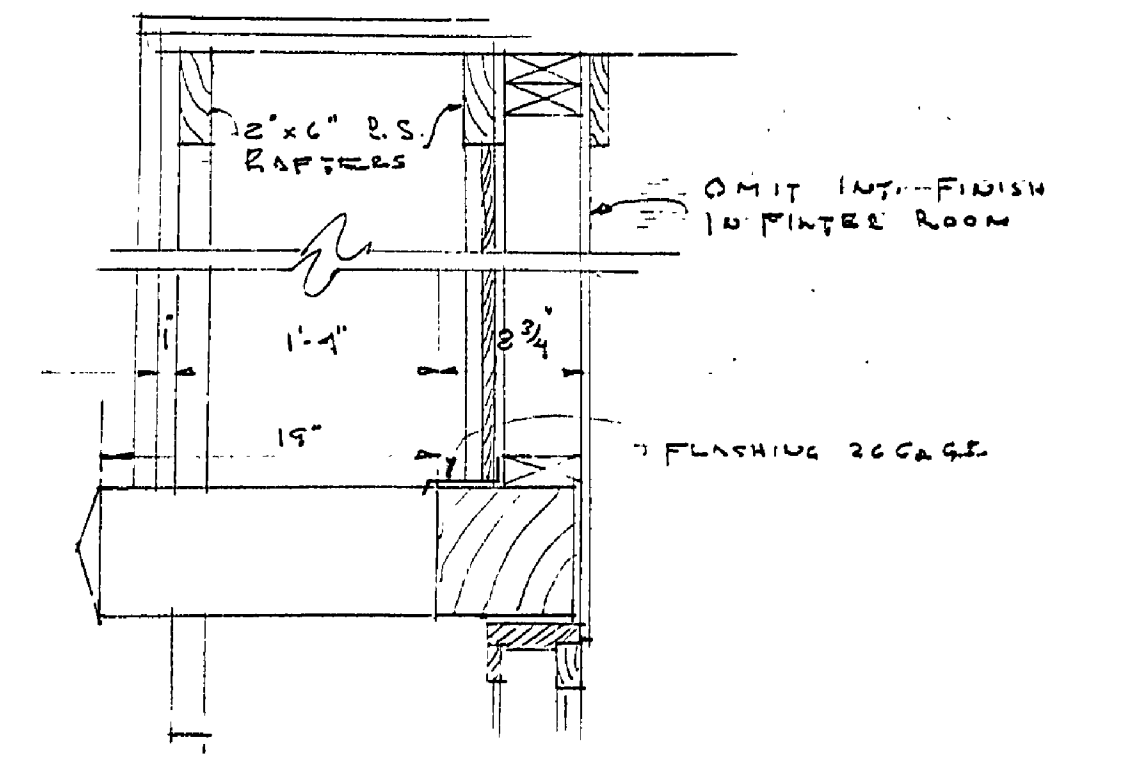
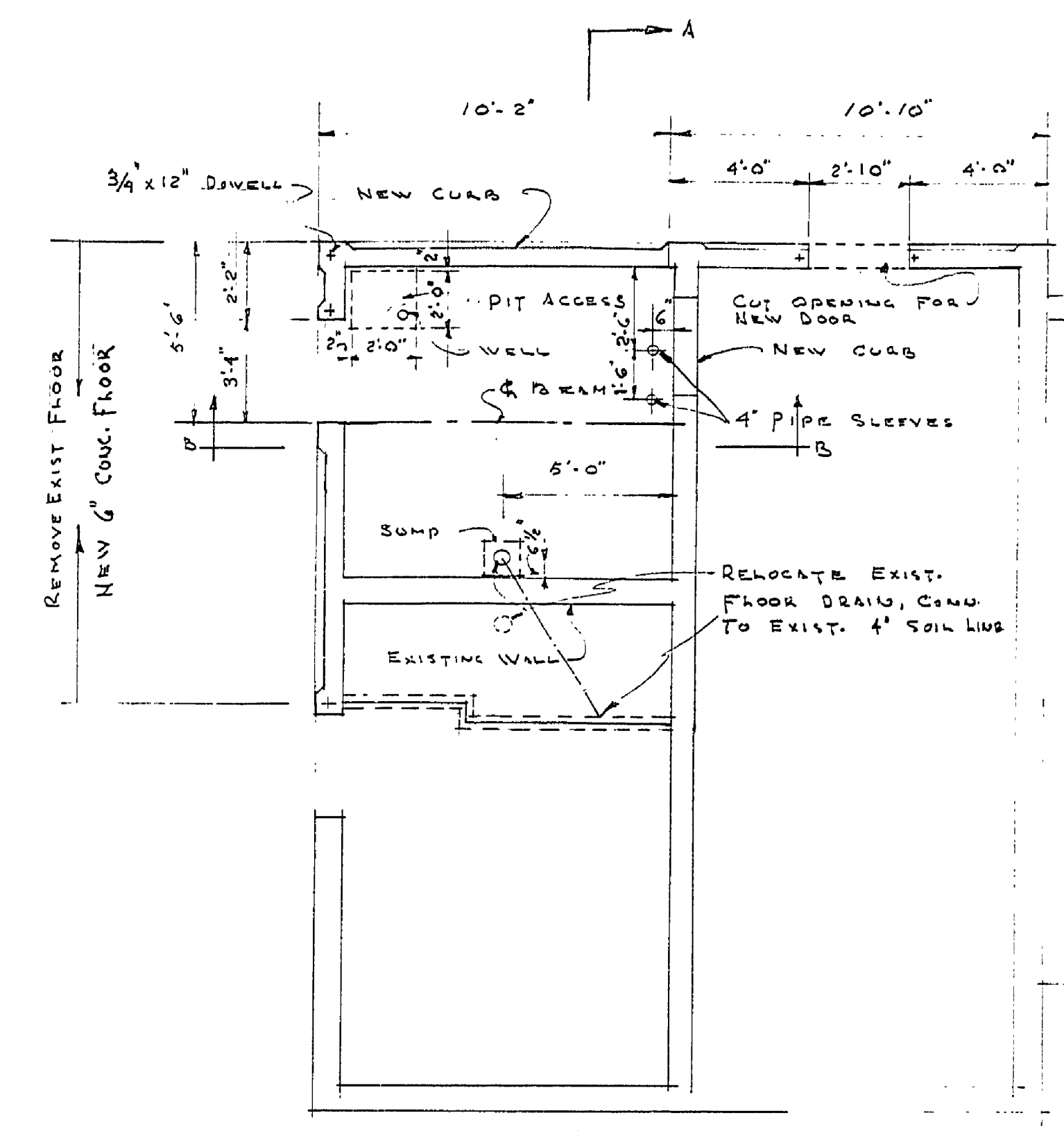
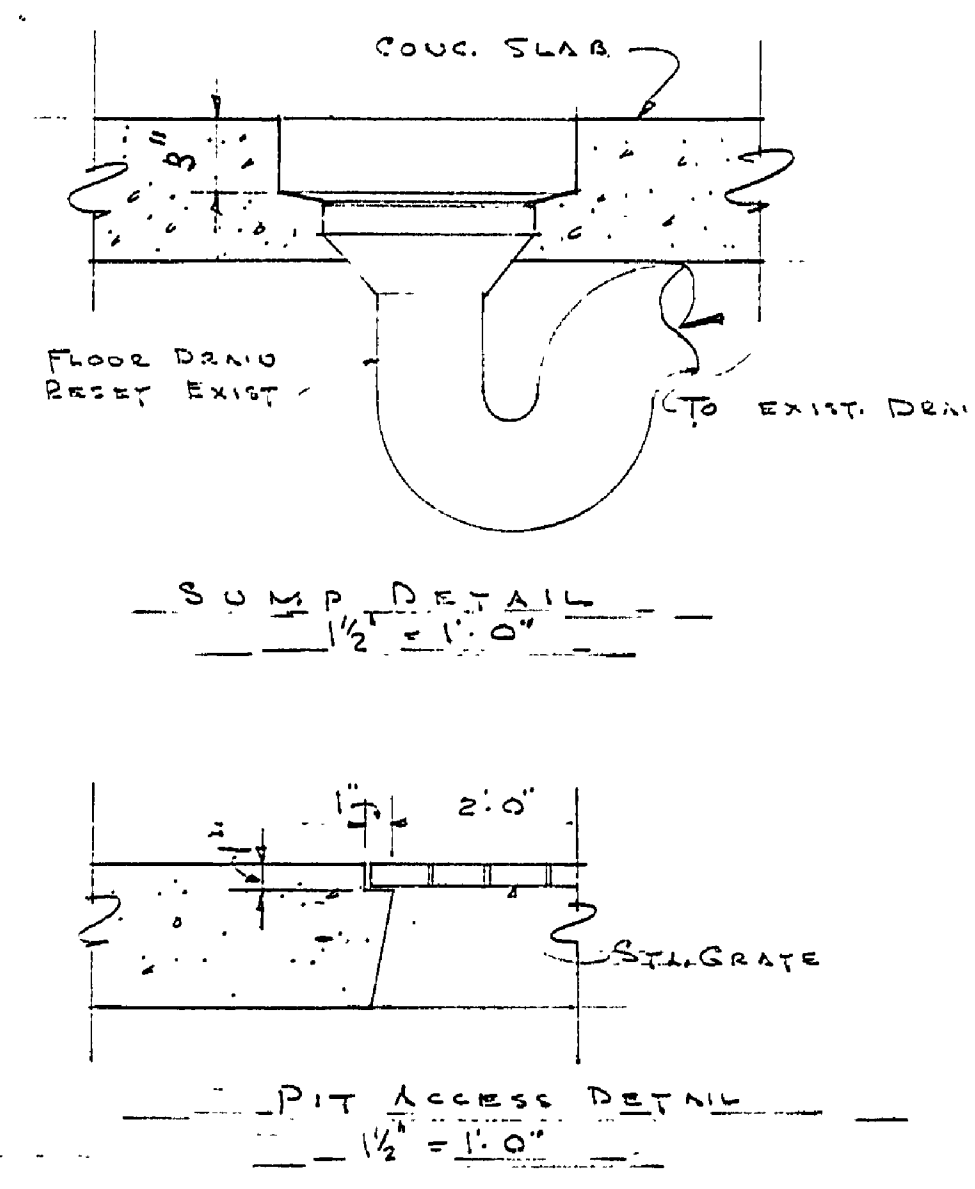
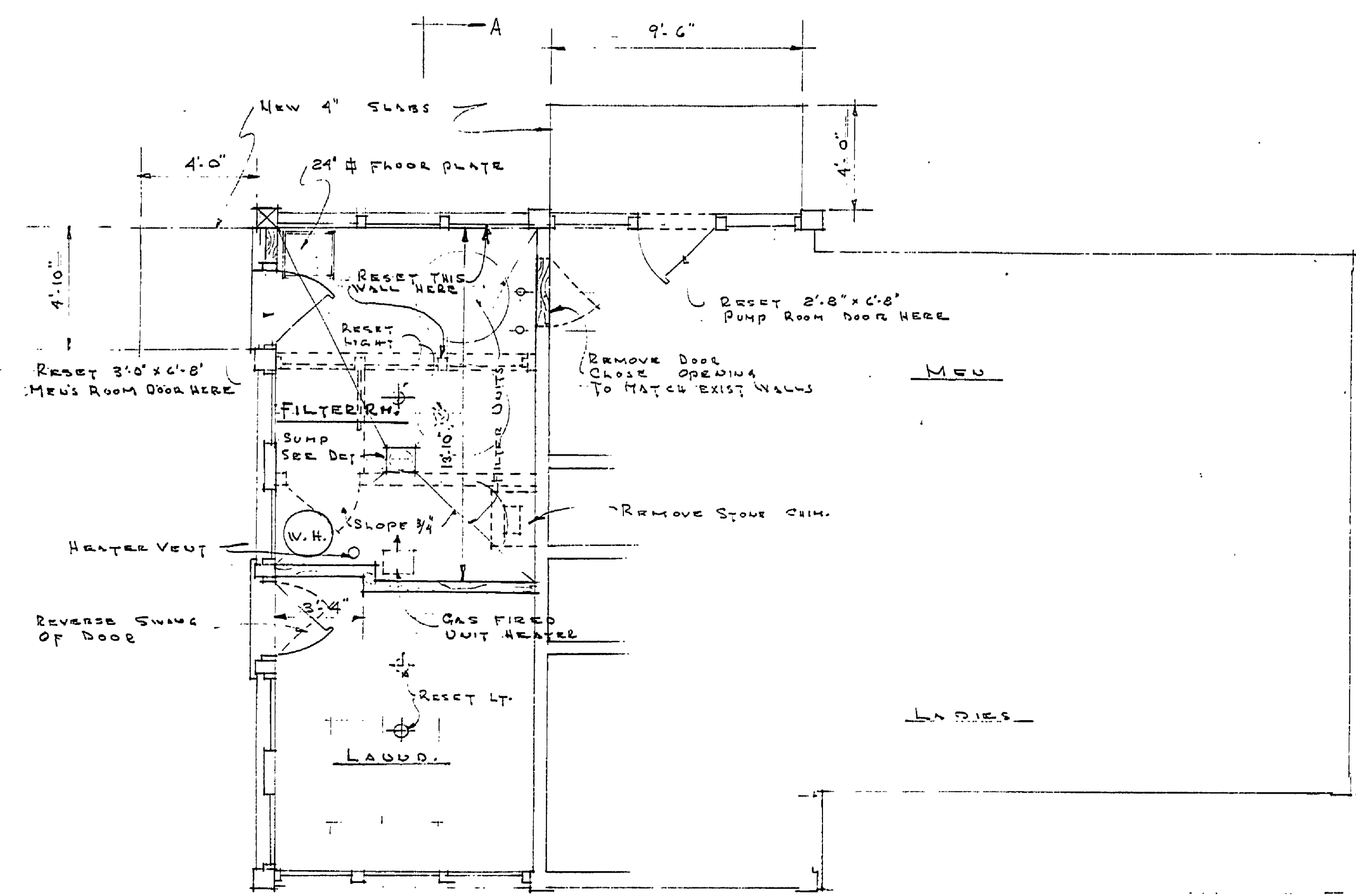


DESIGNED BY	DATE	REVIEWED	DATE	APPROVED	DATE	NO.	DATE	BY	REVISIONS	DATE	BY
W. G. & C. P.	3-29-61	ARCHITECTURAL	5-29-61	<i>[Signature]</i>	4/2-61	1			4		
W. G. & C. P.	3-29-61	ENGINEERING	5-29-61	<i>[Signature]</i>	4/2-61	2			5		
E. J. P.	3-29-61	LANDSCAPE	9-3-61	<i>[Signature]</i>	4/2-61	3			6		

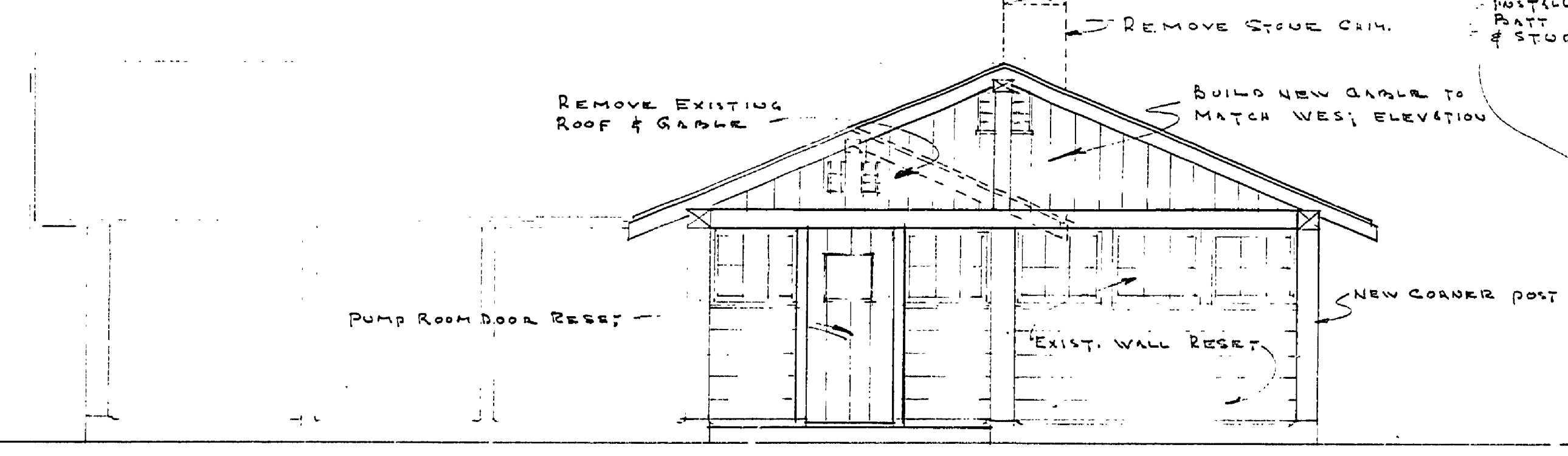


- EXISTING TO REMAIN
- EXISTING TO BE REMOVED
- NEW WOOD FRAME
- NEW WOOD CONC.

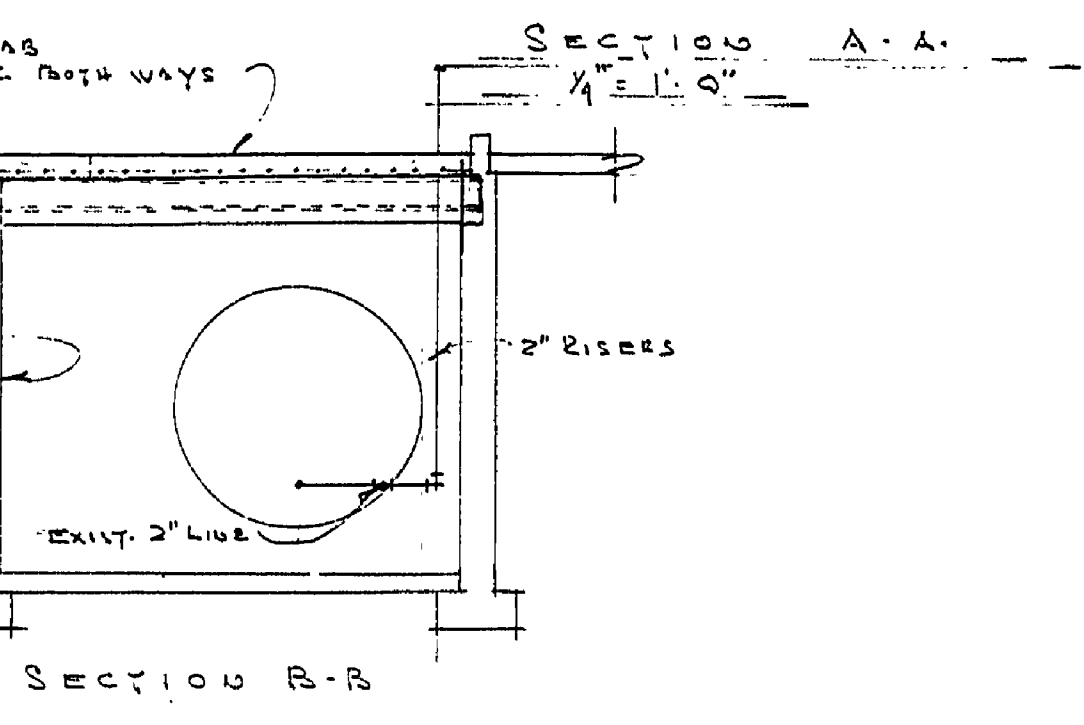
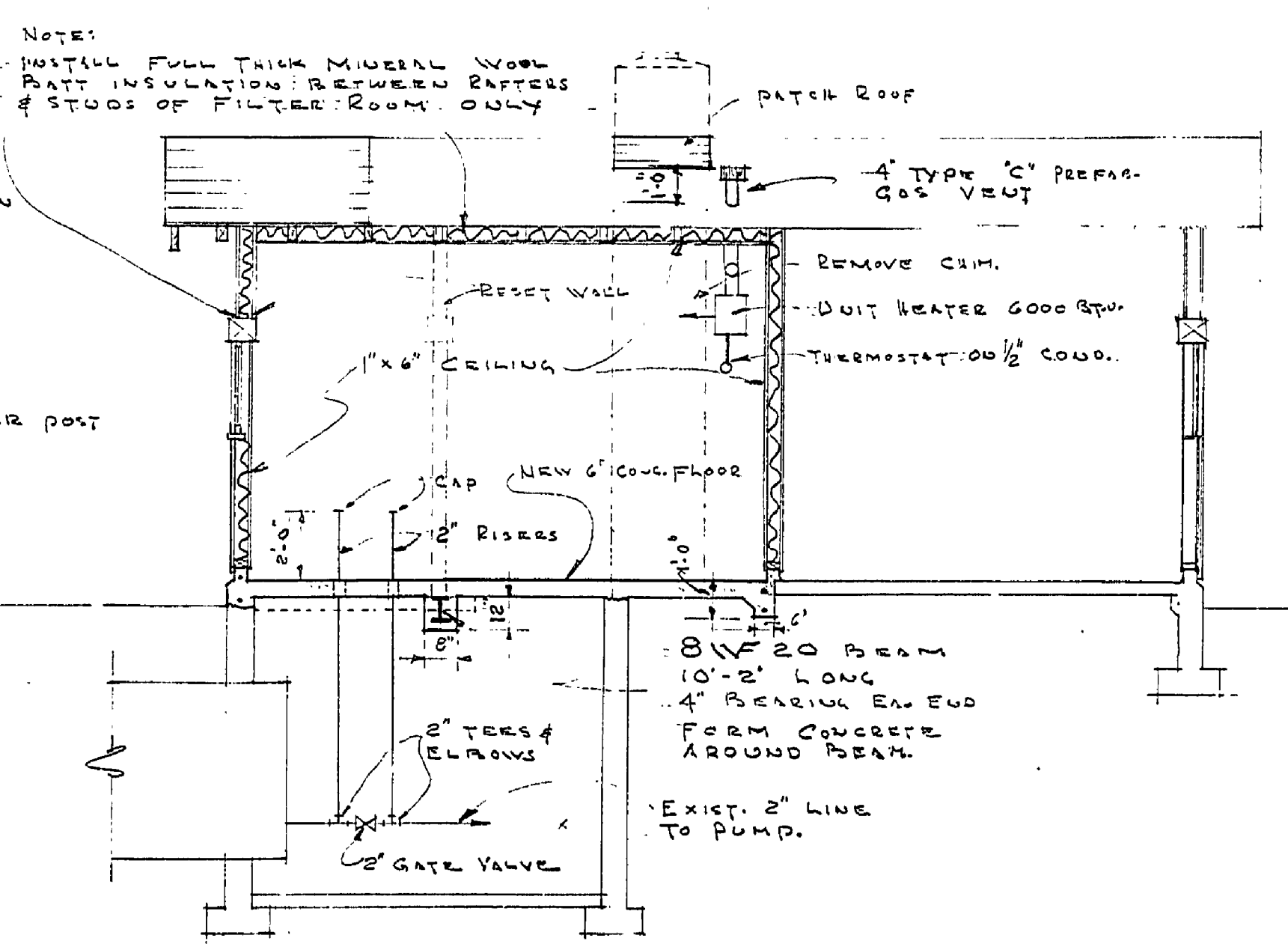
FLOOR PLAN
1/4" = 1'-0"

FOUNDATION PLAN
1/4" = 1'-0"

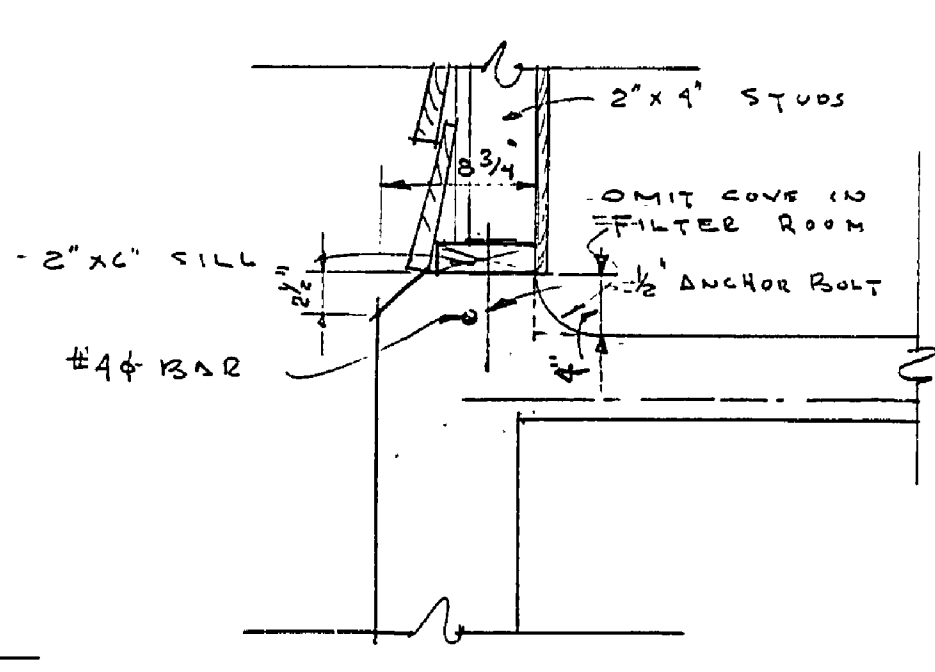
LOUVER DETAIL
1" = 1'-0"



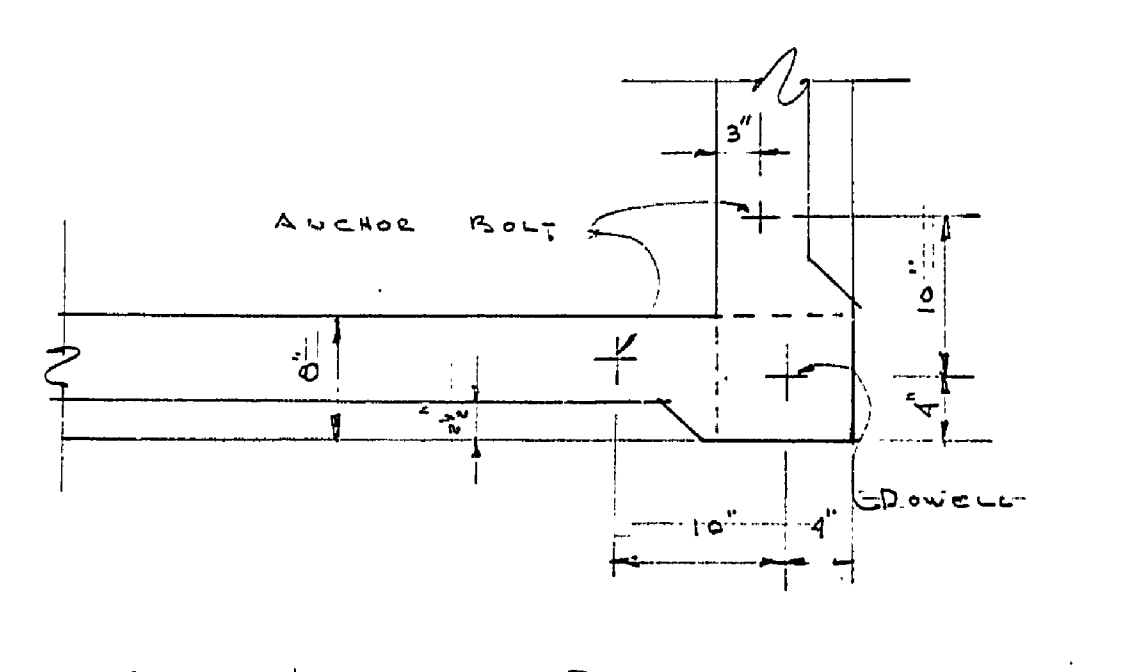
EAST ELEVATION
1/4" = 1'-0"



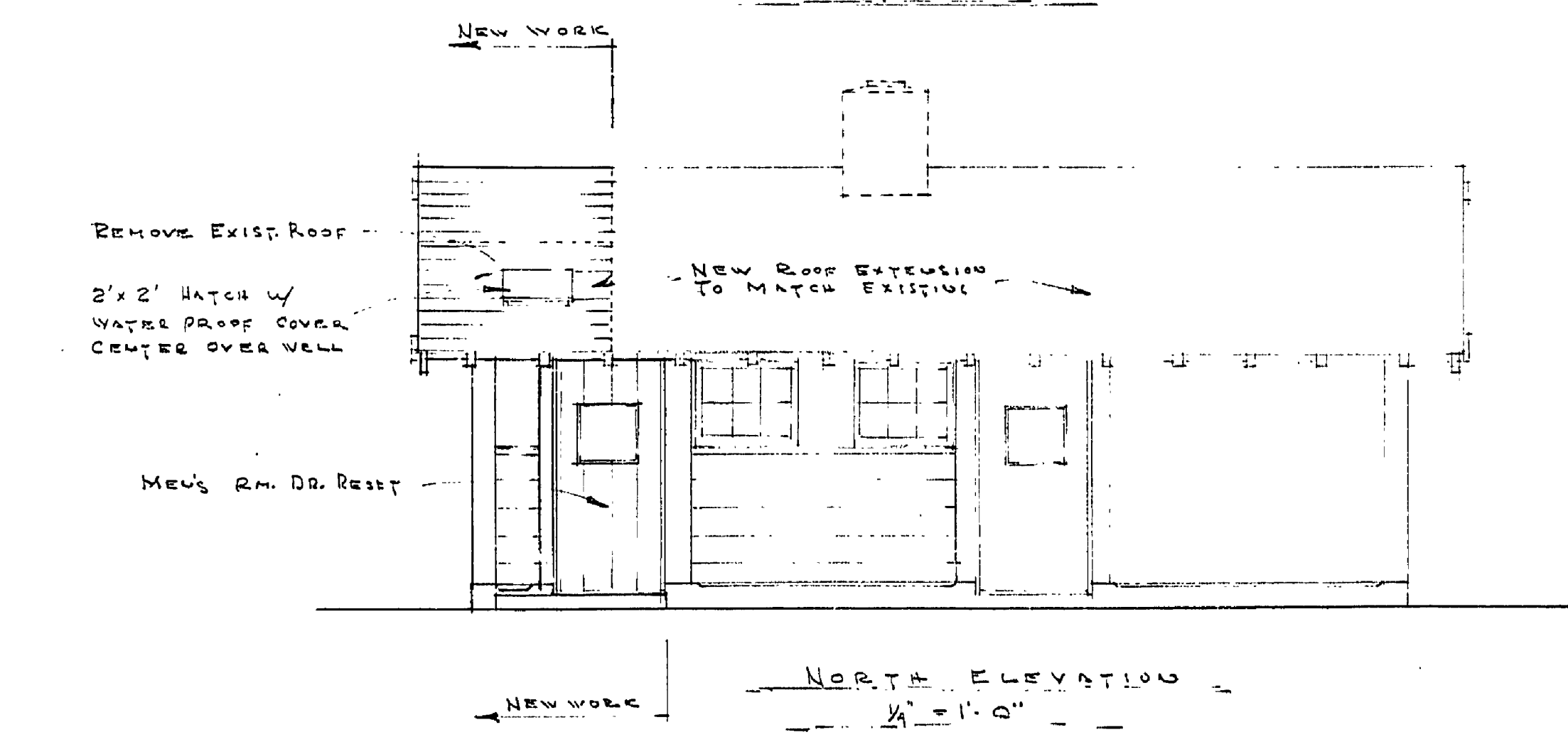
SECTION B-B
1/4" = 1'-0"



TYPICAL SILL SECTION
1/4" = 1'-0"



CORNER DETAIL
1" = 1'-0"



NORTH ELEVATION
1/4" = 1'-0"