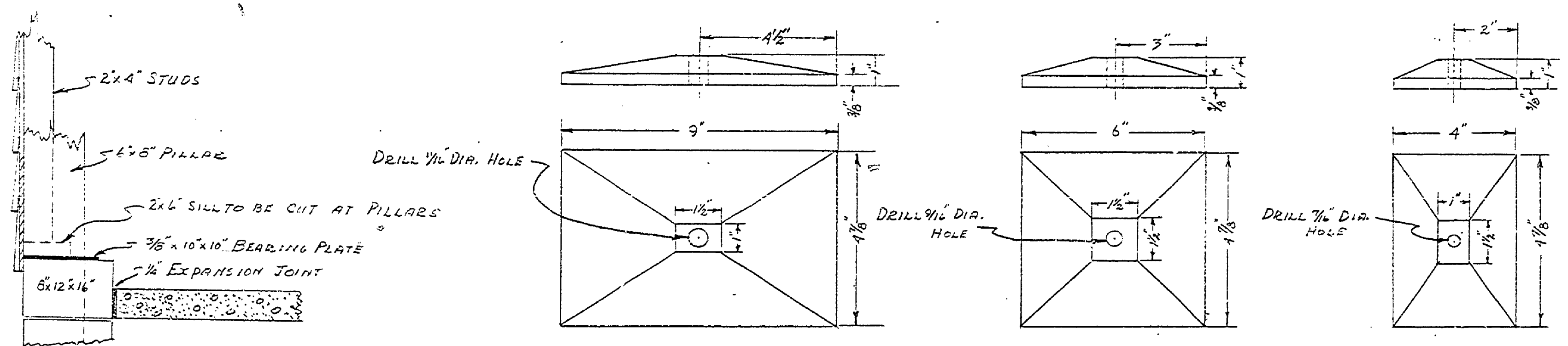


TRUSS ASSEMBLY
 SCALE: TRUSS 3/4" = 1' DETAILS 1" = 1'



BOTTOM PLATE DETAILS
 SCALE: 1" = 3"

TRUSS ASSEMBLY FOR
 PAVILION
 DEPARTMENT OF CONSERVATION
 DIVISION OF STATE PARKS
 SCALE AS INDICATED
 2-10-32 R.M.S. - H.C.M.

75-9-CTP-5F
 SHEET 4 OF 6

A-96 BAY CITY
 INSURANCE NO. 10

Handwritten signature
 R. J. ...

2-10-32 R.M.S. - H.C.M.