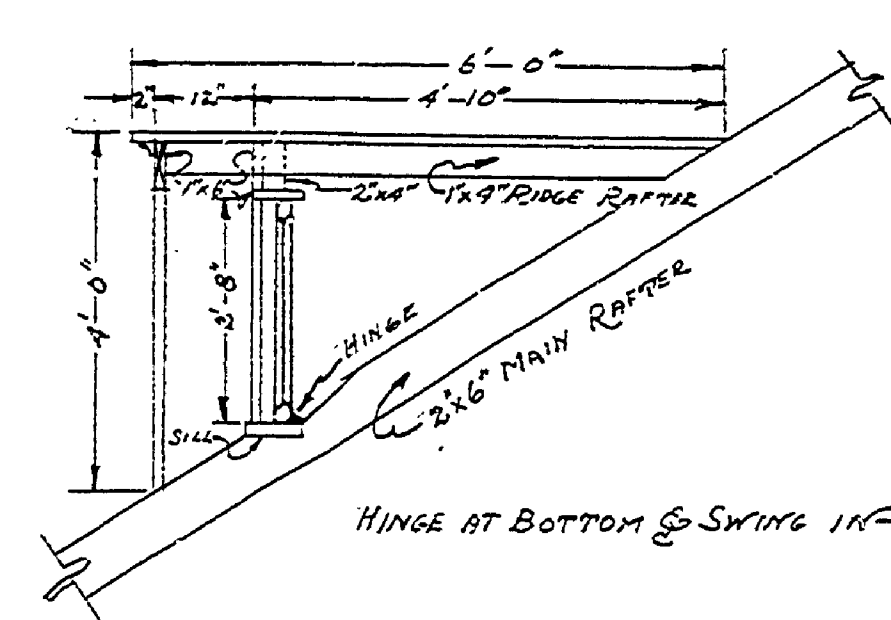
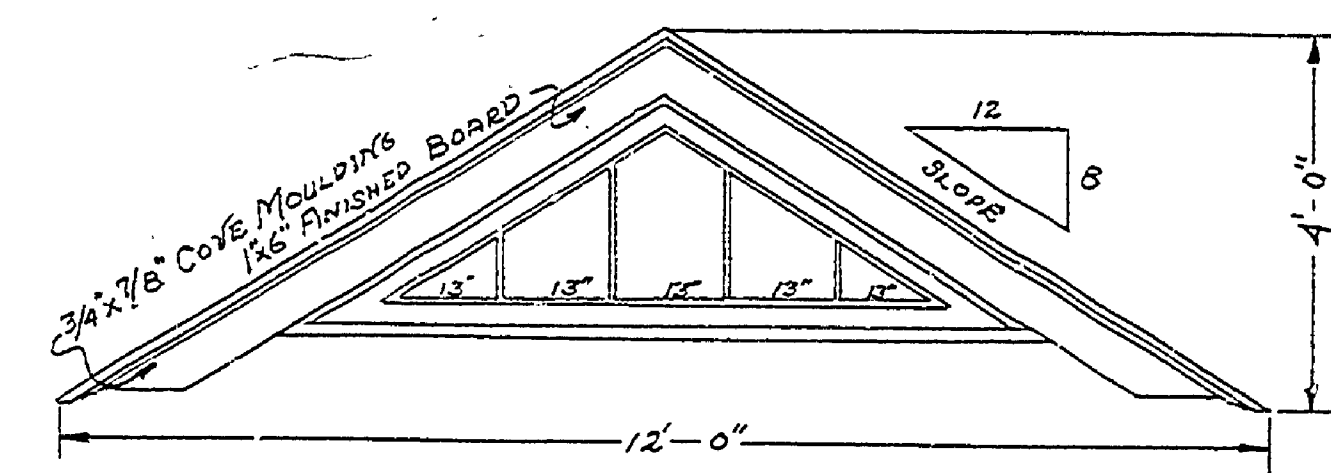


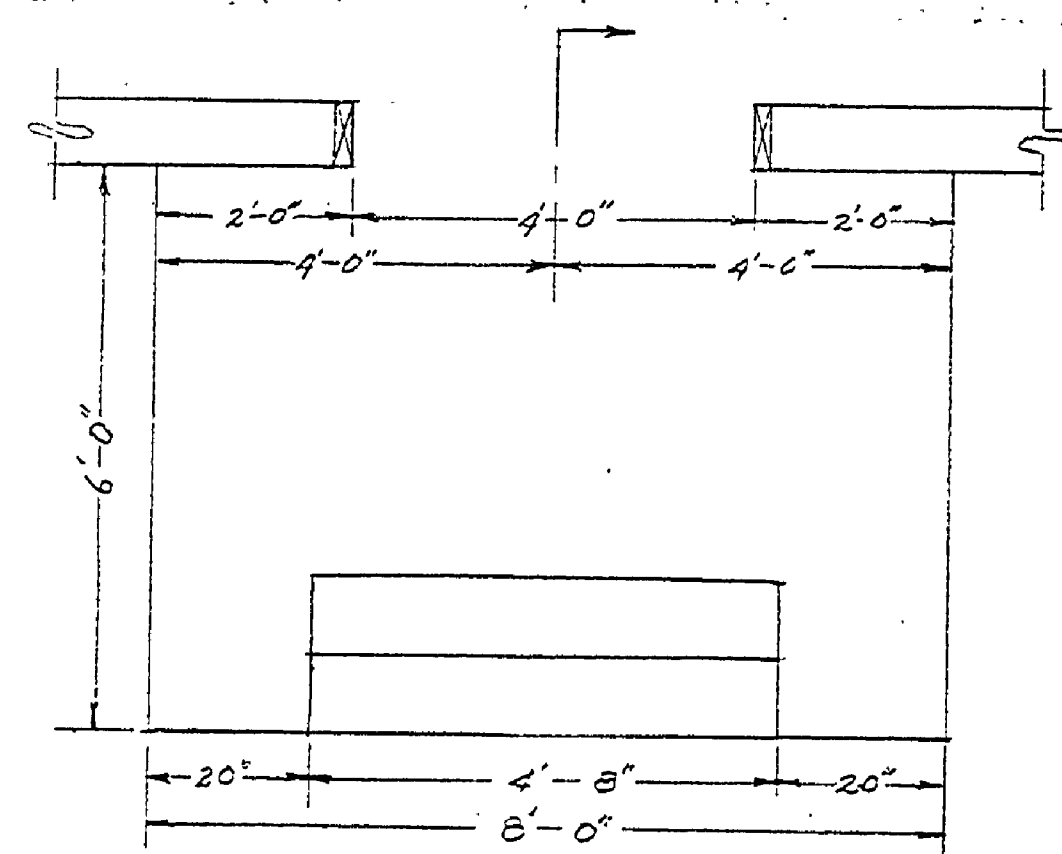
VOID TILES: NOT TO BE USED IN WOOD CONSTRUCTION



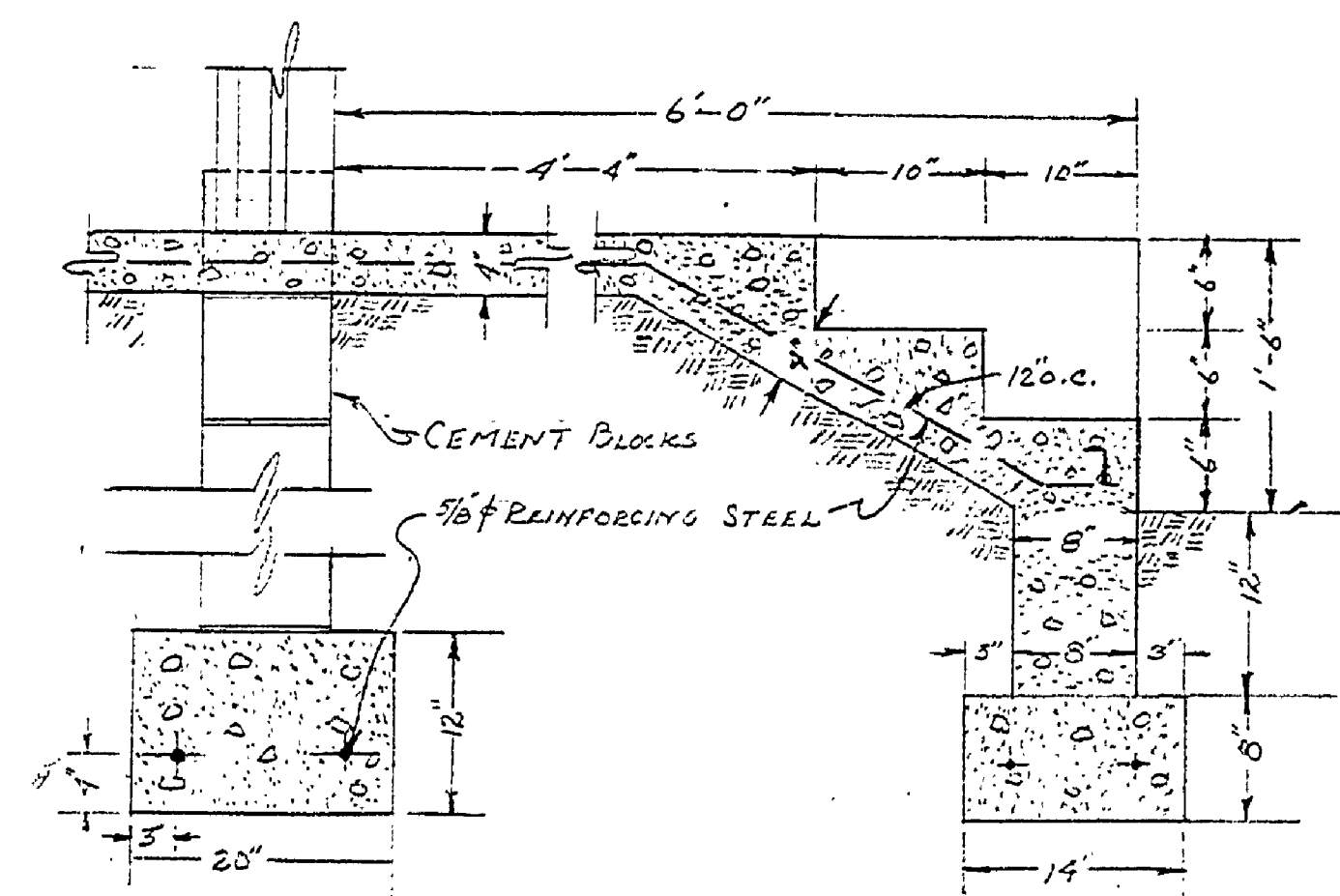
SECTION OF DORMERS



PLAN VIEW OF DORMERS

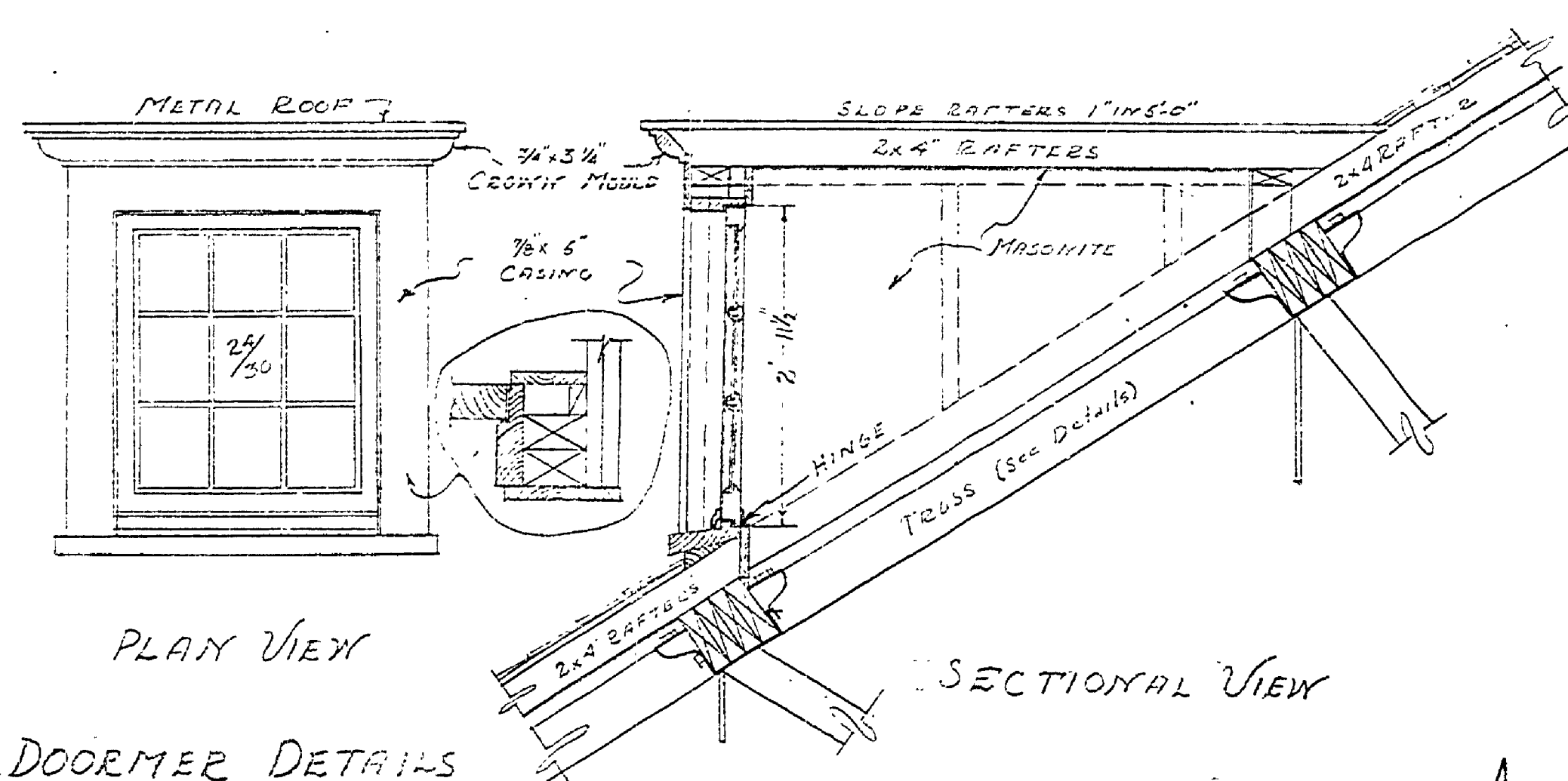


SIDE PORCH - PLAN VIEW
SCALE: 1/2\"/>



SECTION OF SIDE PORCH
SCALE: 1/2\"/>

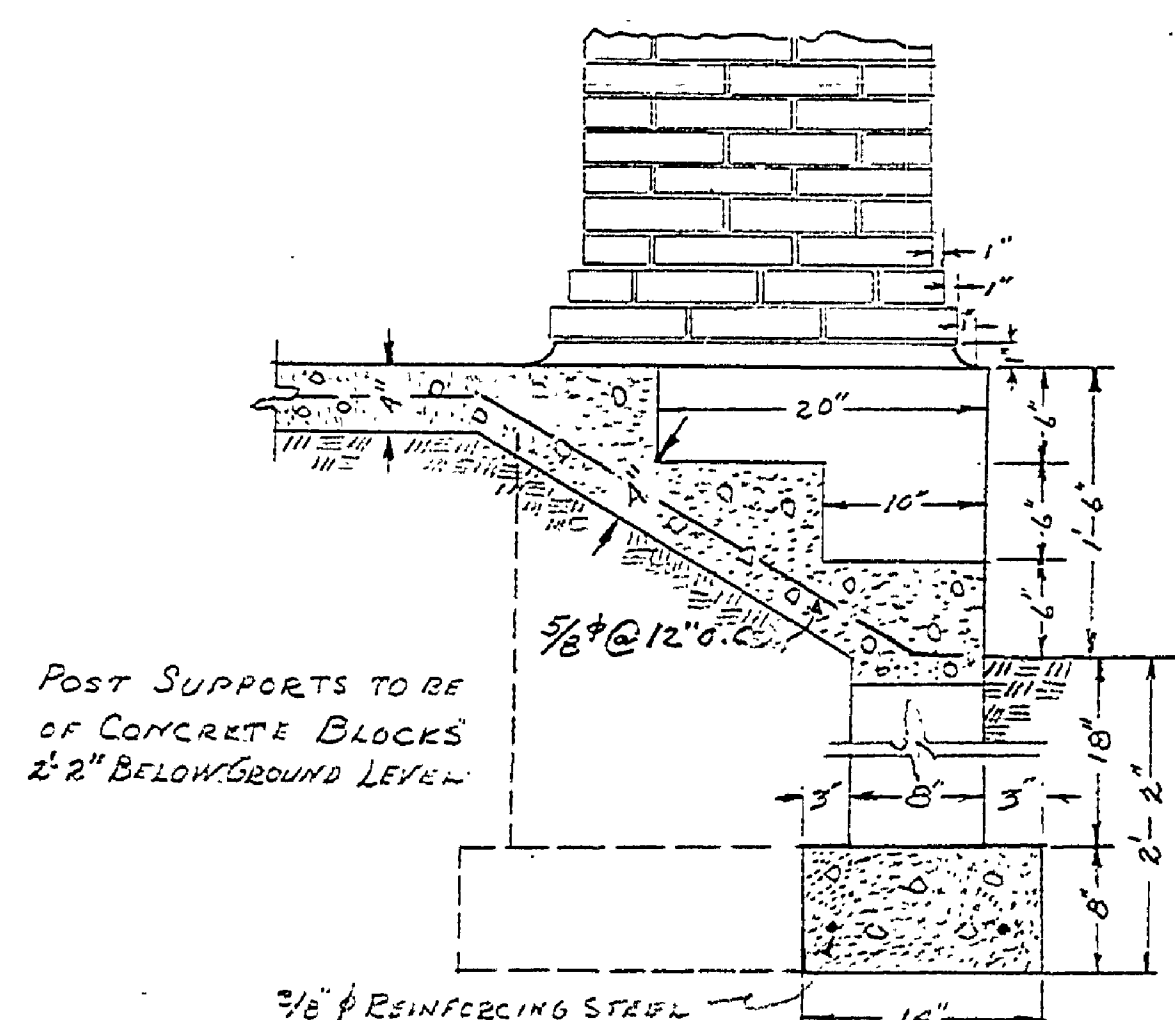
DORMER DETAILS
SCALE: 1/2\"/>



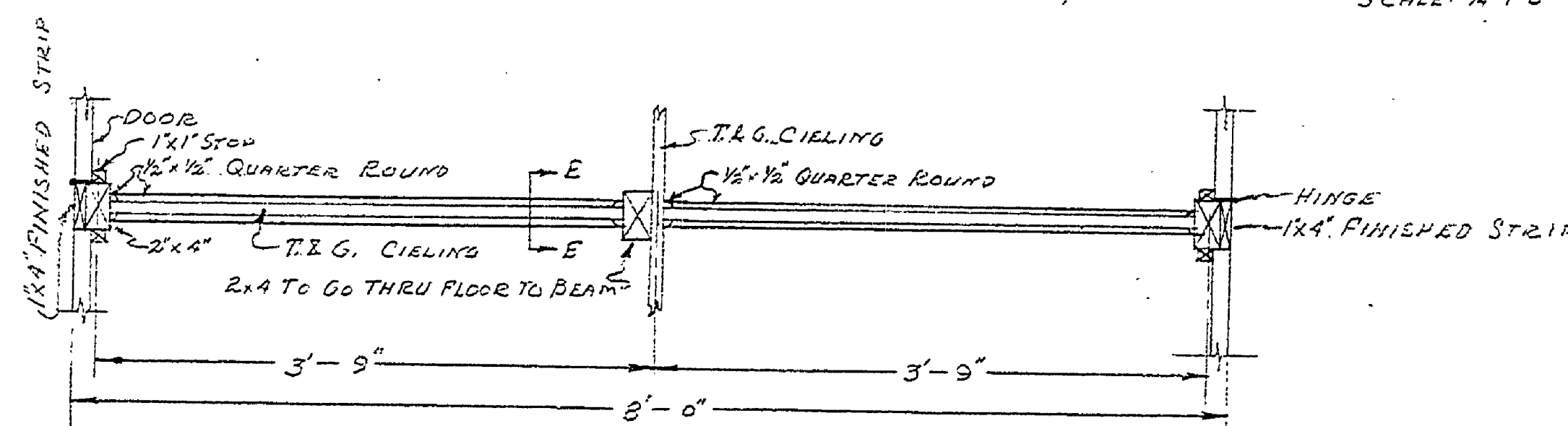
PLAY VIEW

DORMER DETAILS
SCALE: 3/4\"/>

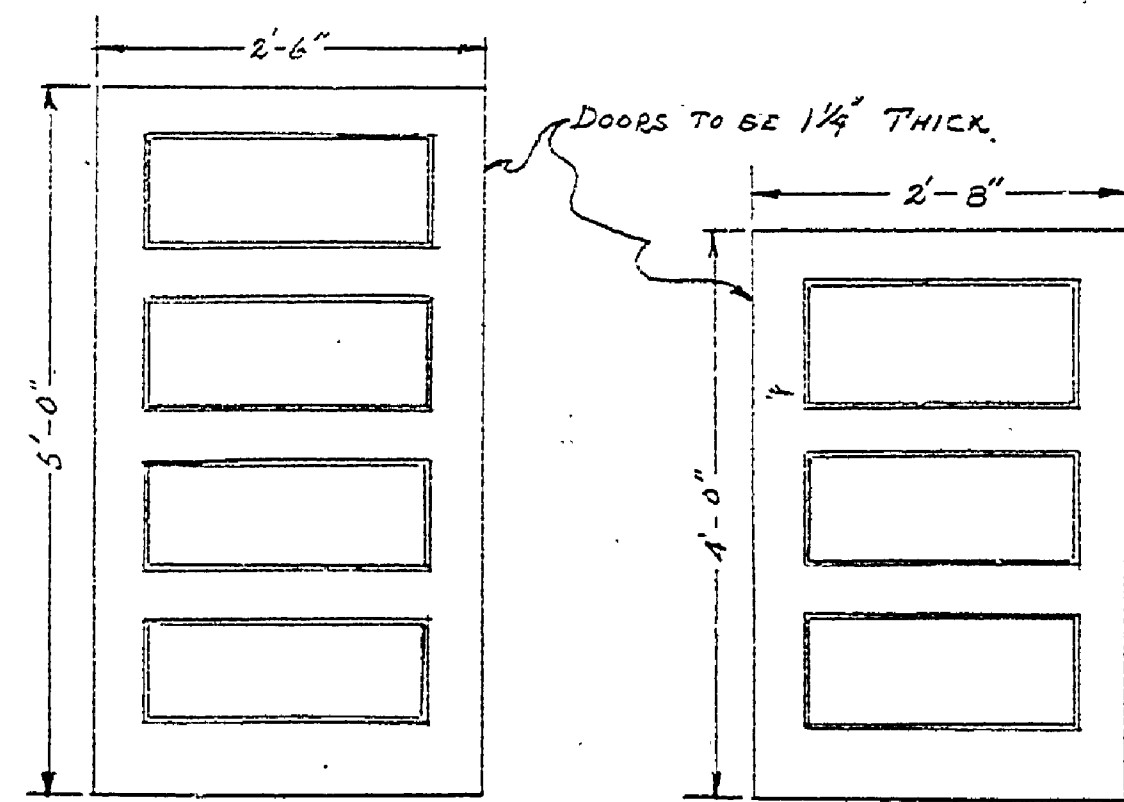
SECTIONAL VIEW



SECTION SHOWING STEPS
SCALE: 1/2\"/>

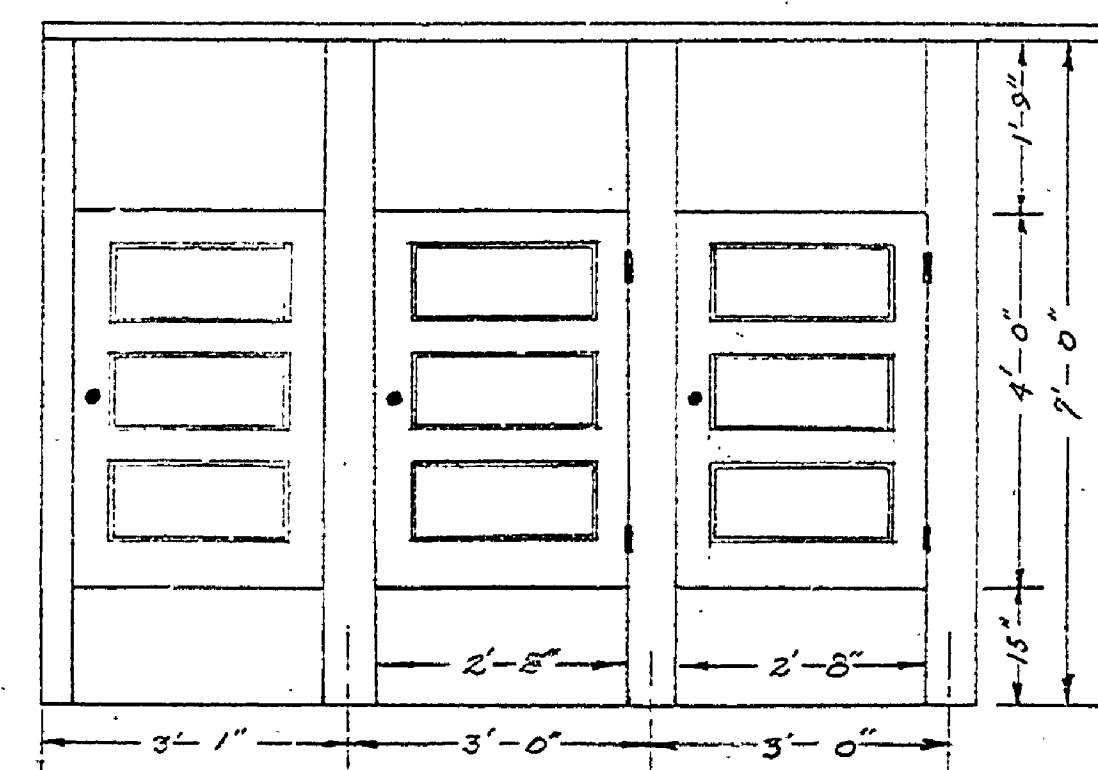


SECTION D-D
SCALE: 1/2\"/>

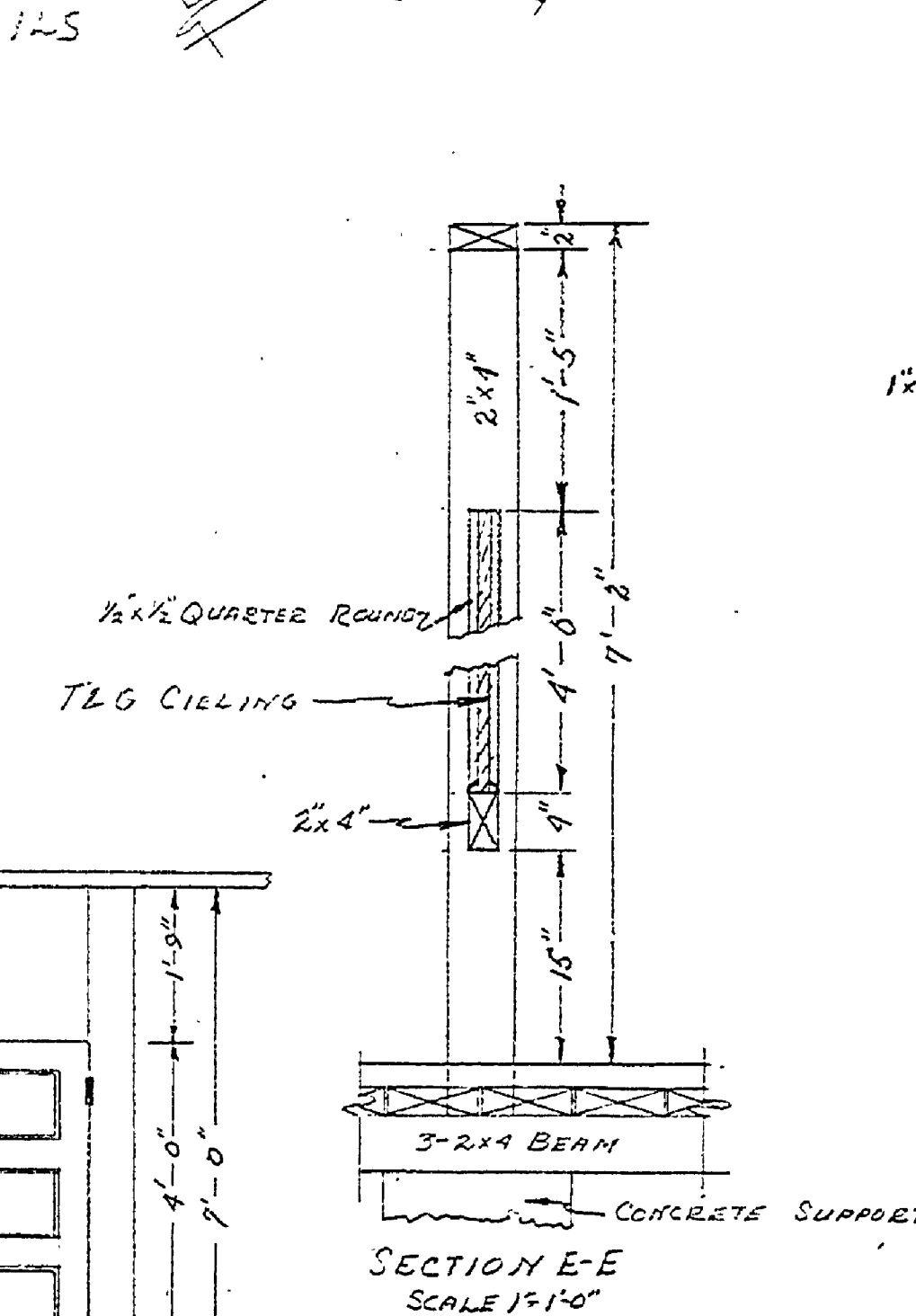


DETAIL OF TOILET DOORS
SCALE: 3/4\"/>

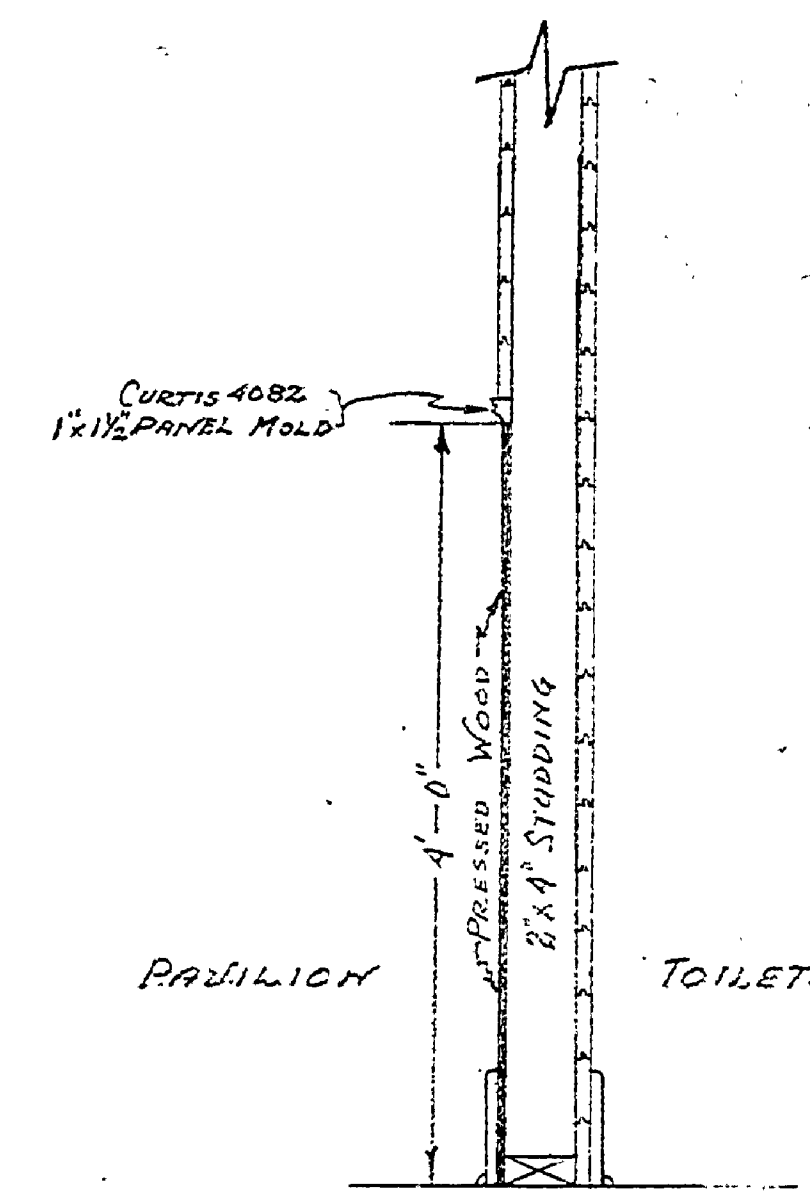
DETAIL OF BOOTH DOORS (SHALL)
SCALE: 3/4\"/>



DETAILS OF BOOTHS
SCALE: 1/2\"/>

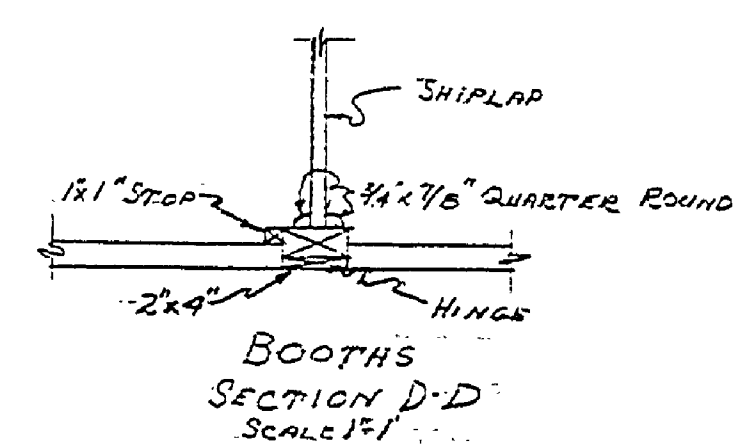


SECTION E-E
SCALE: 1/2\"/>



SECTION I-I
SCALE: 1/2\"/>

DETAILS OF PAVILION
DEPARTMENT OF CONSERVATION
DIVISION OF STATE PARKS
SCALE: AS INDICATED
10-24-31 R.M.S.-H.C.M.



BOOTH'S
SECTION D-D
SCALE: 1/2\"/>

A-96

75-9-GTP-5F
SHEET 5 OF 6

INSURANCE No. 10

BAY CITY

P. 25A PAGE 5 OF 6

Architect