

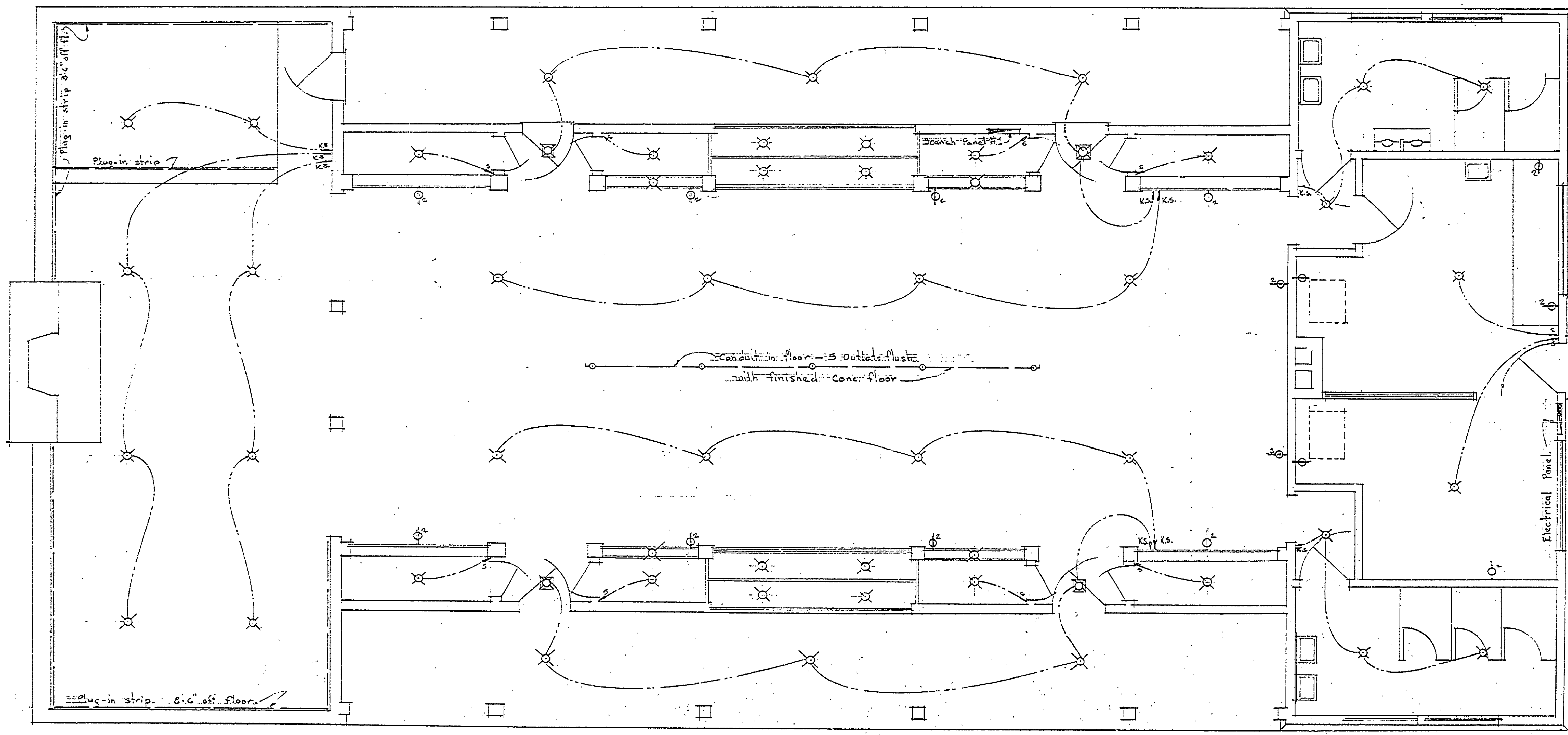
REVISIONS	BY	DATE
4		
5		
6		

NO.	DATE	BY
1	3/10/49	Perissac
2		
3		

REVIEWED BY SECTIONS	DATE	APPROVED BY
ARCHITECTURAL		
ENGINEERING		
LANDSCAPE		

DRAWN BY	J.V.F.
CHECKED BY	J.V.F.
DATE	6-7-48

ASSISTANT CHIEF IN CHARGE	DATE
OF DESIGN	

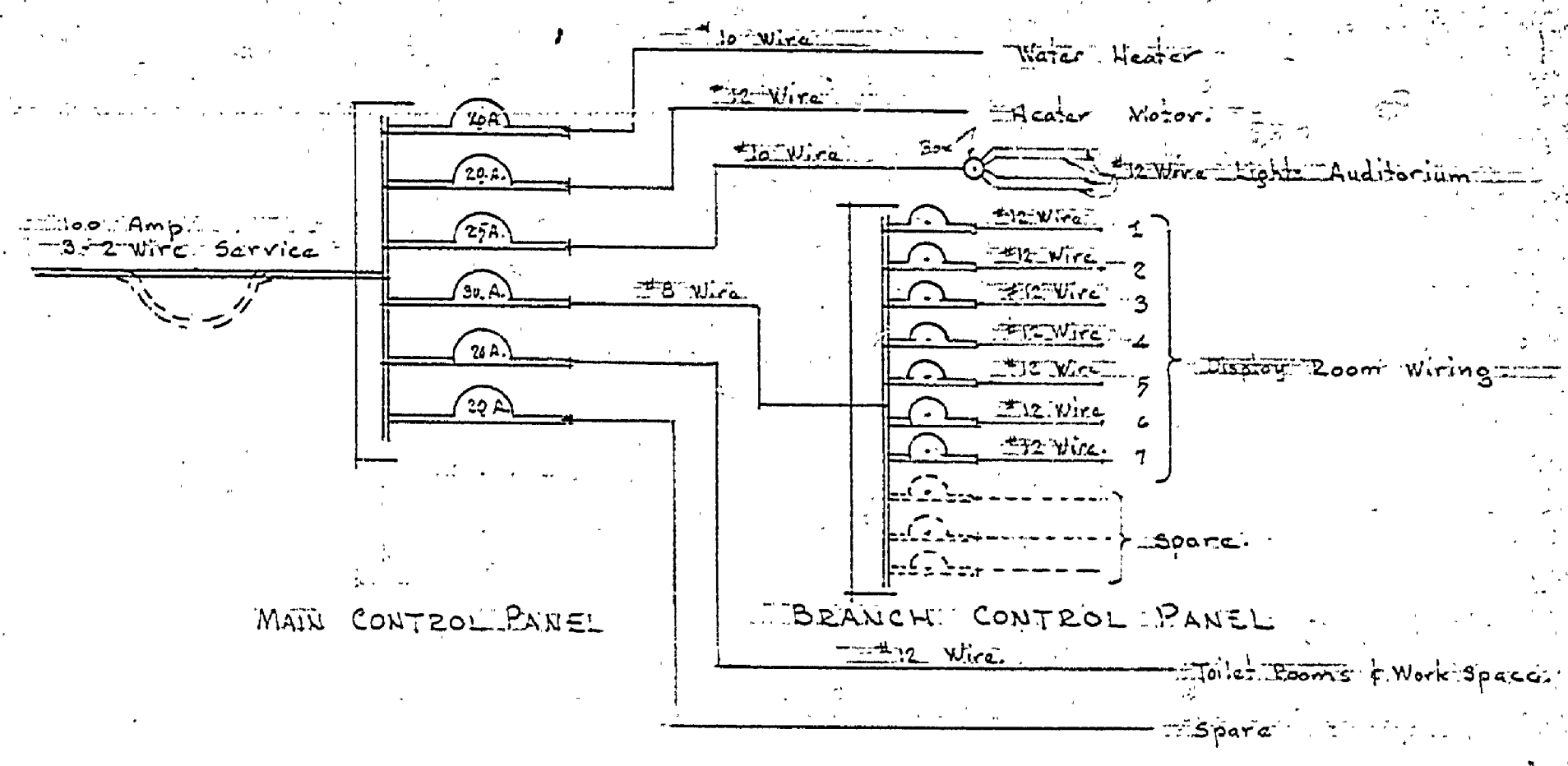


ELECTRICAL SYMBOLS & NOTES:

- ⊗ Ceiling outlet
- ⊗ Exposed ceiling outlet
- ⊗ Double Convenience Outlets
- Floor Conduit & Outlets
- Plug-in Strip Conduit
- ⊗ Key Switch
- ⊗ Switch

Circuits from branch control center to have fuse control, Main control center to have breaker control.

All electrical wiring to be installed in accordance with the standards of the National Electrical Code and the National Board of Fire Underwriters.



ELECTRICAL DIAGRAM.

REVISED PRINT 3/18/49

MICHIGAN DEPARTMENT OF CONSERVATION PARKS AND RECREATION DIVISION

BAY CITY STATE PARK TRAIL SIDE MUSEUM

SHEET NO. 12 OF 12 PLAN NO. A-108