

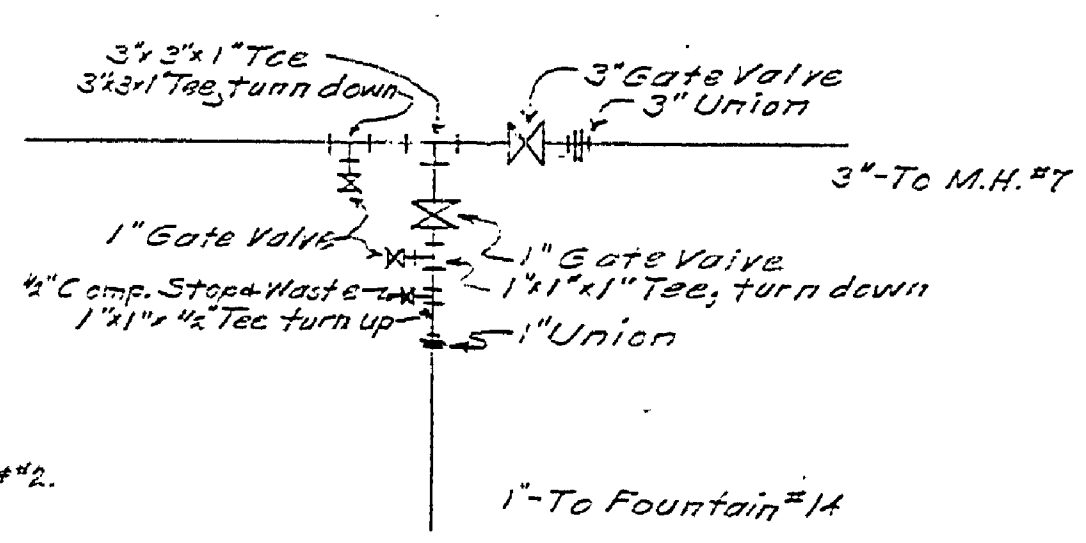
M.H.#1 (Plan)  
10'-0" x 4'-0" Inside Dim.

M.H.#2 (Plan)  
6'-10" x 5'-0" Inside Dim.

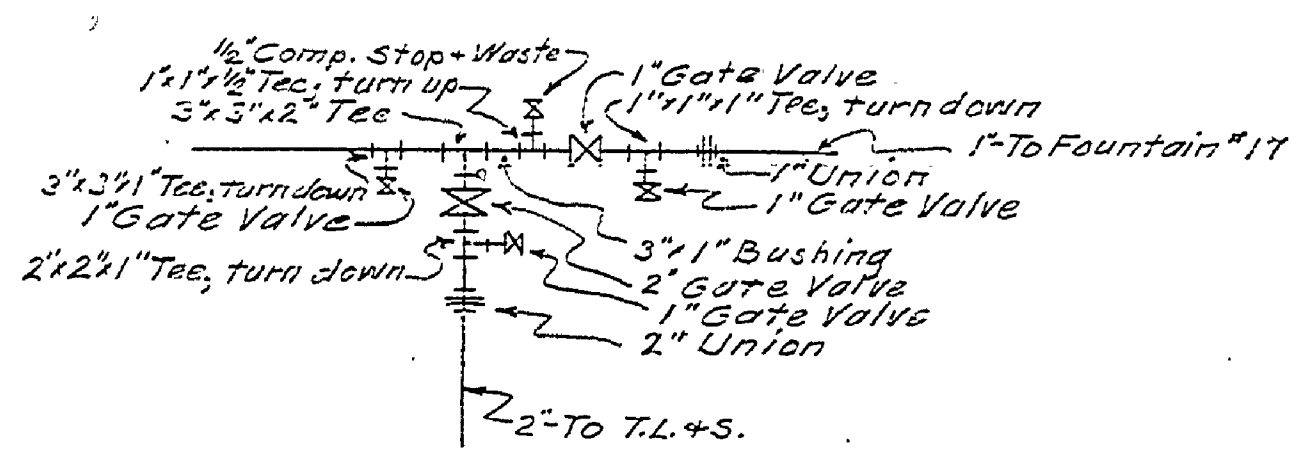
M.H.#3 (Plan)

M.H.#4 (Plan)

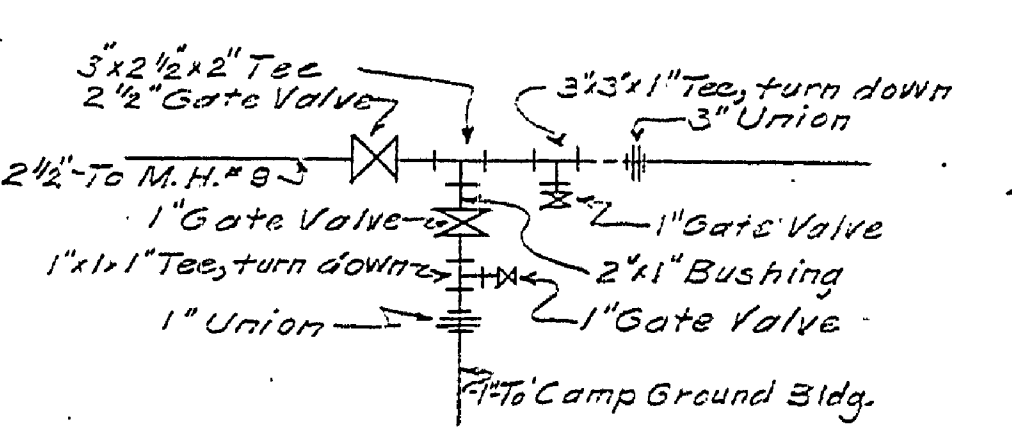
M.H.#5 (Plan)



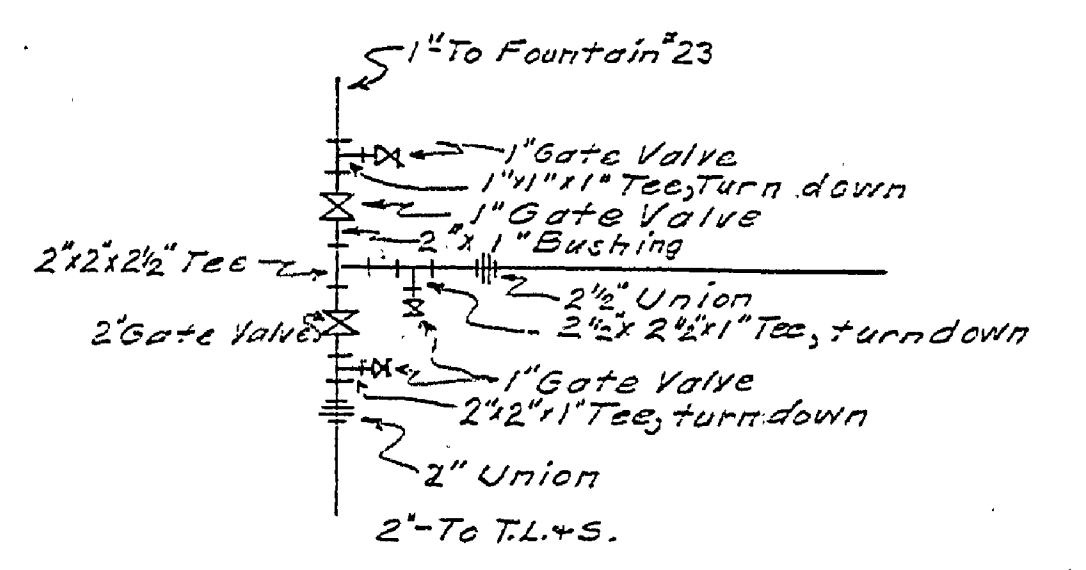
M.H.#6 (Plan)



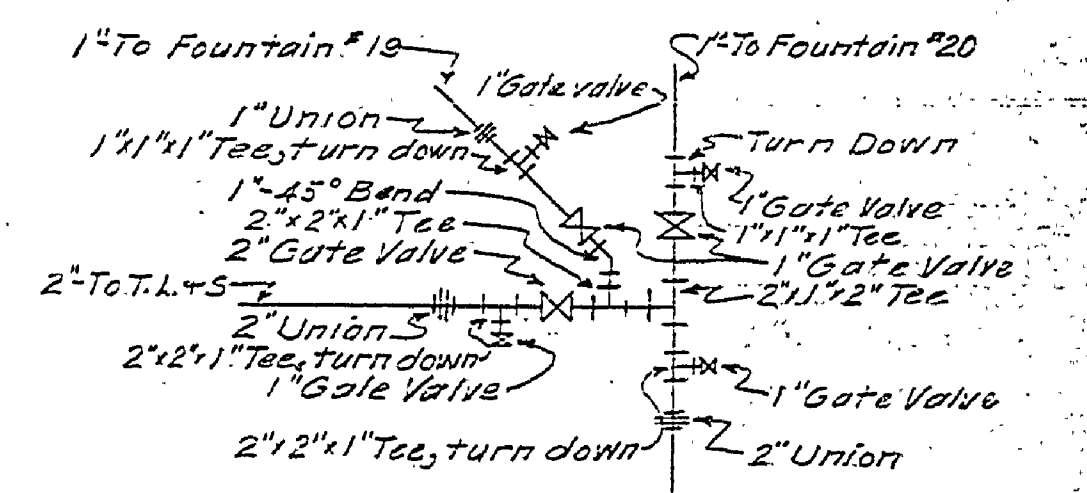
M.H.#7 (Plan)



M.H.#8 (Plan)

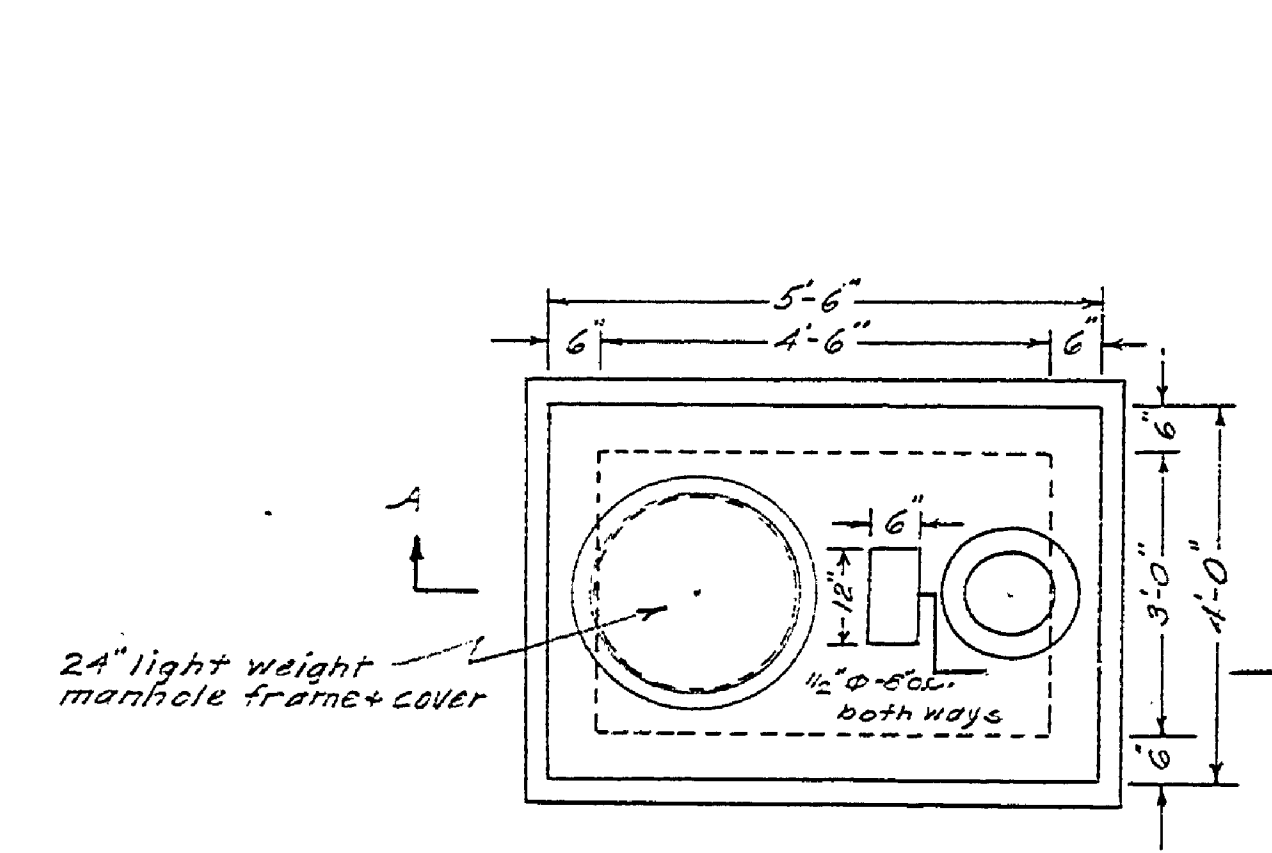


M.H.#9 (Plan)

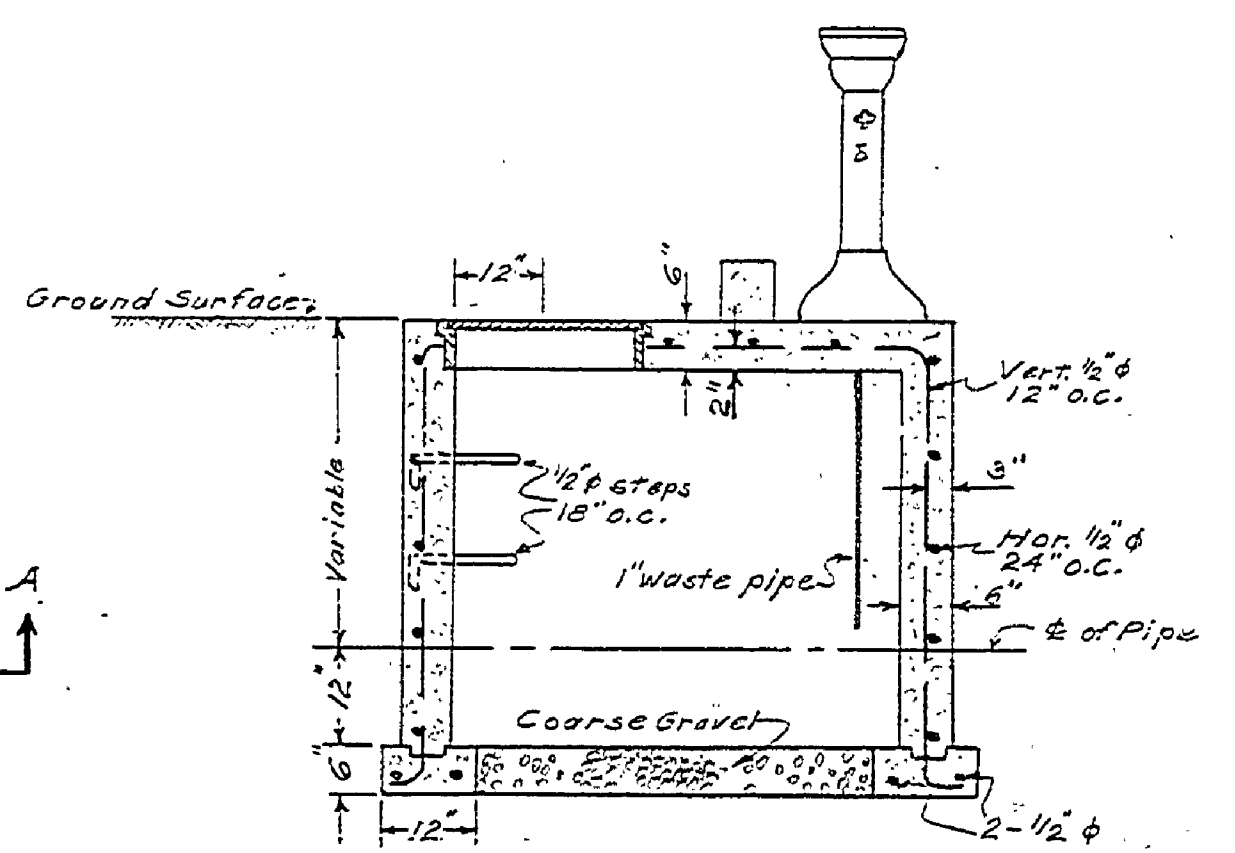


M.H.#10 (Plan)

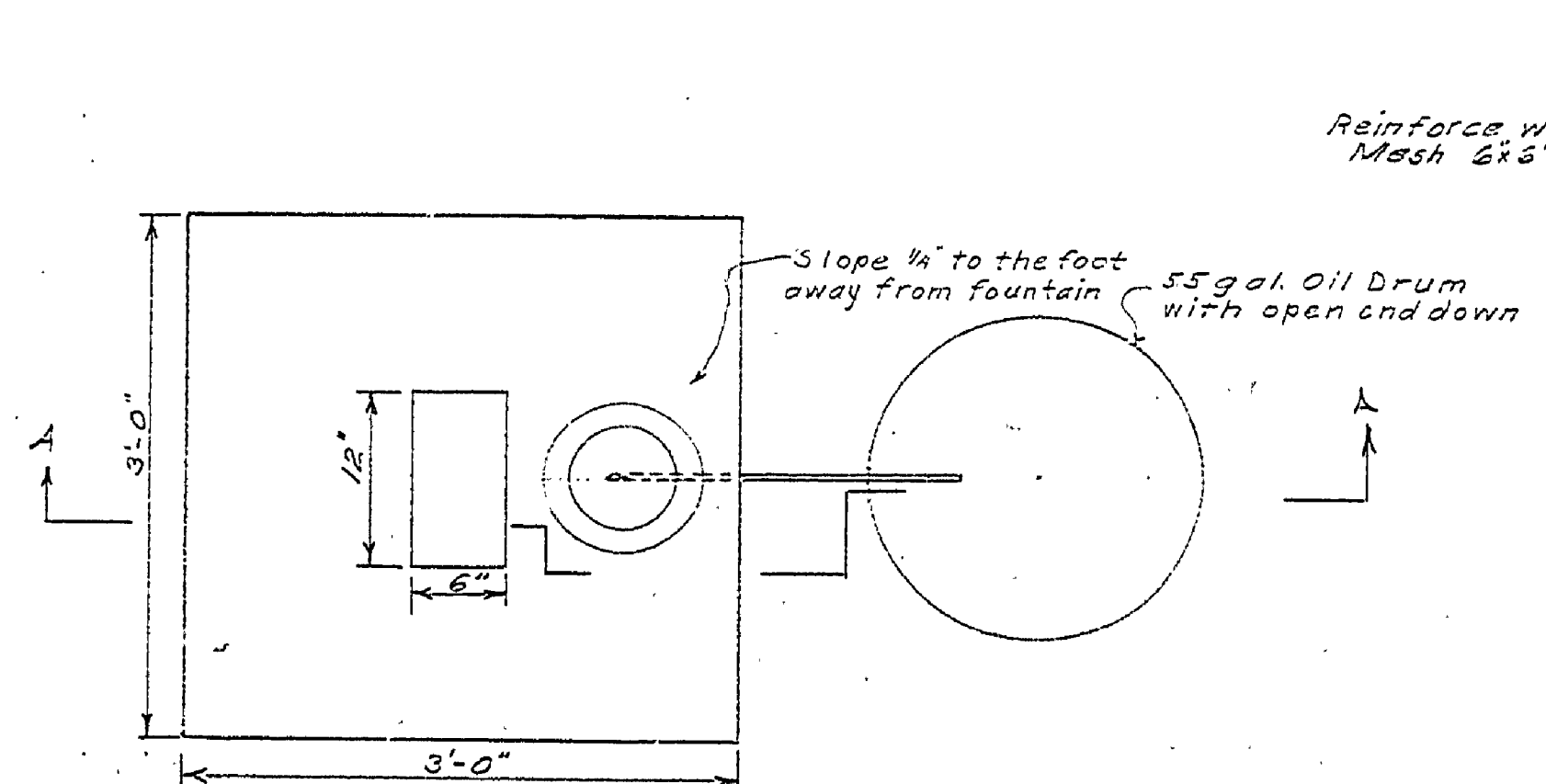
Notes:  
 Dimensions for M.H.#1 & M.H.#2  
 M.H.#1 Inside dimensions 10'-0" x 4'-0"  
 M.H.#2 " " " " 6'-10" x 5'-0"  
 Following dimensions apply to both M.H.#1 & #2.  
 Footings - 14" x 6"  
 Wall thickness - 8"  
 Top slab thickness - 6"  
 Steel Reinforcement - Side walls & End walls  
 Vertical steel 1/2" @ 6" o.c.  
 Horizontal steel 1/2" @ 10" o.c.  
 Place steel 6" from outside of wall  
 Steel Reinforcement - top slab  
 Longitudinal 1/2" @ 12" o.c.  
 Transverse 1/2" @ 4" o.c.  
 Place steel 4" from top surface of slab  
 For other details & dimensions see  
 plan of M.H.  
 All steel to be Deformed bars Grade B



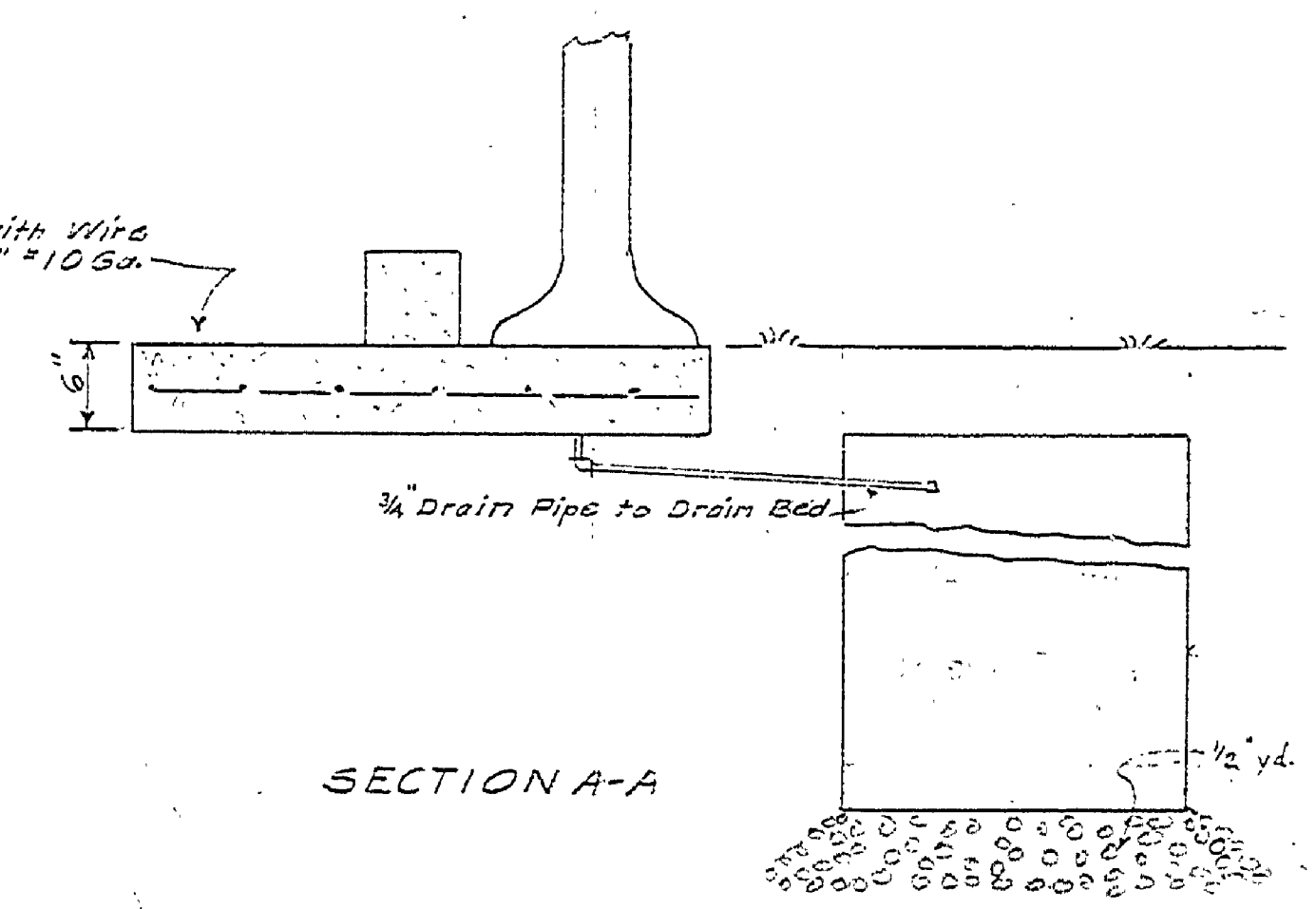
PLAN



SECTION A-A



PLAN



SECTION A-A

MANHOLE  
Scale 1/8"=1'-0"

FOUNTAIN BASE  
Scale 1 1/2"=1'-0"

Note:  
 If manholes are below ground  
 water provide concrete bottom  
 and water proof.  
 Build manholes without fountains  
 4'-0" square, except M.H.#1 & #2.

Michigan Department of Health  
 Bureau of Engineering  
 EXAMINED AND APPROVED  
 JUL 9 1941  
 John M. Hepler  
 DIRECTOR  
 CONSTRUCTION PERMIT No. 4227

MICHIGAN DEPARTMENT OF CONSERVATION STATE PARKS DIVISION		
DESIGNED BY: E.T.P.	BAY CITY STATE PARK	PLAN No.
DRAWN BY: E.T.P.	CAMPING GROUND	SCALE
CHECKED BY:	WATER SYSTEM	DATE:
PREPARED AND APPROVED BY:	DATE: 7/9/41	
APPROVED BY:	DATE:	