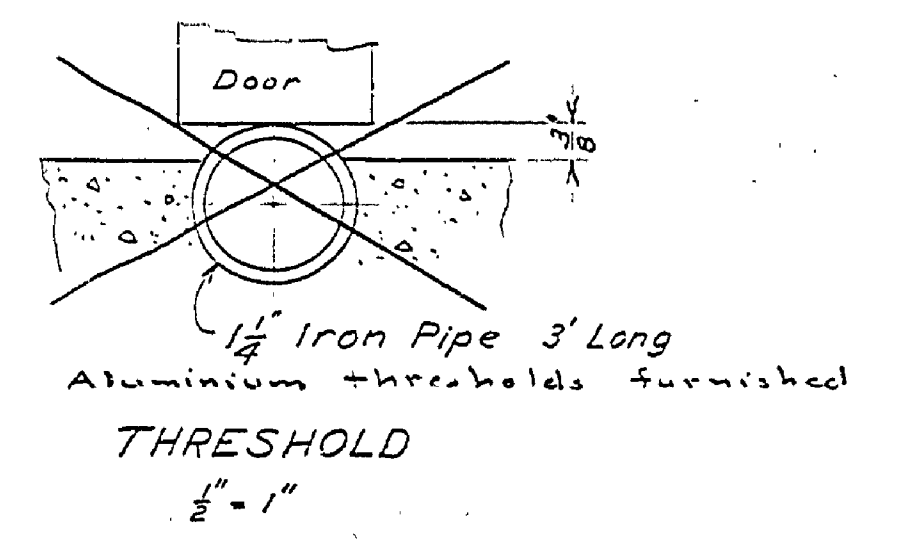
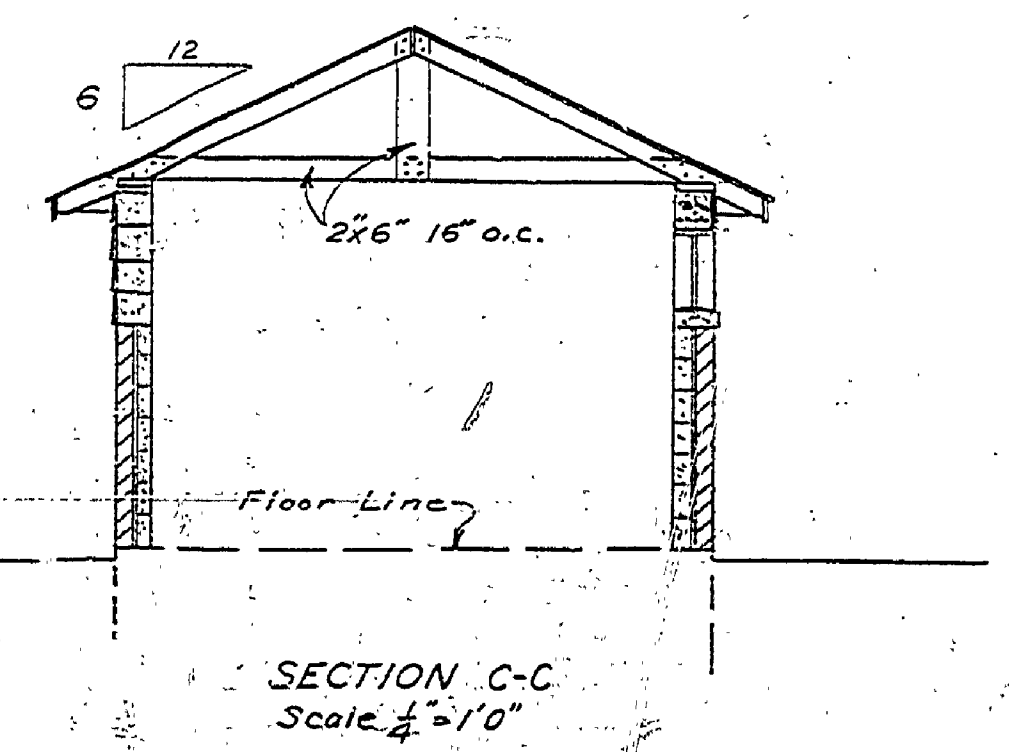
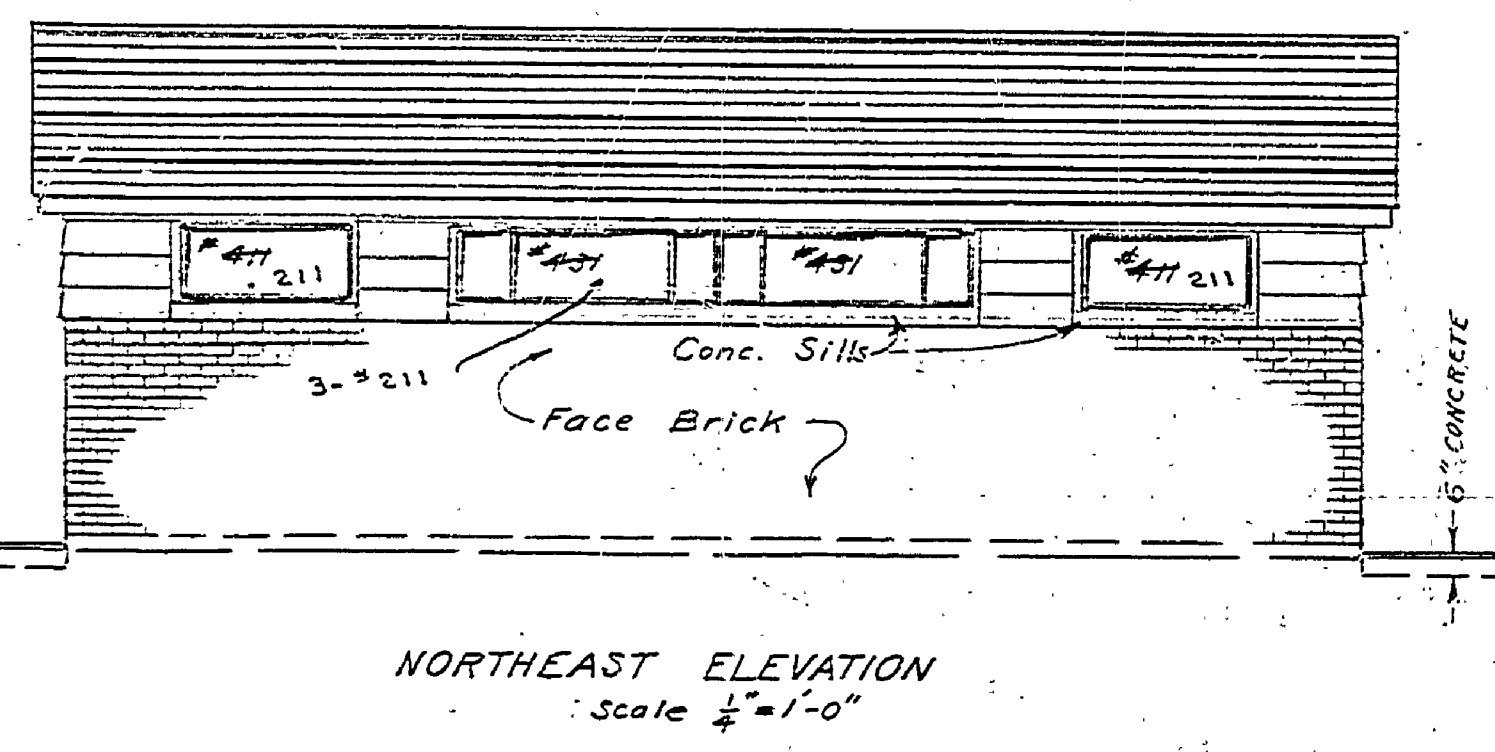
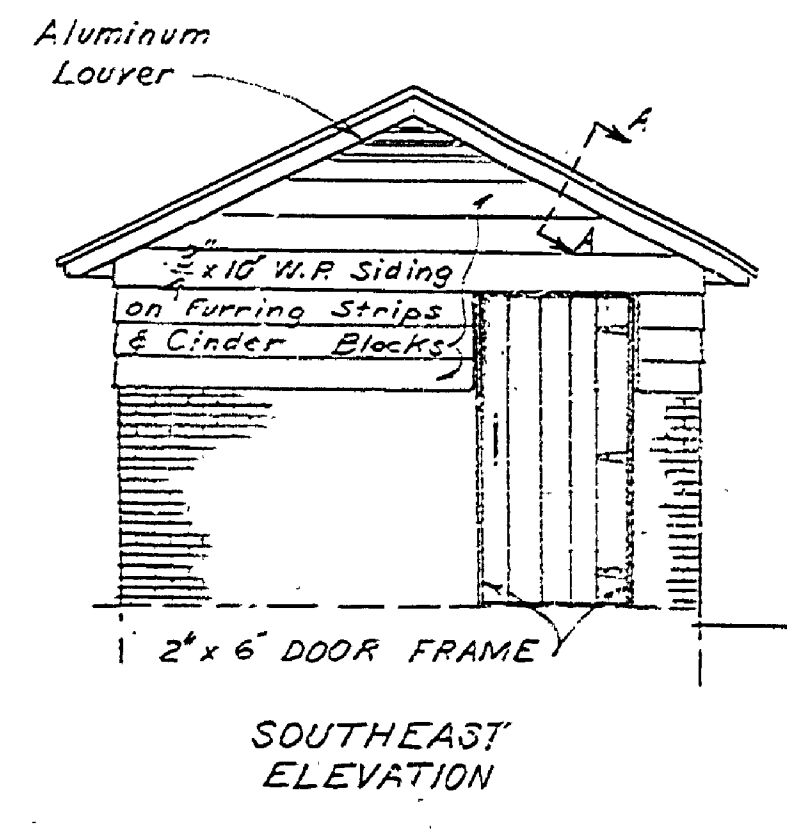
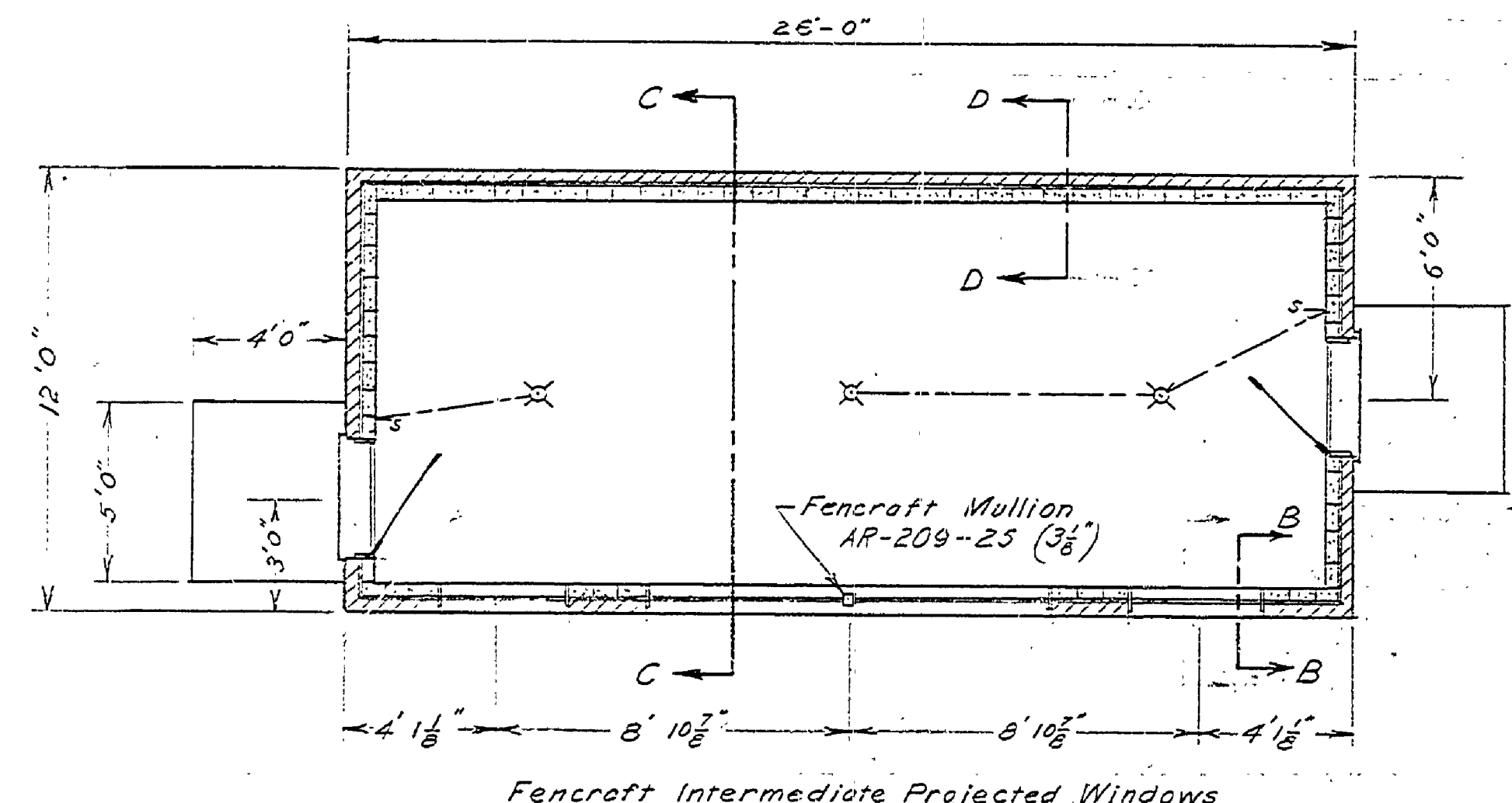
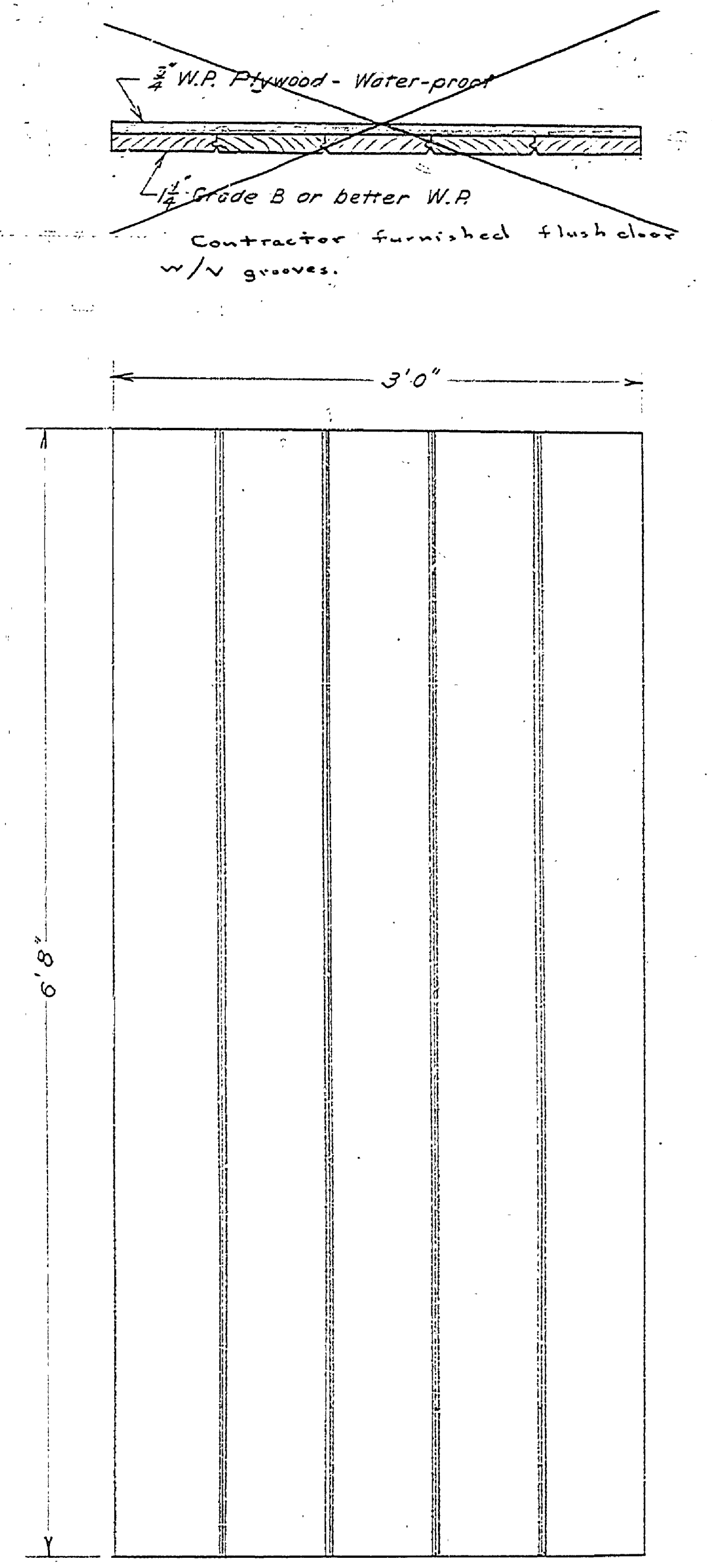
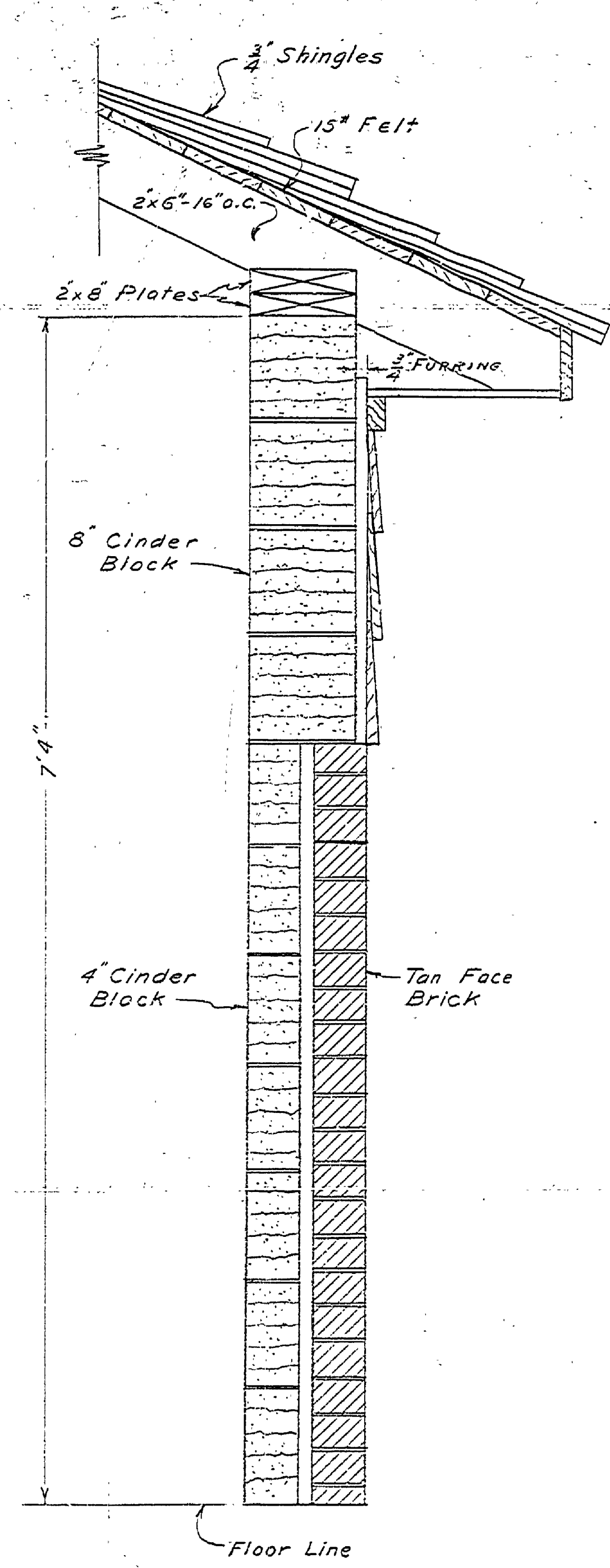
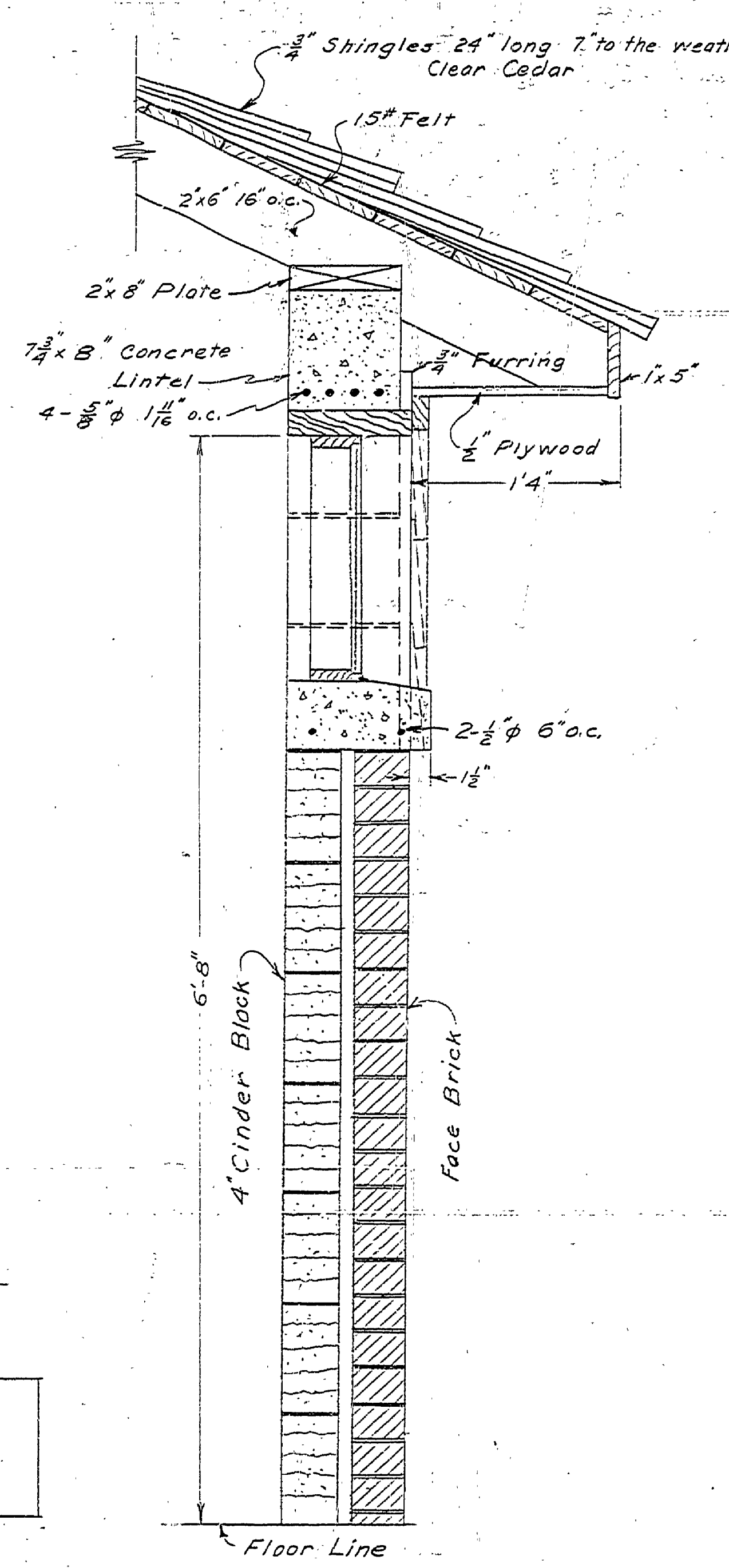
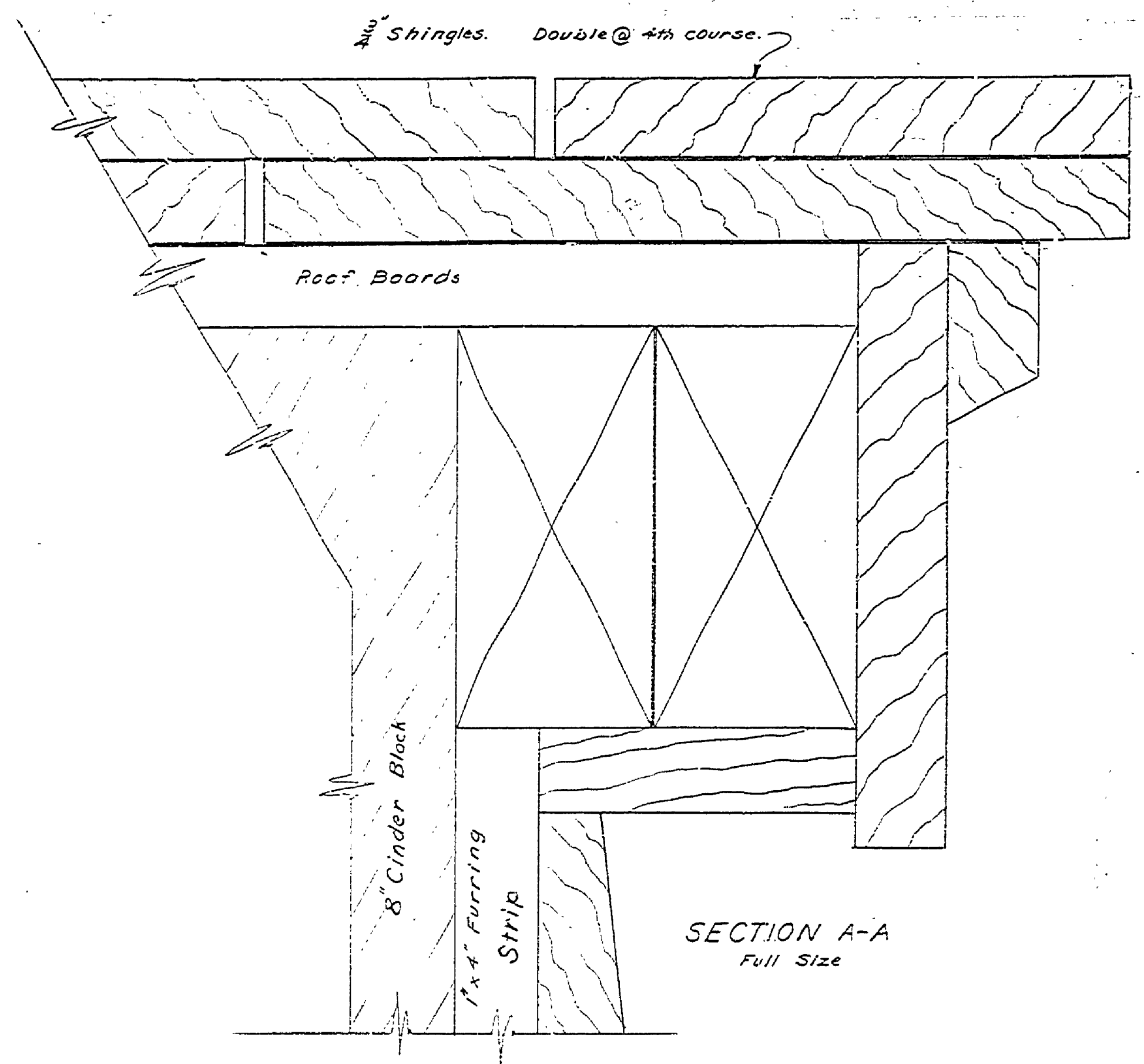


|                      |                        |                      |                         |                       |                     |                |     |      |    |           |      |    |
|----------------------|------------------------|----------------------|-------------------------|-----------------------|---------------------|----------------|-----|------|----|-----------|------|----|
| DRAWN BY<br>G. HALIK | CHECKED BY<br>E. J. P. | DATE<br>AUG. 25, '32 | REVIEWED BY SECTIONS    |                       | APPROVED BY         |                | NO. | DATE | BY | REVISIONS | DATE | BY |
|                      |                        |                      | ARCHITECTURAL<br>S.T.R. | ENGINEERING<br>H.C.M. | LANDSCAPE<br>S.T.R. | DATE<br>7-8-30 |     |      |    |           |      |    |
|                      |                        |                      |                         |                       |                     |                | 1   |      |    | 4         |      |    |
|                      |                        |                      |                         |                       |                     |                | 2   |      |    | 5         |      |    |
|                      |                        |                      |                         |                       |                     |                | 3   |      |    | 6         |      |    |



DOOR  
1 1/2" = 1'  
3-Richard Wilcox #1035 Heavy Offset Hinges  
24 x 2 1/2" x 1/4" Wrought Steel  
Tubular Latch Set with separate cylinder lock set.  
Old Iron finish with dead lock.

PUMP HOUSE SUPERSTRUCTURE

MICHIGAN  
DEPARTMENT OF CONSERVATION  
PARKS AND RECREATION DIVISION

BAY CITY STATE PARK  
SANITARY SEWERAGE SYSTEM  
SCALE: AS SHOWN

SHEET  
NO. 2  
OF 16  
PLAN NO.  
E-107