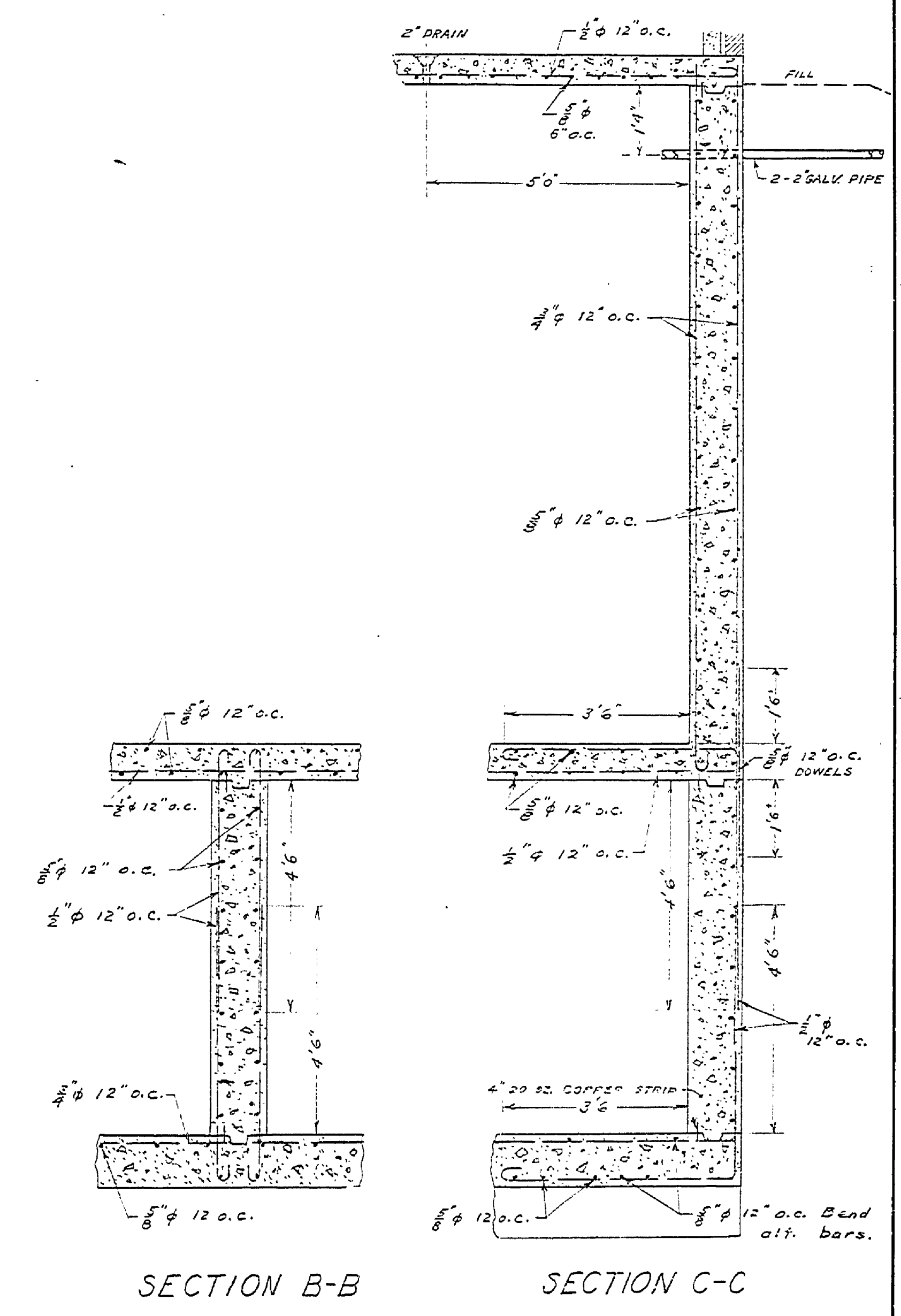
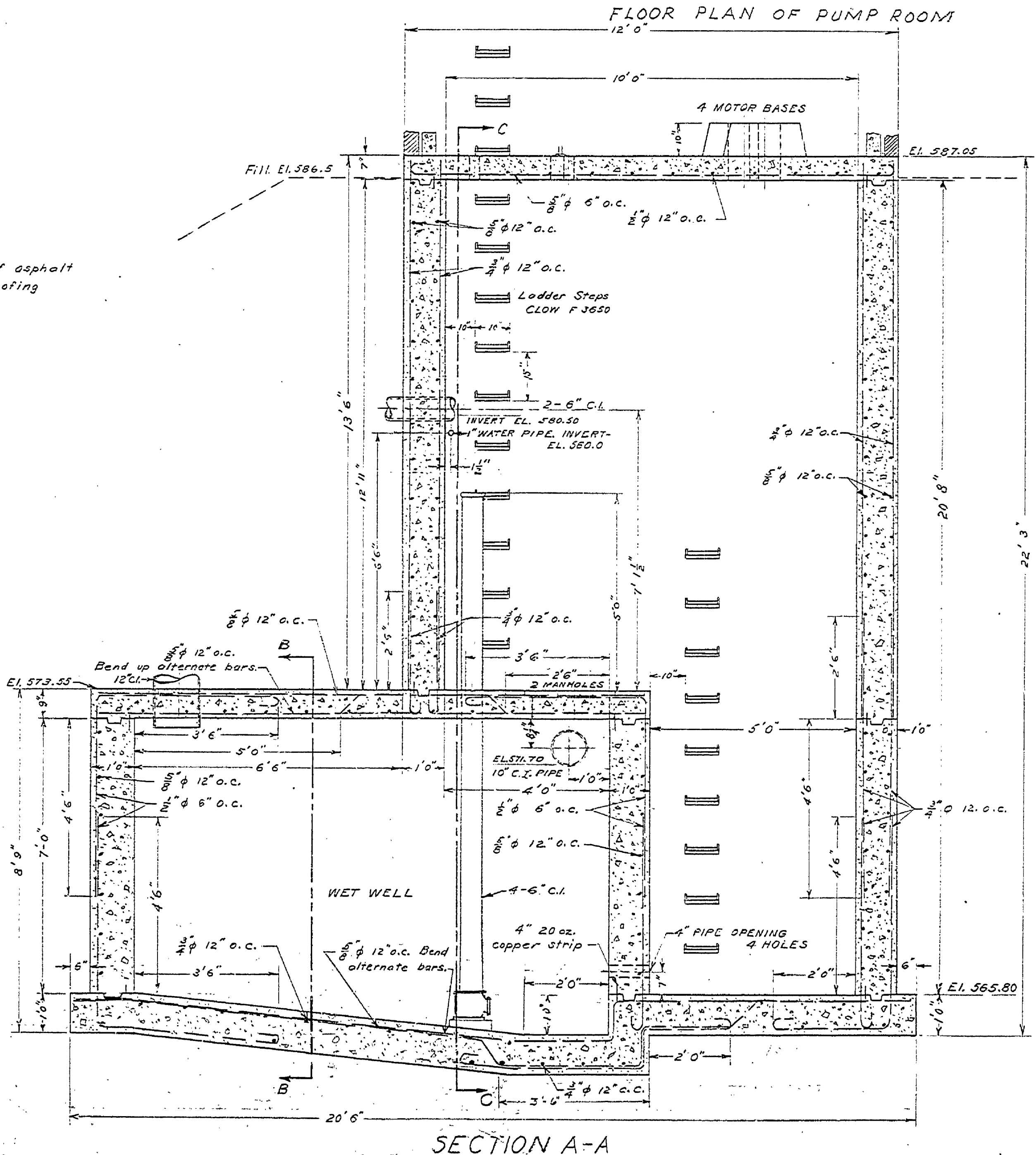
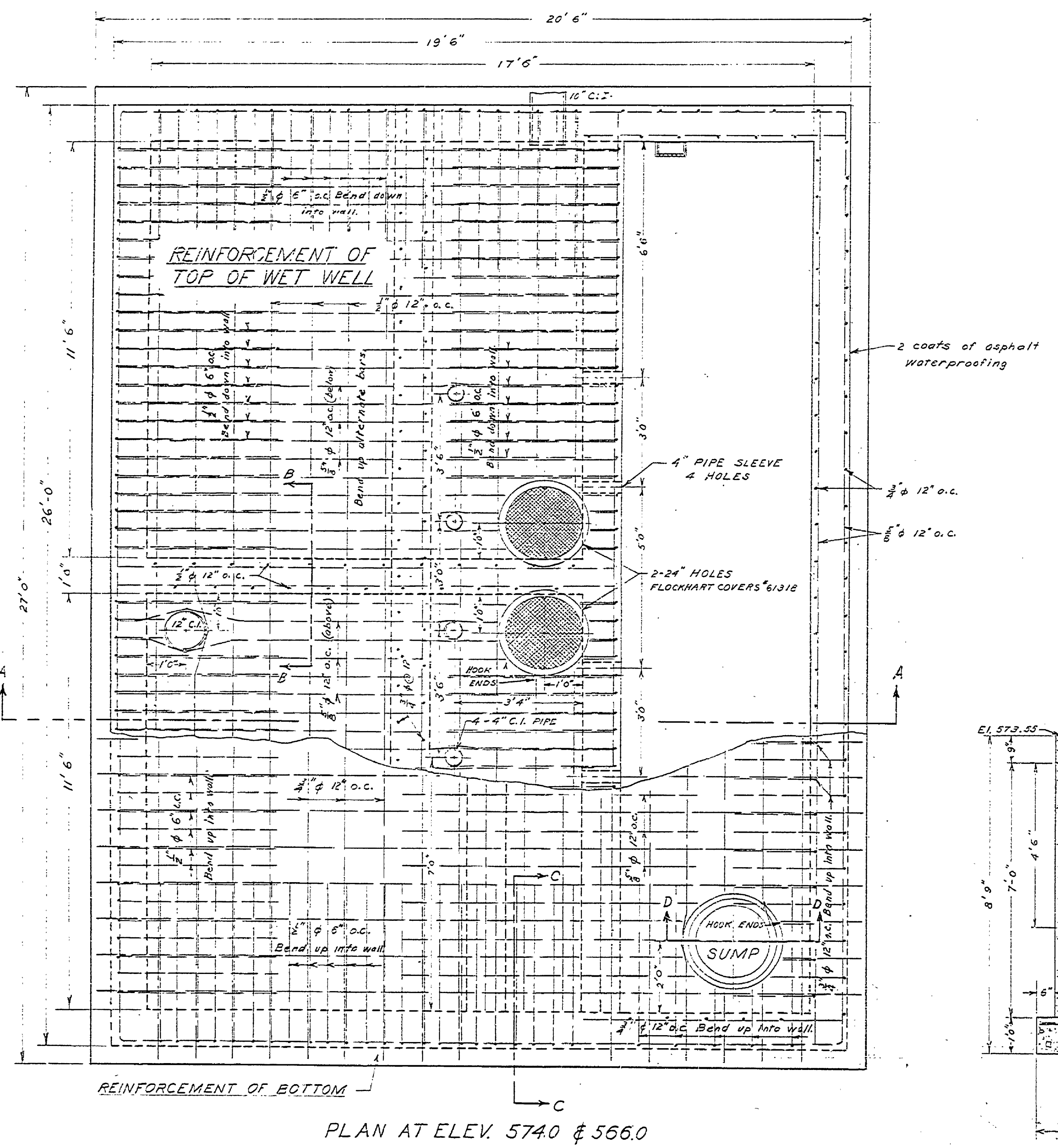
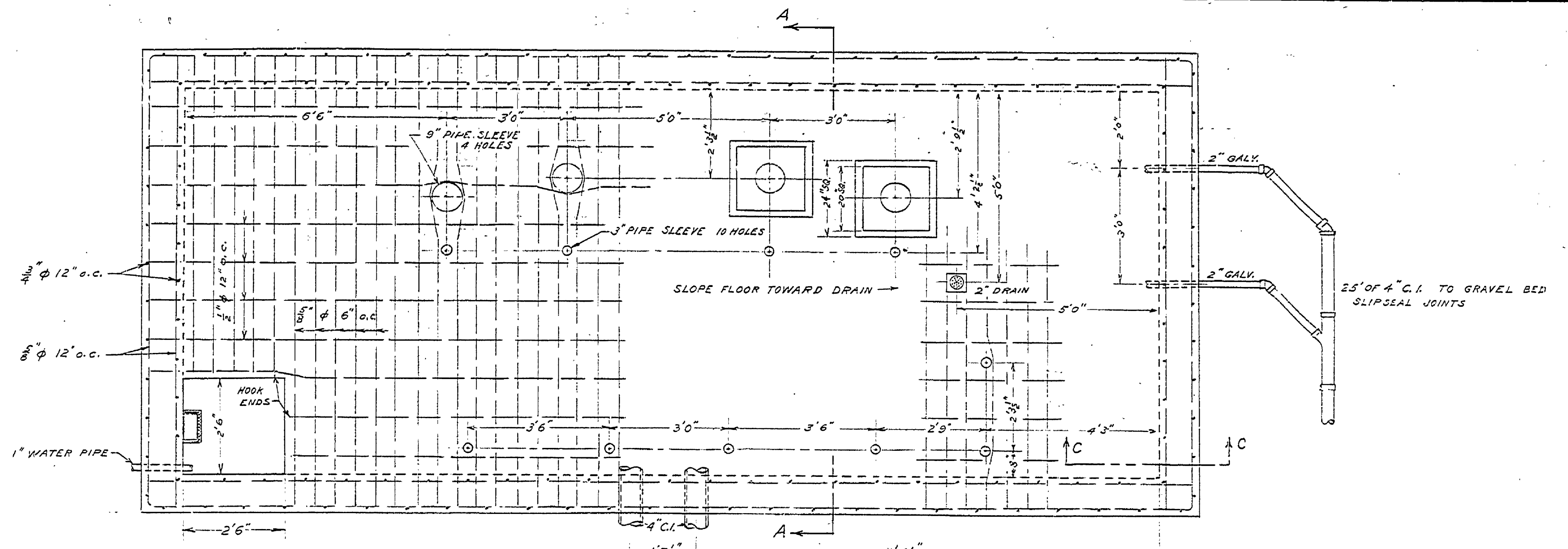
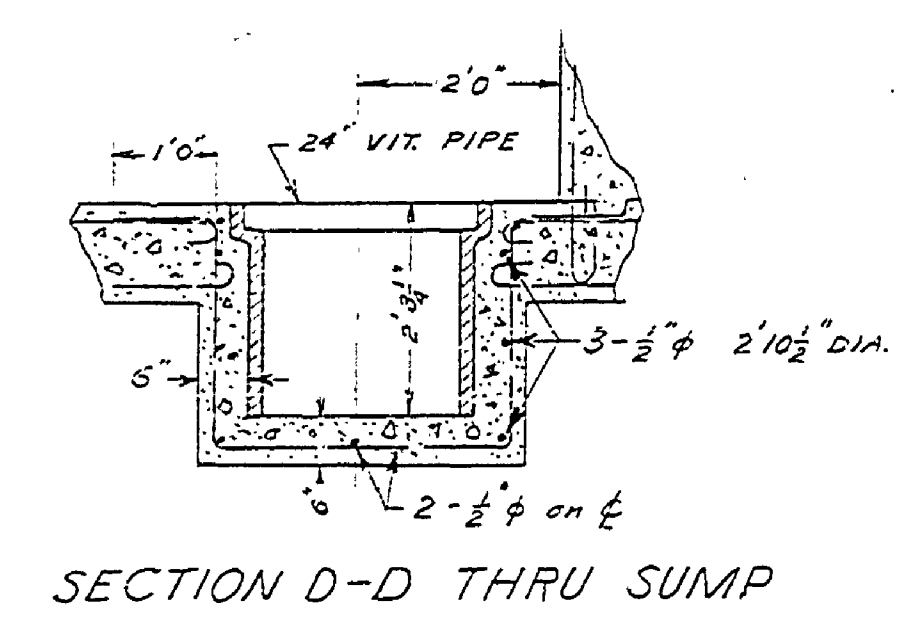


DRAWN BY	CHECKED BY	DATE	REVIEWED BY SECTIONS			APPROVED BY			NO.	DATE	BY
			ARCHITECTURAL	ENGINEERING	LANDSCAPE	DATE	DATE	DATE			
G. HALIK	E. J. P.	8-1-50	J.R.R.	A.C.M.	C.J.R.	9-8-50	6-8-50	9-8-50	1		
									2		
									3		
									4		
									5		
									6		



STRUCTURAL DETAILS OF PUMP HOUSE

MICHIGAN DEPARTMENT OF CONSERVATION PARKS AND RECREATION DIVISION

BAY CITY STATE PARK SANITARY SEWERAGE SYSTEM SCALE: 1/2" = 1'-0"

SHEET NO. 3 OF 16 PLAN NO. E-107