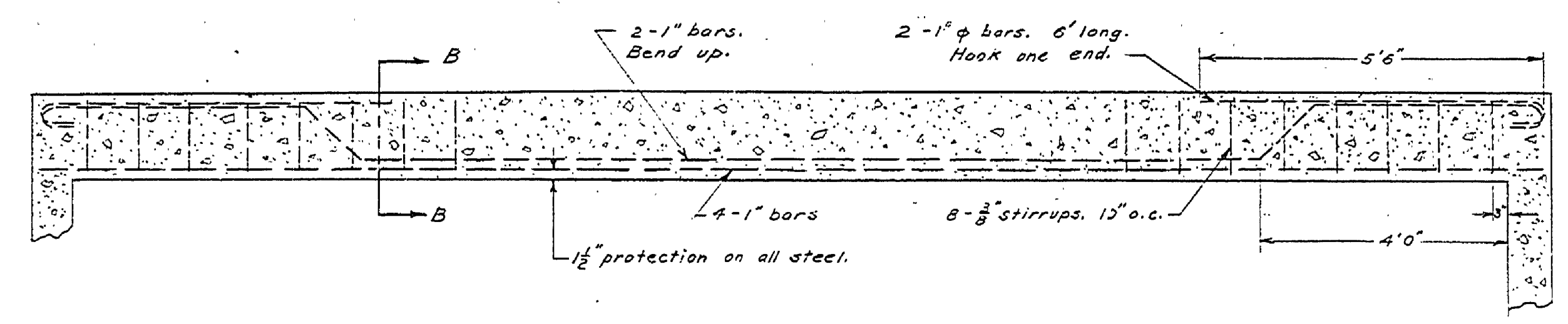
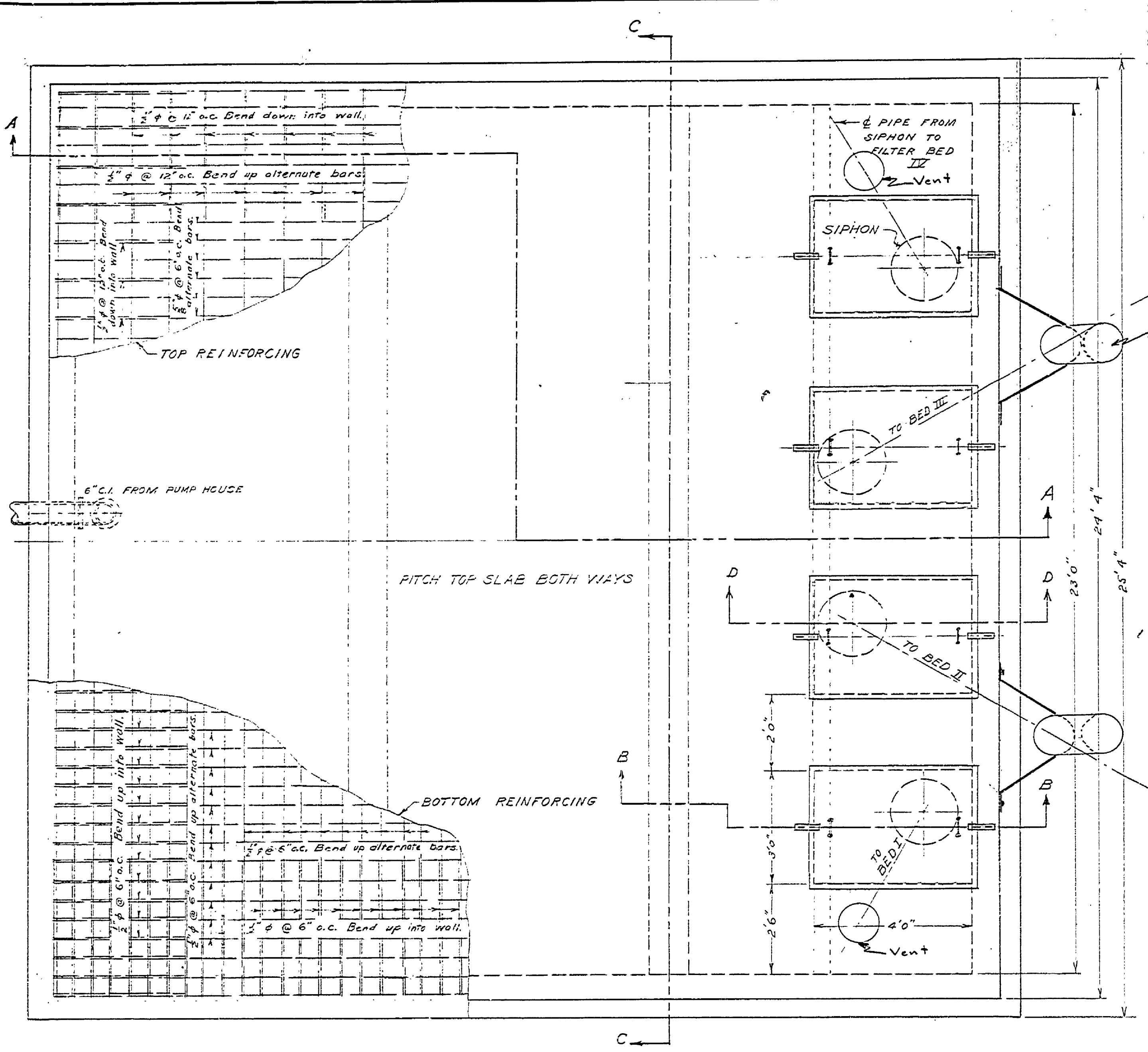
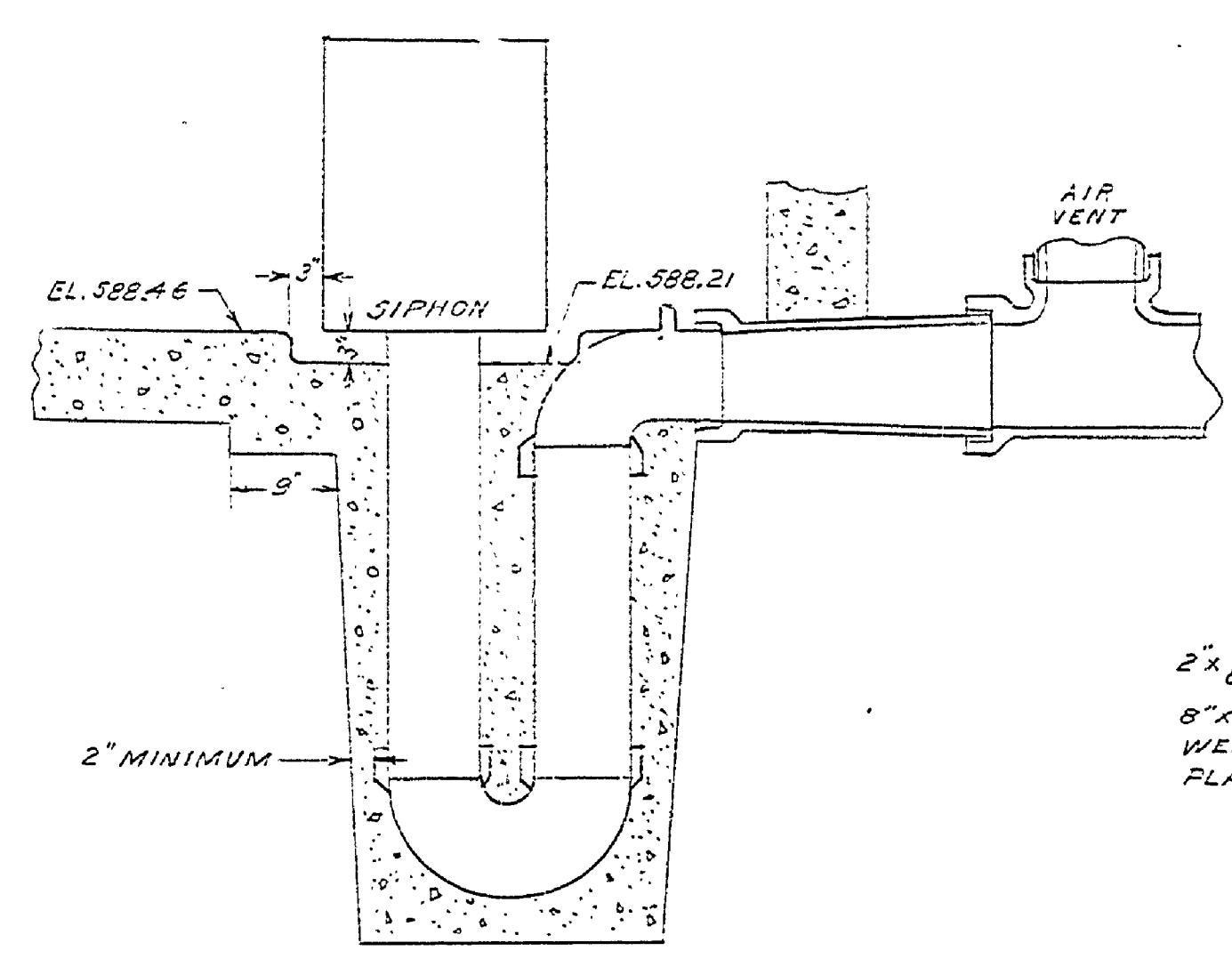


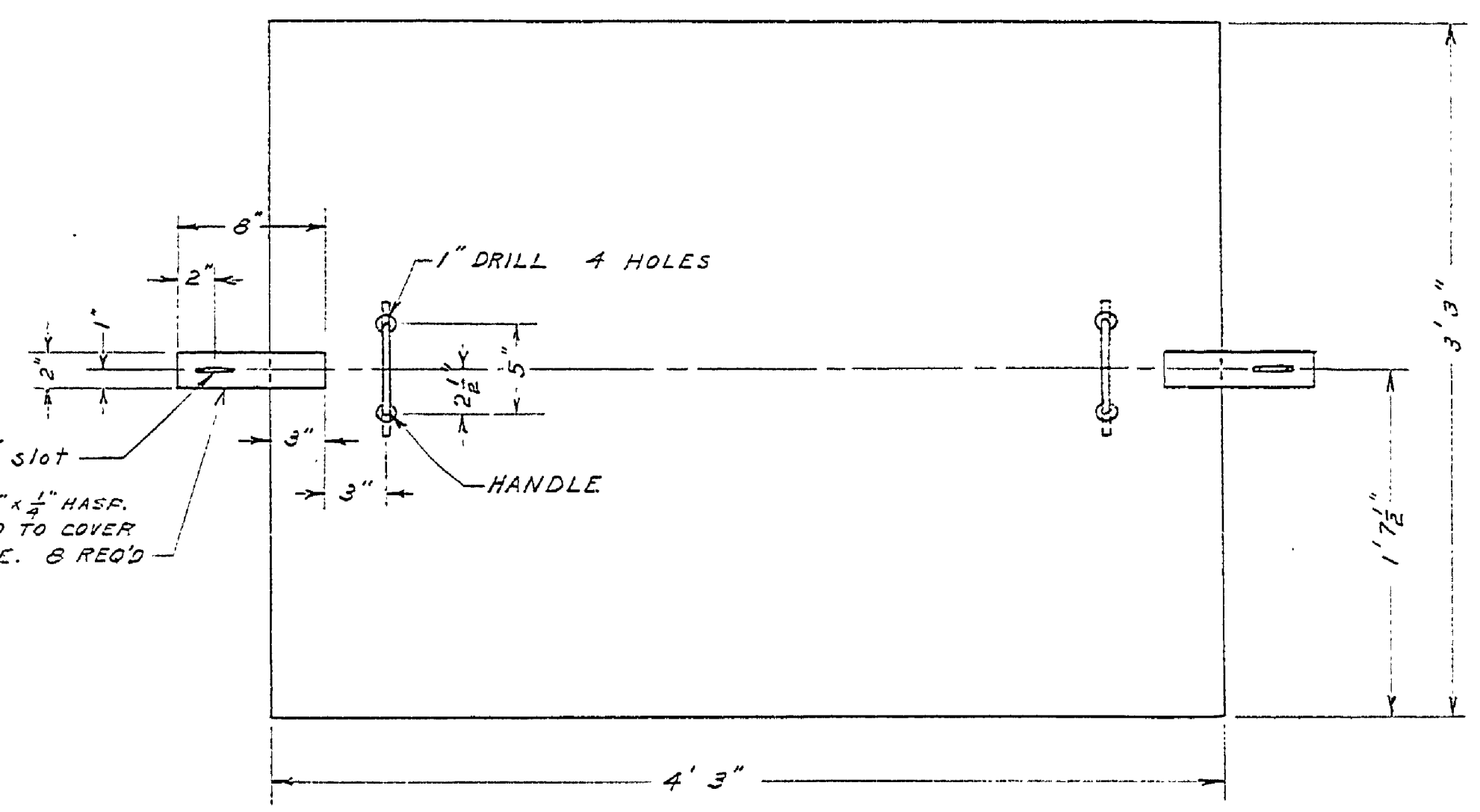
REVISIONS	NO.	DATE	BY
	4		
	5		
	6		
APPROVED BY	DATE	APPROVED BY	DATE
<i>[Signature]</i>	7-8-50	<i>[Signature]</i>	7-8-50
ASSISTANT CHIEF IN CHARGE	DATE OF DESIGN		
<i>[Signature]</i>	7-8-50		
REVIEWED BY SECTIONS	DATE	REVIEWED BY SECTIONS	DATE
ARCHITECTURAL	7-8-50	ARCHITECTURAL	7-8-50
ENGINEERING	7-8-50	ENGINEERING	7-8-50
LANDSCAPE	7-8-50	LANDSCAPE	7-8-50
DRAWN BY	DATE	DRAWN BY	DATE
G. HALIK	7-8-50	G. HALIK	7-8-50
CHECKED BY	DATE	CHECKED BY	DATE
E. J. P.	7-19-50	E. J. P.	7-19-50



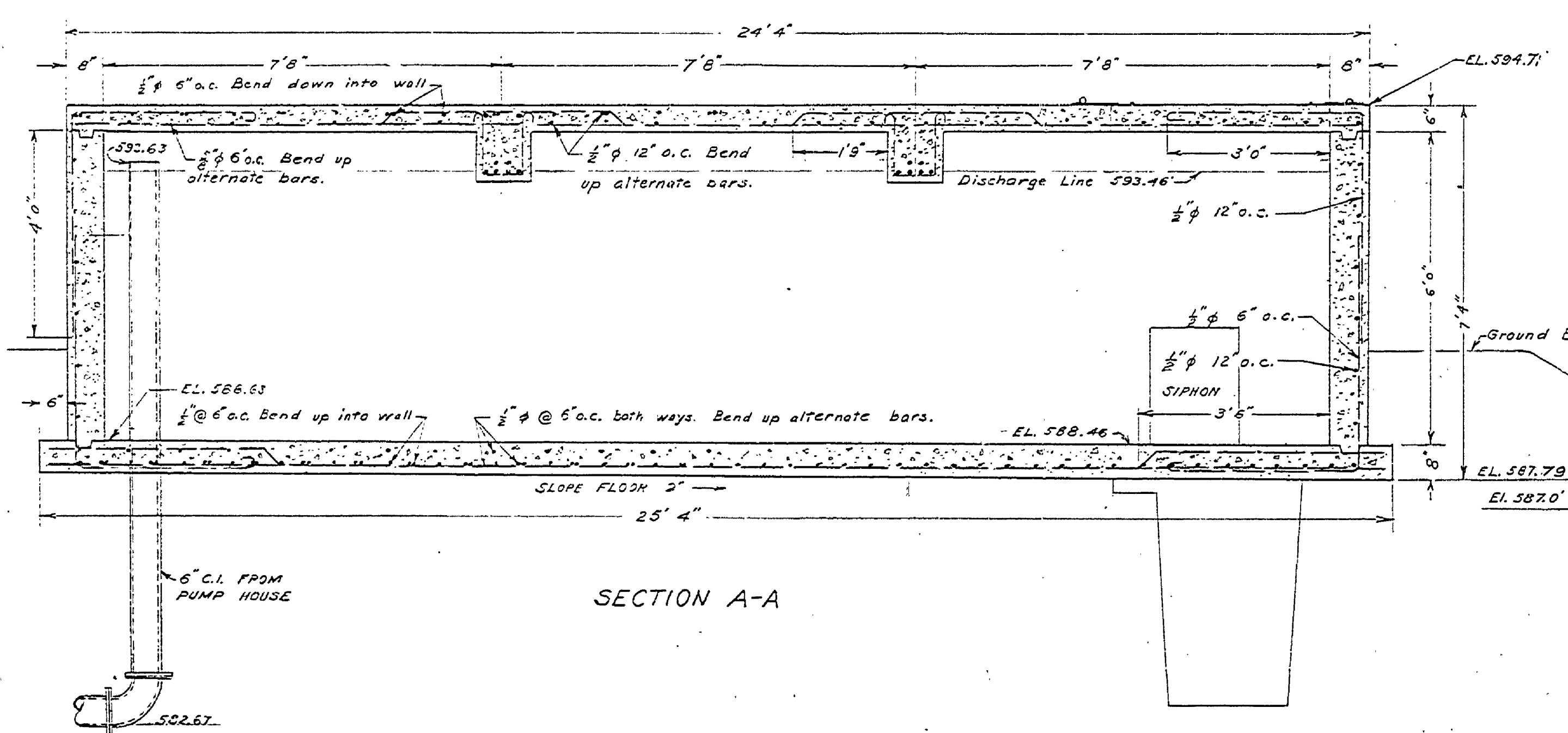
BEAM SECTION C-C



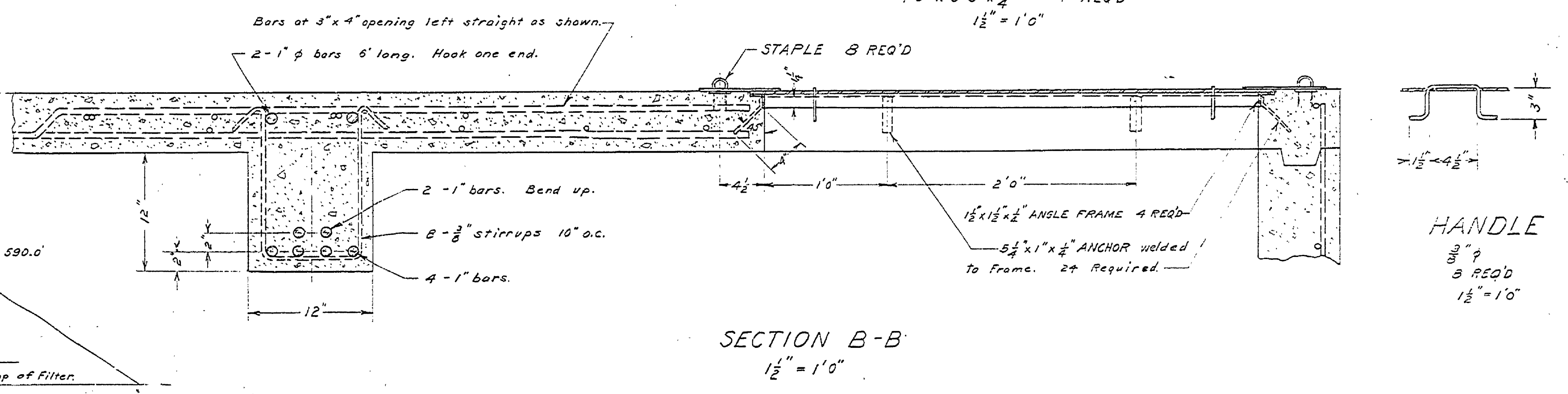
SECTION D-D
1/2" = 1'0"



COVER PLATE
4'3" x 3'3" x 1/2" 4 REQ'D
1 1/2" = 1'0"



SECTION A-A



SECTION B-B
1 1/2" = 1'0"

HANDLE
5/8\"/>

DOSING CHAMBER

MICHIGAN
DEPARTMENT OF CONSERVATION
PARKS AND RECREATION DIVISION

BAY CITY STATE PARK
SANITARY SEWERAGE SYSTEM
SCALE: 1/2" = 1'0" OR AS SHOWN.

SHEET
NO. 5
OF 16

PLAN NO.
E-107