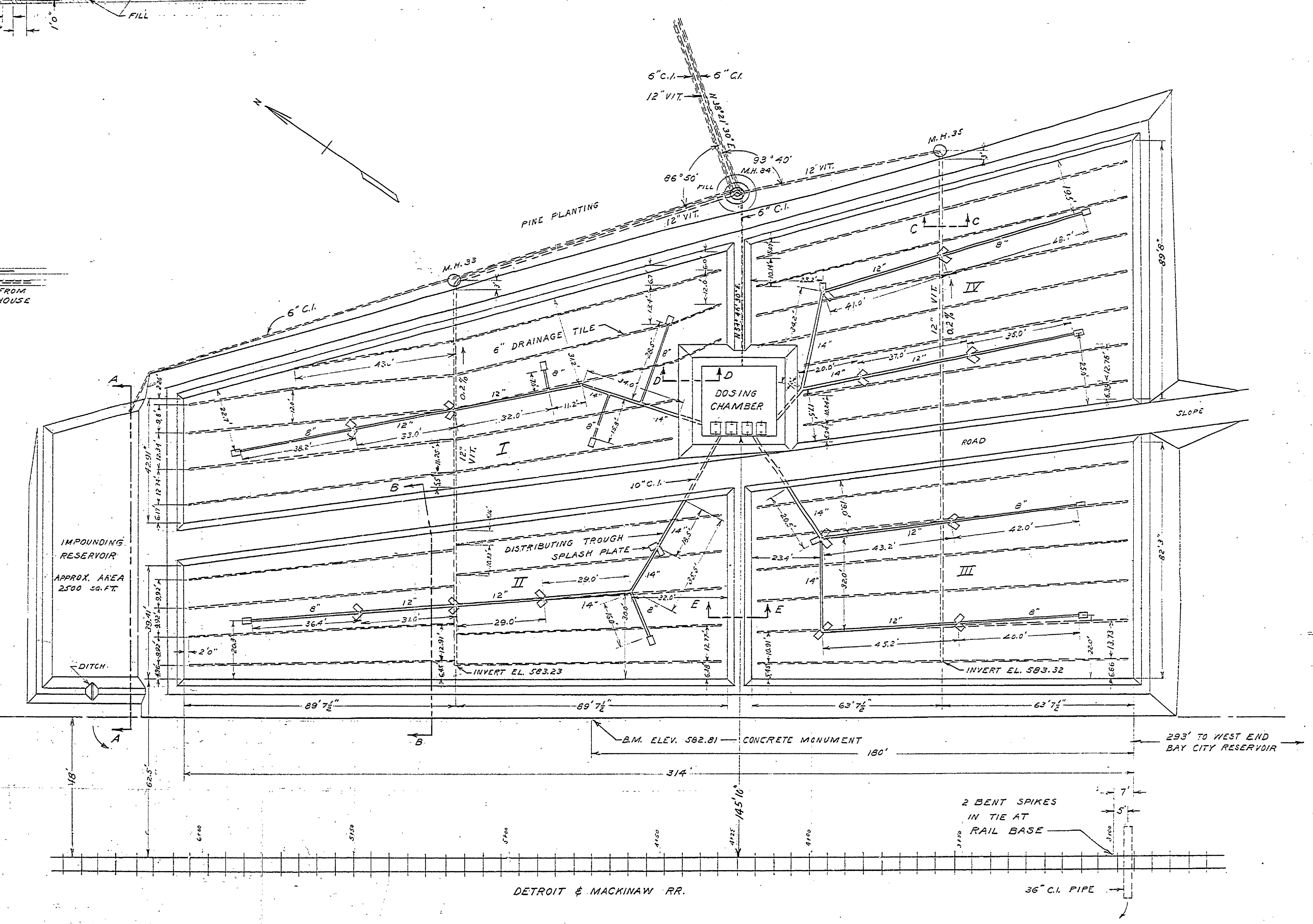
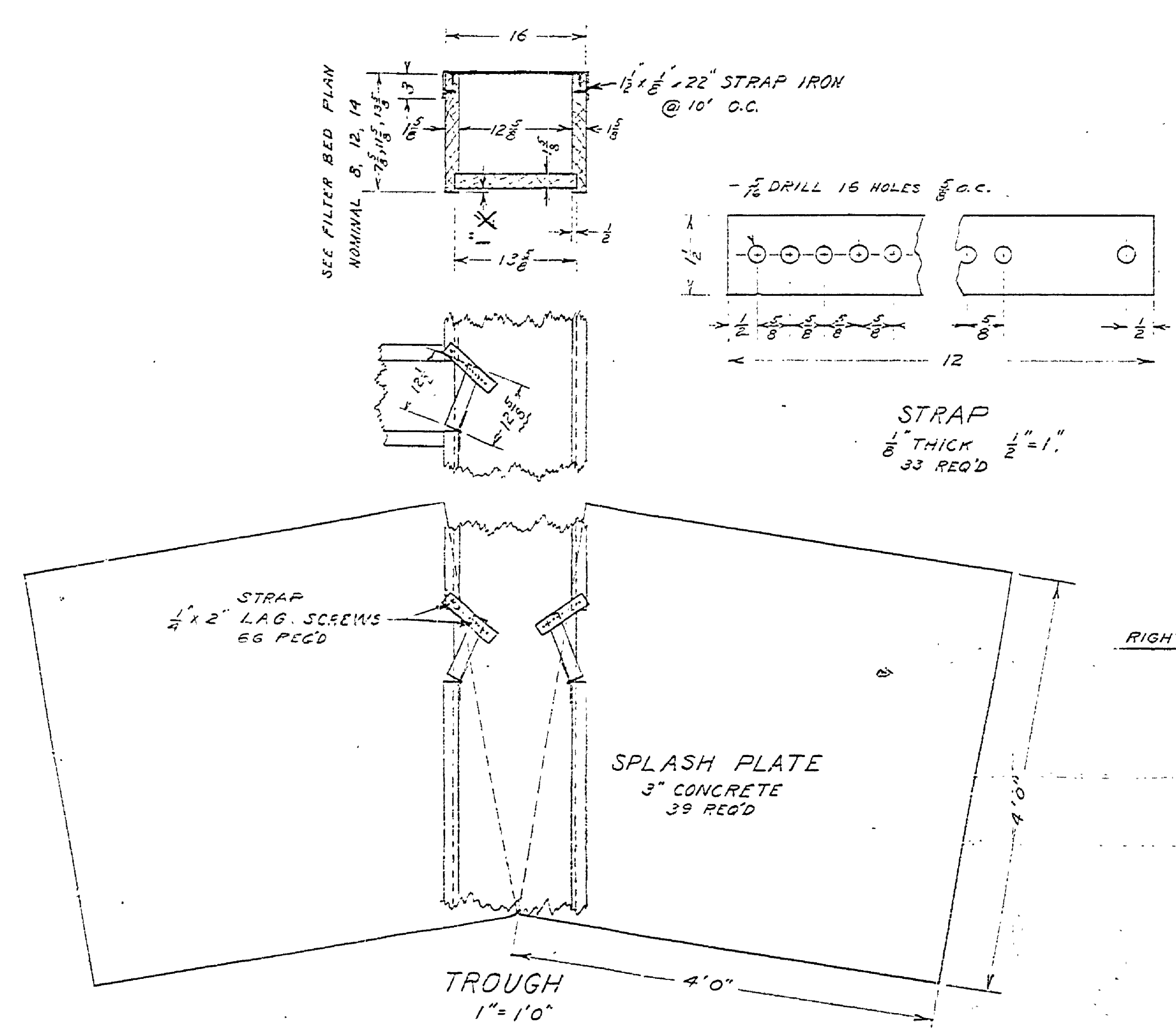
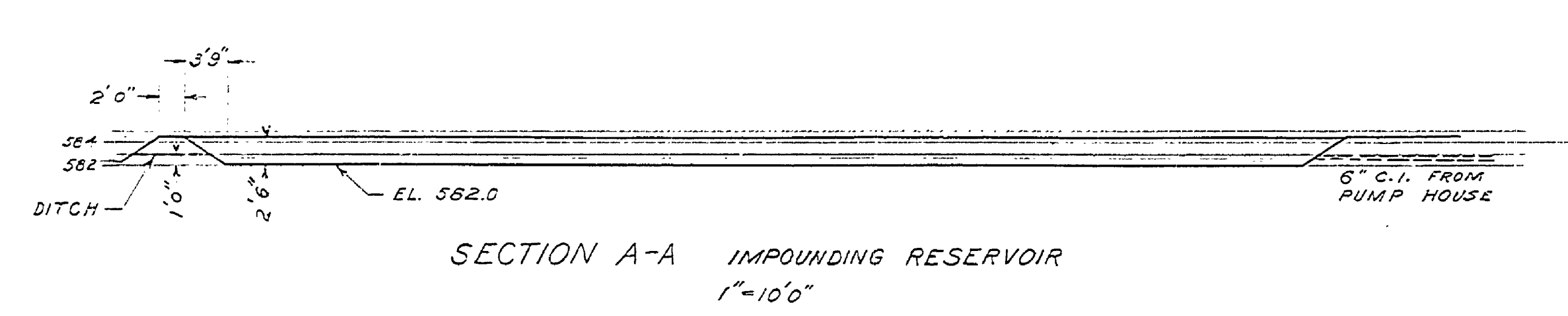
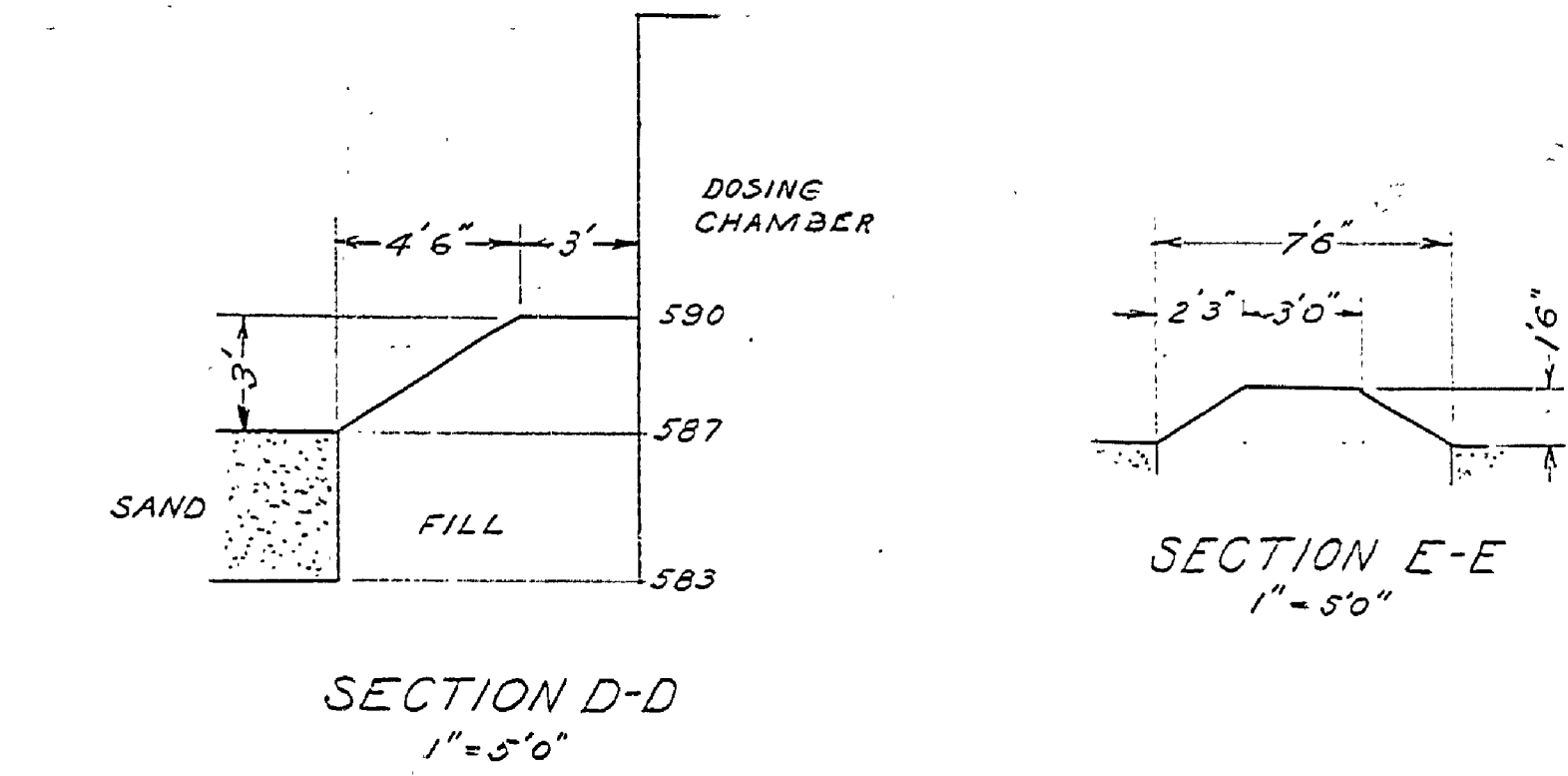
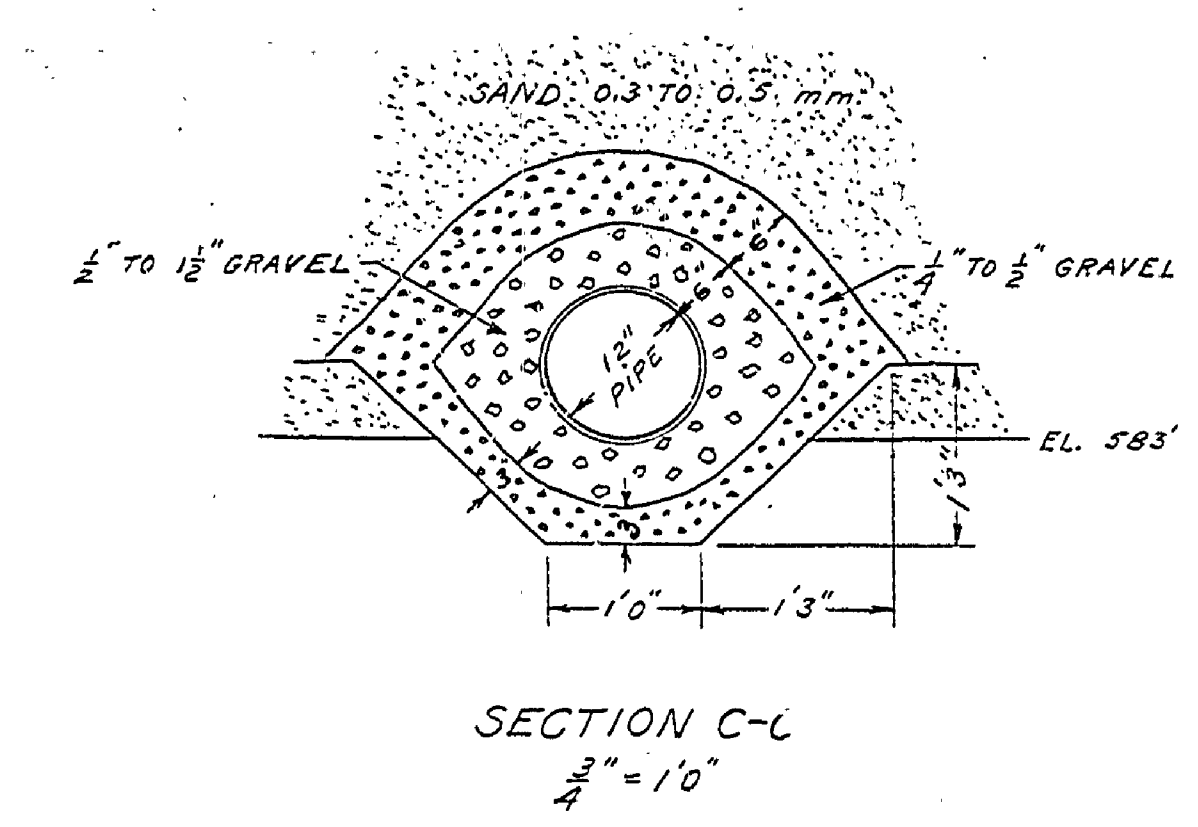
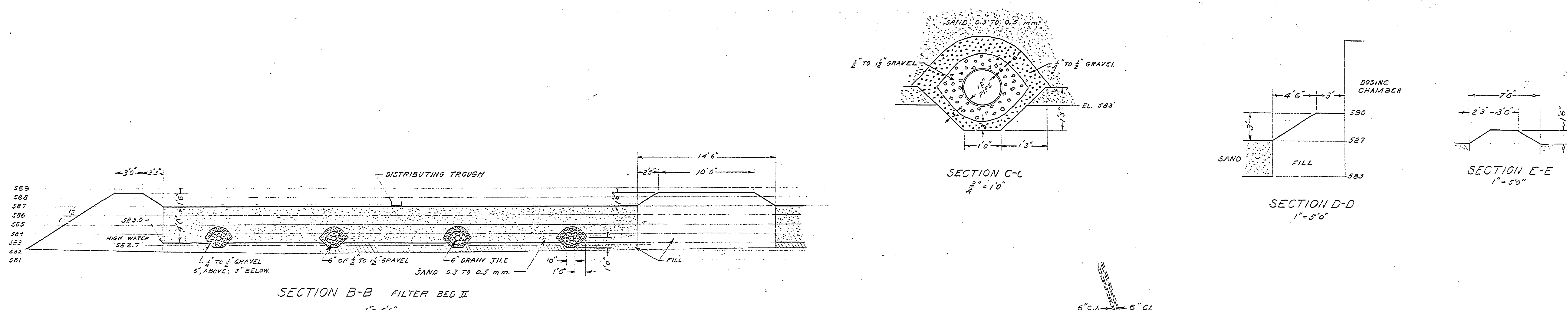


DRAWN BY G. HALIK	CHECKED BY E. J. R.	DATE JULY 13, 50	REVIEWED BY SECTIONS ARCHITECTURAL ENGINEERING LANDSCAPE	APPROVED BY	DATE	NO.	DATE	BY
				J.I.R.	8-8-50	1		
				J.I.R.	8-8-50	2		
				H.C.M.	8-8-50	3		
				J.I.R.	8-8-50	4		
						5		
						6		



FILTER BED, DOSING CHAMBER & IMPOUNDING RESERVOIR

MICHIGAN
DEPARTMENT OF CONSERVATION
PARKS AND RECREATION DIVISION

BAY CITY STATE PARK
SANITARY SEWERAGE SYSTEM
SCALE: 1"=20' OR AS NOTED.

SHEET
NO. 6
OF 15
PLAN NO.
E-107