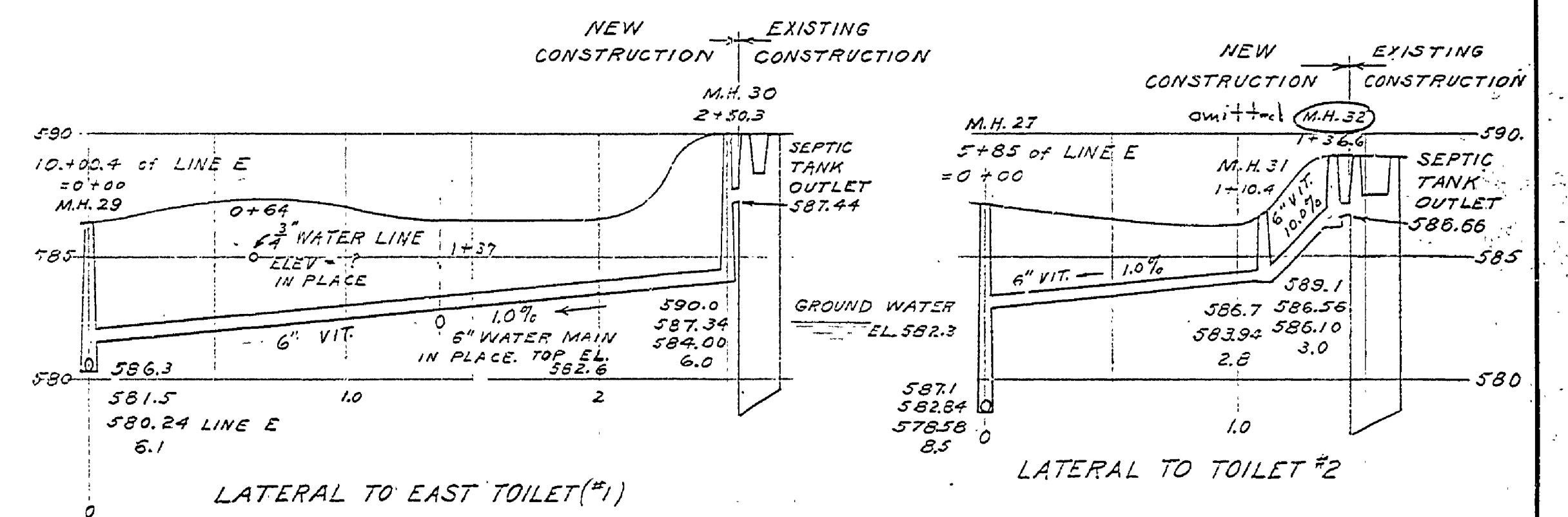
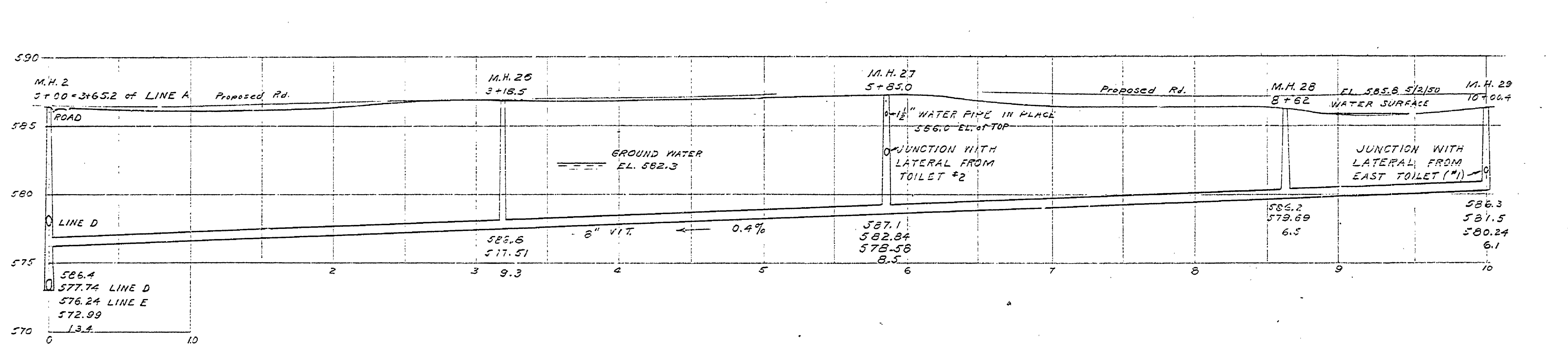
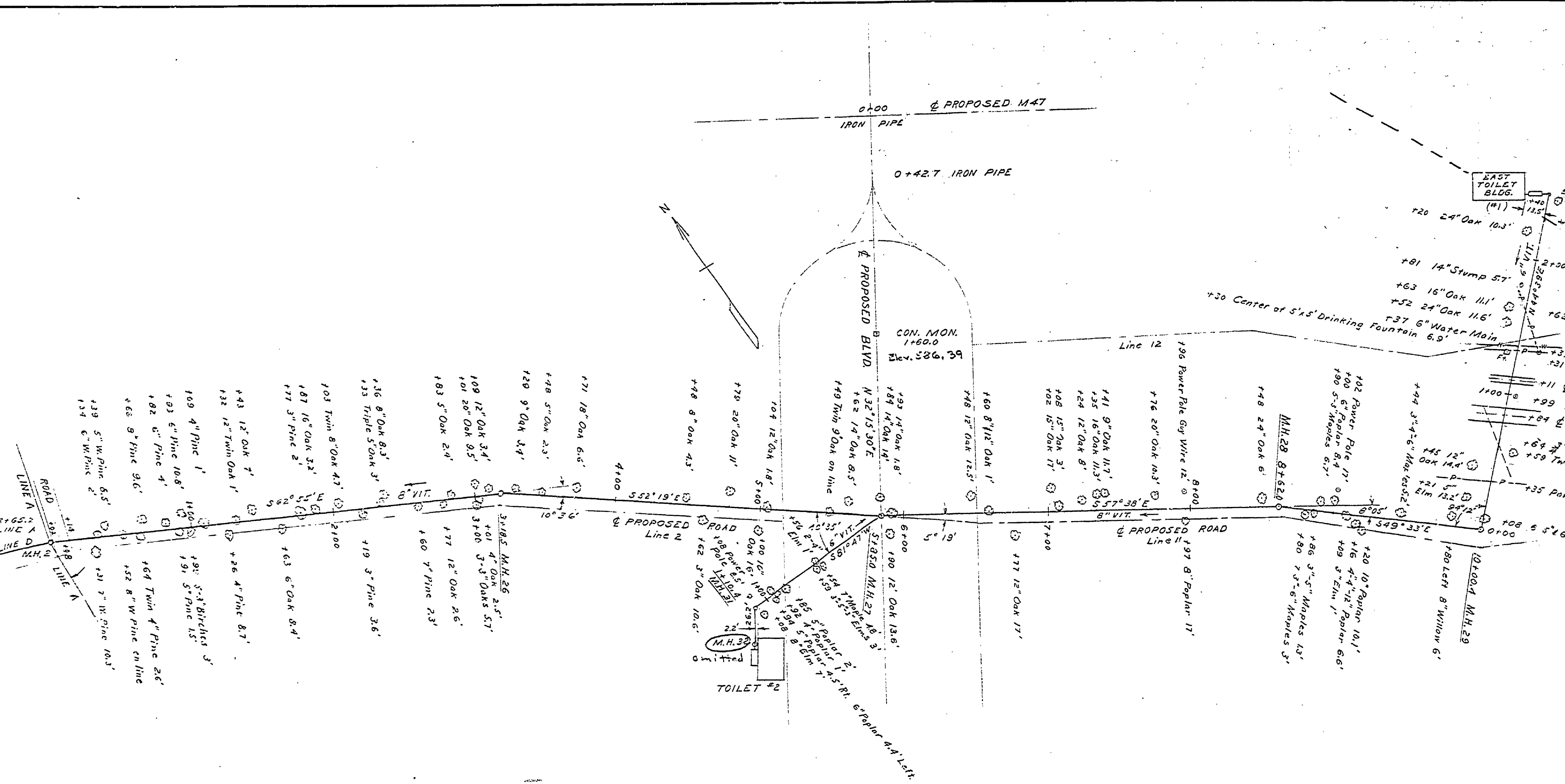


DRAWN BY G. MALIK	CHECKED BY E. J. P.	DATE JUNE 19-90	REVIEWED BY SECTIONS		APPROVED BY <i>[Signature]</i>	DATE 8-8-90	ASSISTANT CHIEF IN CHARGE OF DESIGN DATE 8-8-90
			ARCHITECTURAL J.T.R.	ENGINEERING H.C.M.			
REVISIONS			NO.	DATE	BY		
1			1				
2			2				
3			3				
4			4				
5			5				
6			6				



PLAN & PROFILE LINE E

MICHIGAN DEPARTMENT OF CONSERVATION PARKS AND RECREATION DIVISION

BAY CITY STATE PARK SANITARY SEWERAGE SYSTEM SCALE: VER. 1"=5' HOR. 1"=50'

SHEET NO. 14 OF 16 PLAN NO. E-107