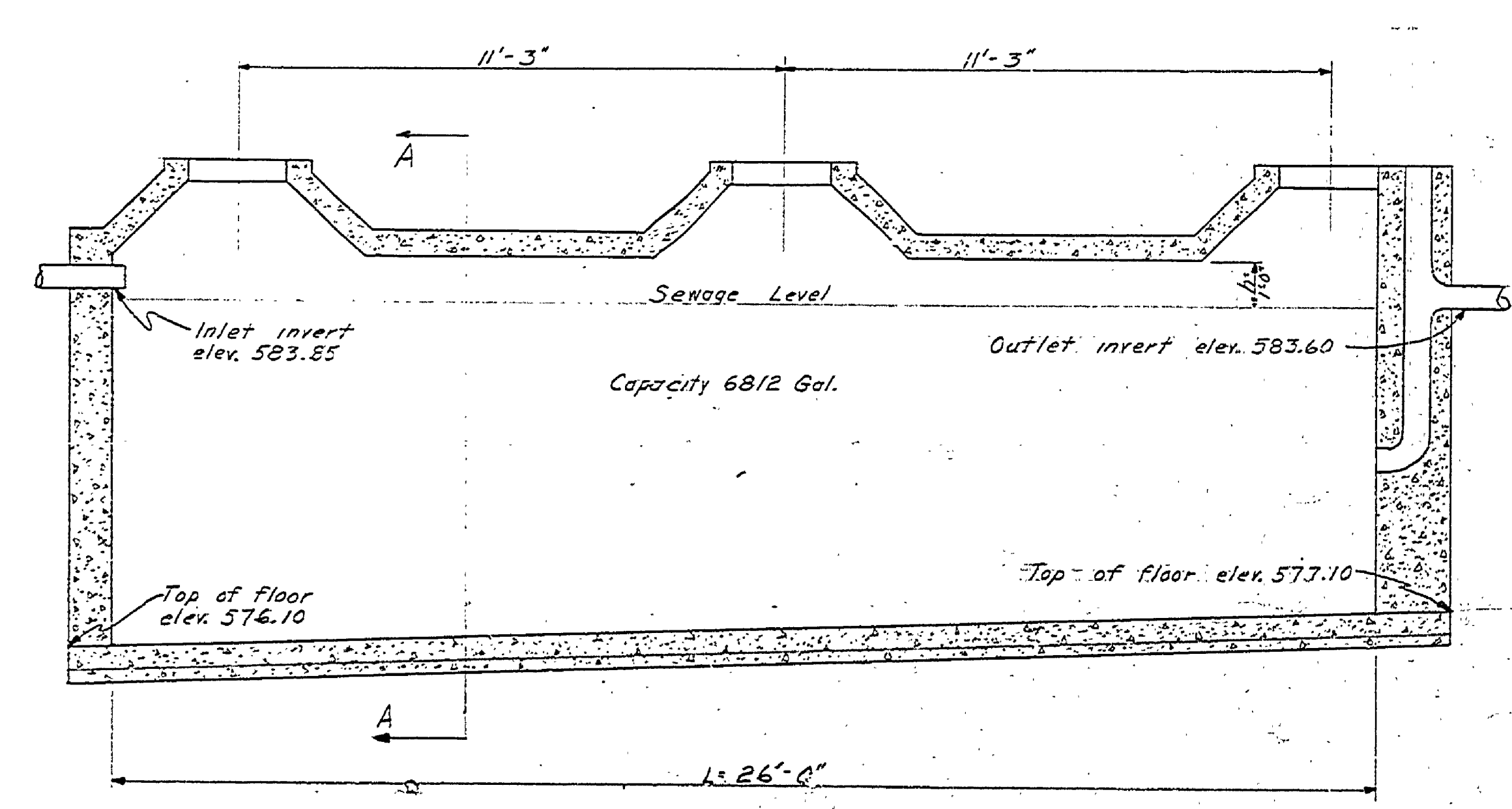
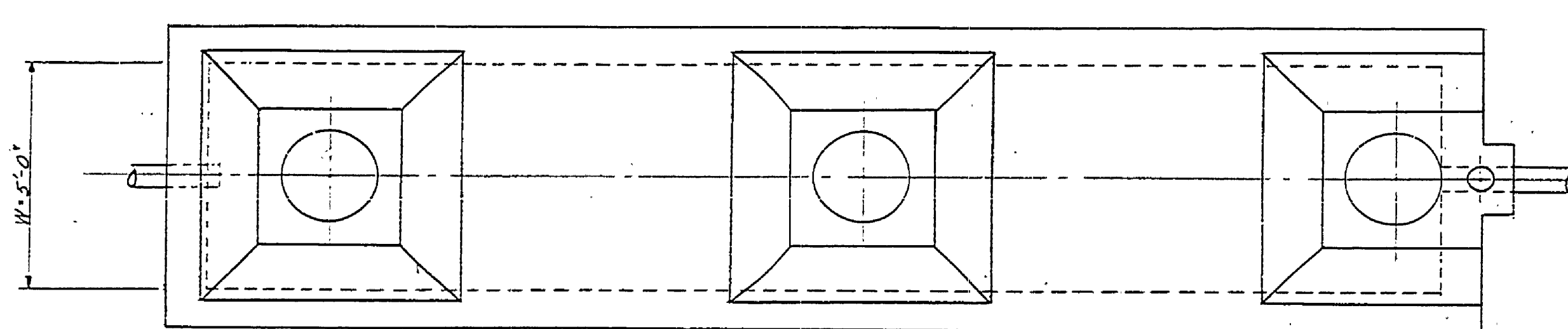
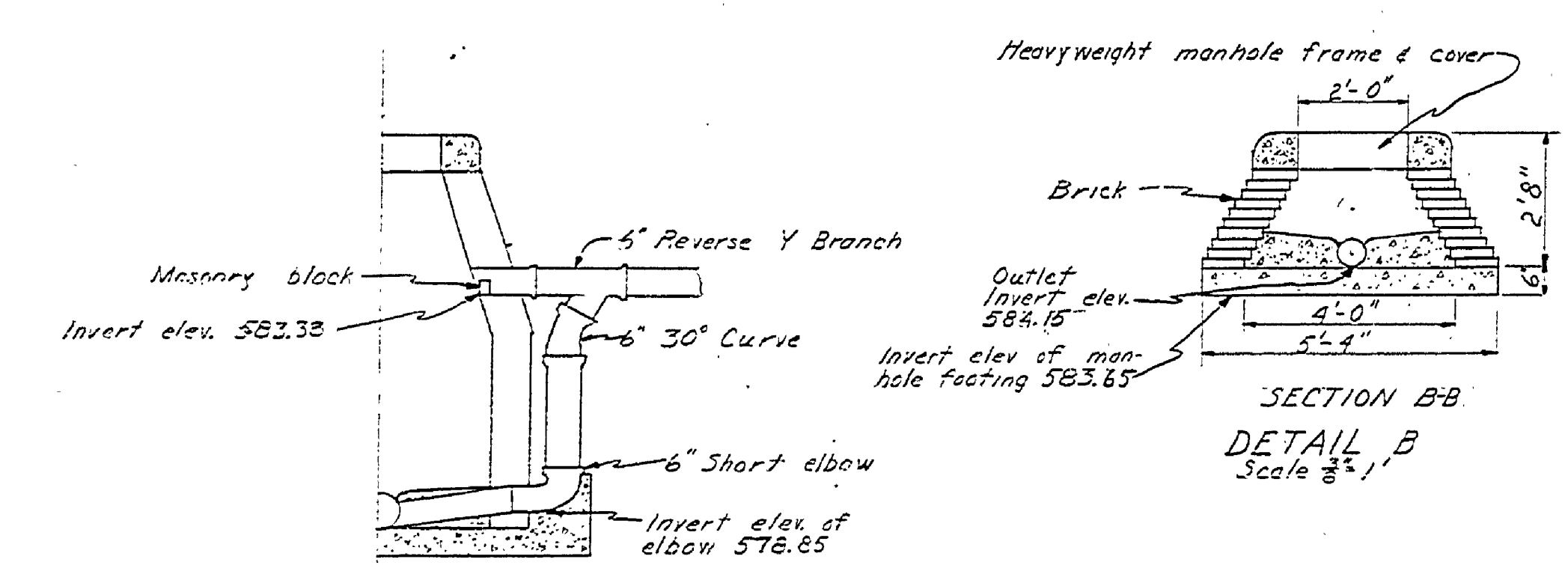
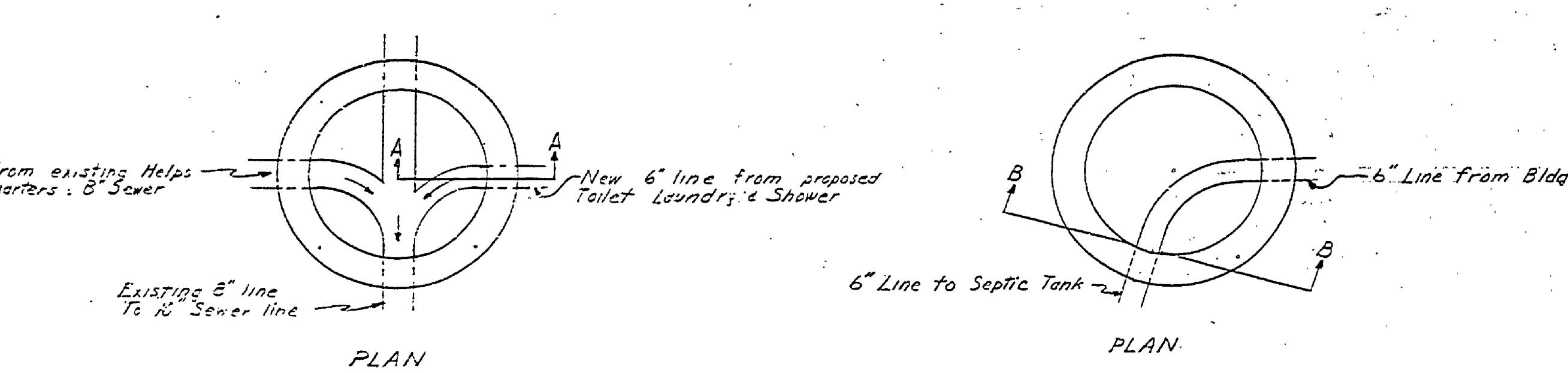
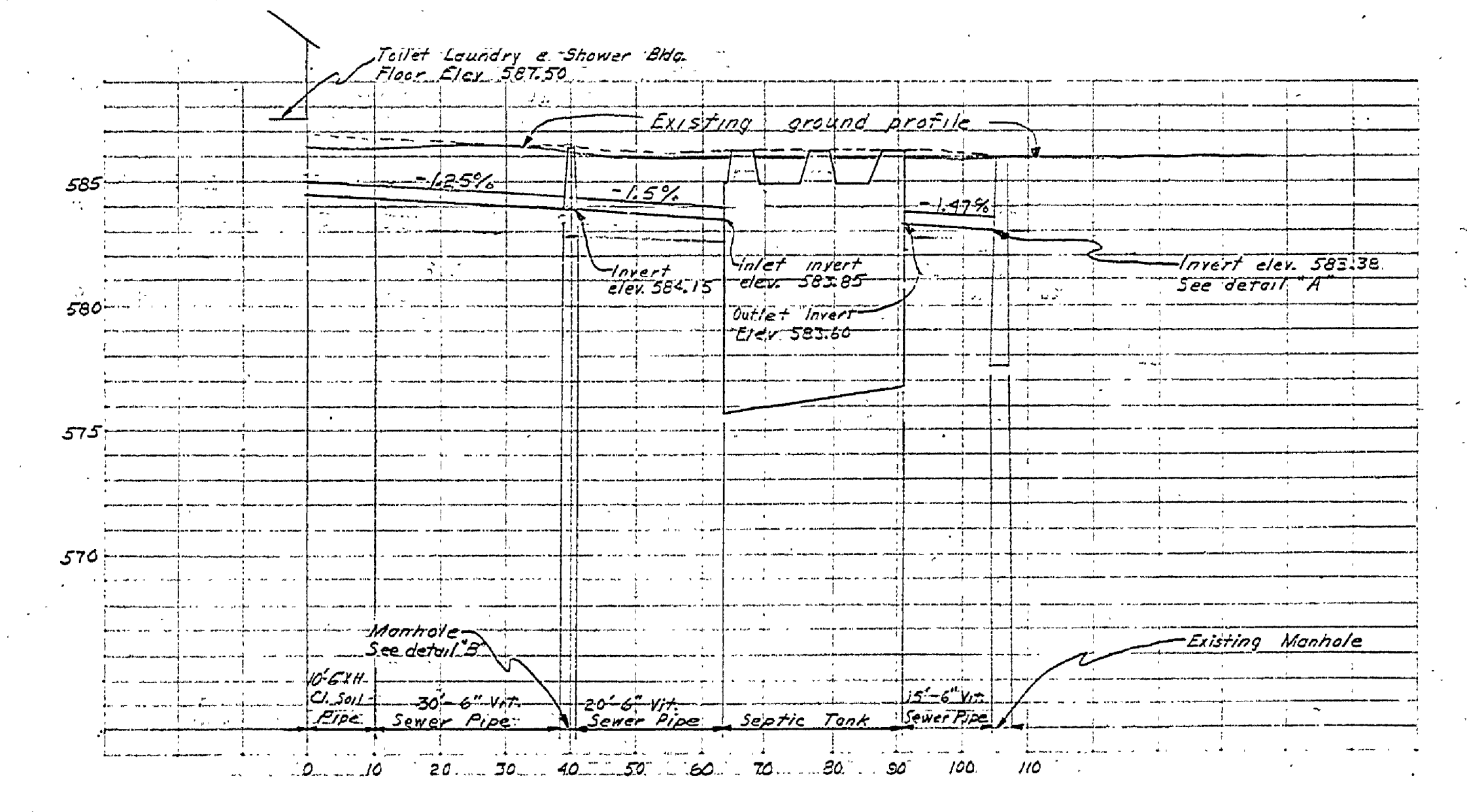
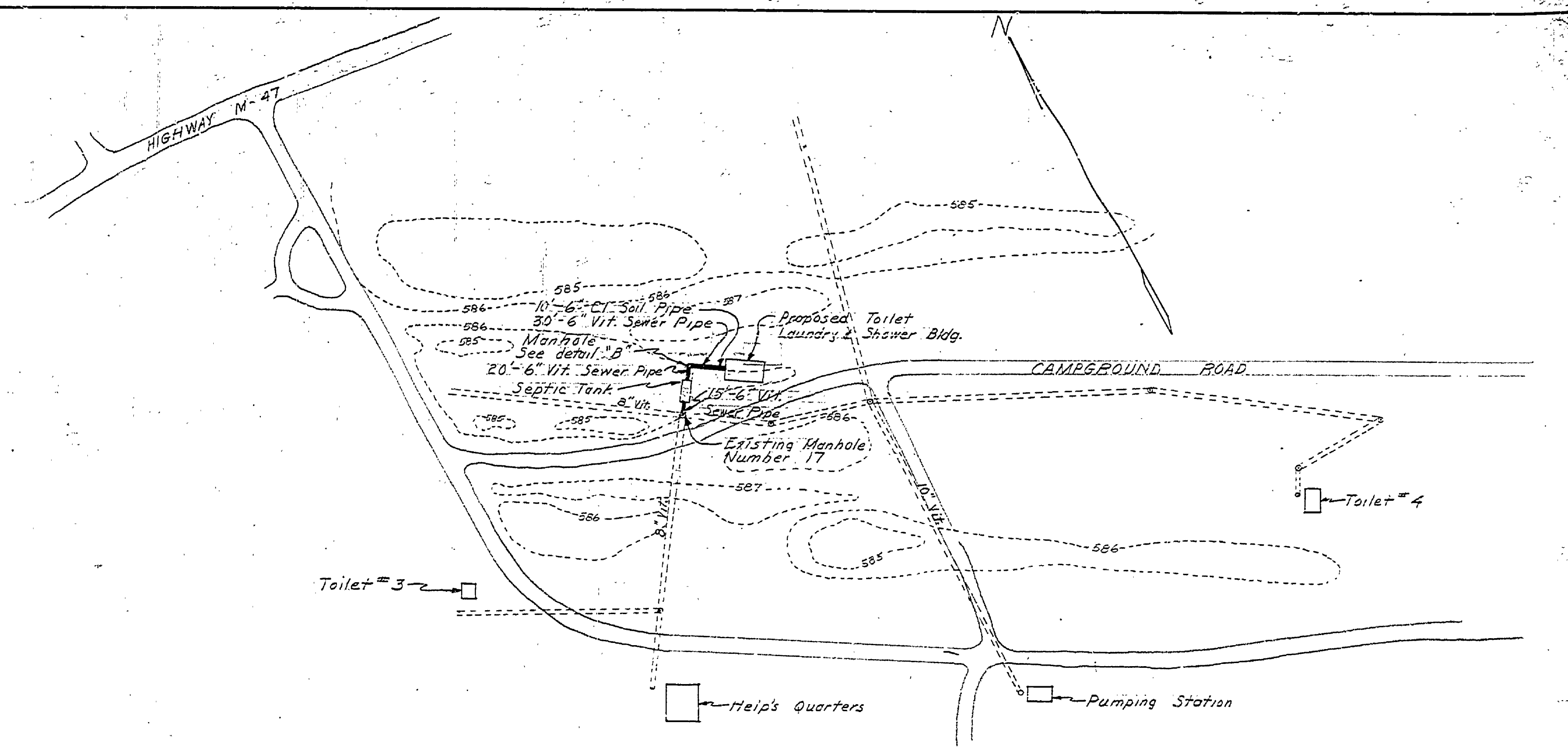
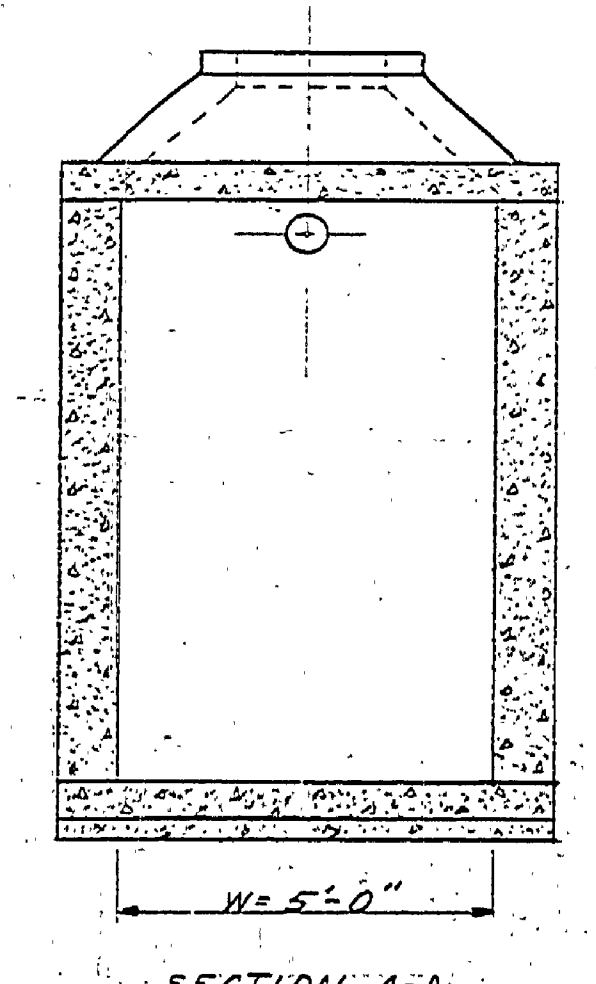


77-77	REVISIONS	NO.	DATE	BY
		1		
		2		
		3		
		4		
		5		
		6		



NOTES FOR SEPTIC TANK.
See Septic Standard Plan.
Plan No. SE-121 for steel reinforcing
details & detail dimensions.
Use L=26'-0"; W=5'-0"; H=1'-10"



PROFILE
Scale: Hor. 1"=20'
Ver. 1"=5'

APPROVED BY	DATE	REVIEWED BY SECTIONS
<i>[Signature]</i>	5-14-52	ARCHITECTURAL J.T.R.
ASSISTANT CHIEF IN CHARGE	5-14-52	ENGINEERING H.C.M.
OF DESIGN	5-14-52	LANDSCAPE V.T.R.

DRAWN BY	DATE
A.H.G.	23 April 1952

CHECKED BY	DATE
E. J. P.	23 April 1952