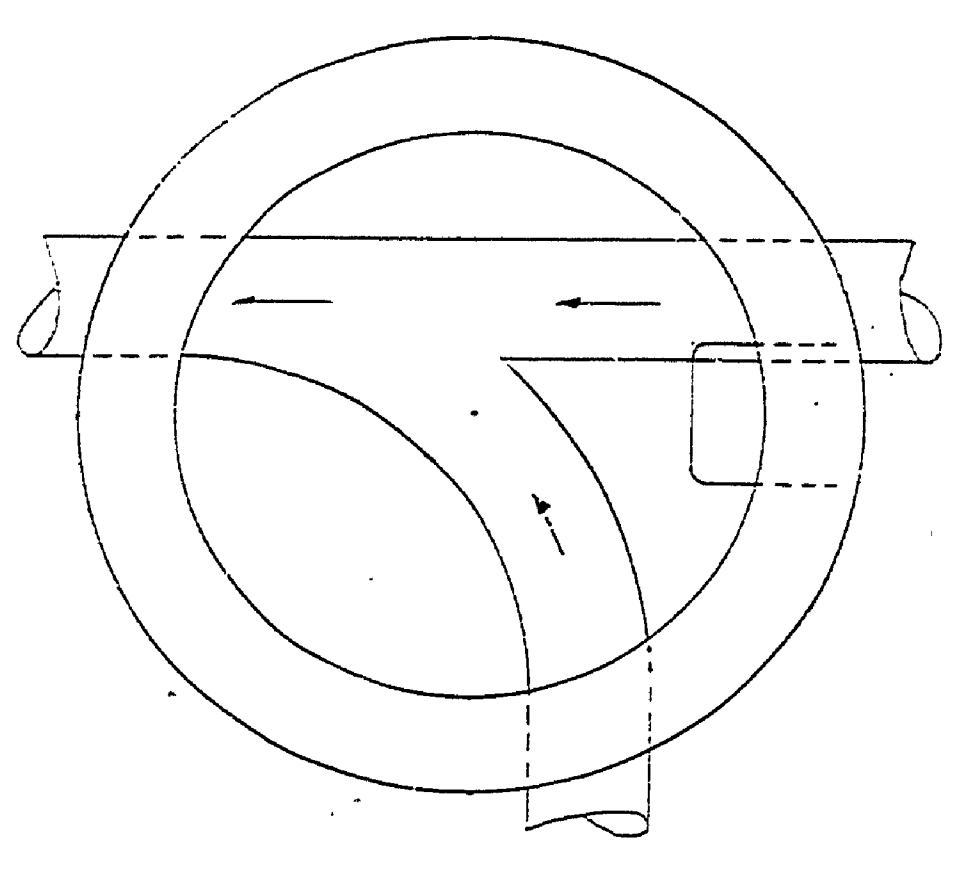
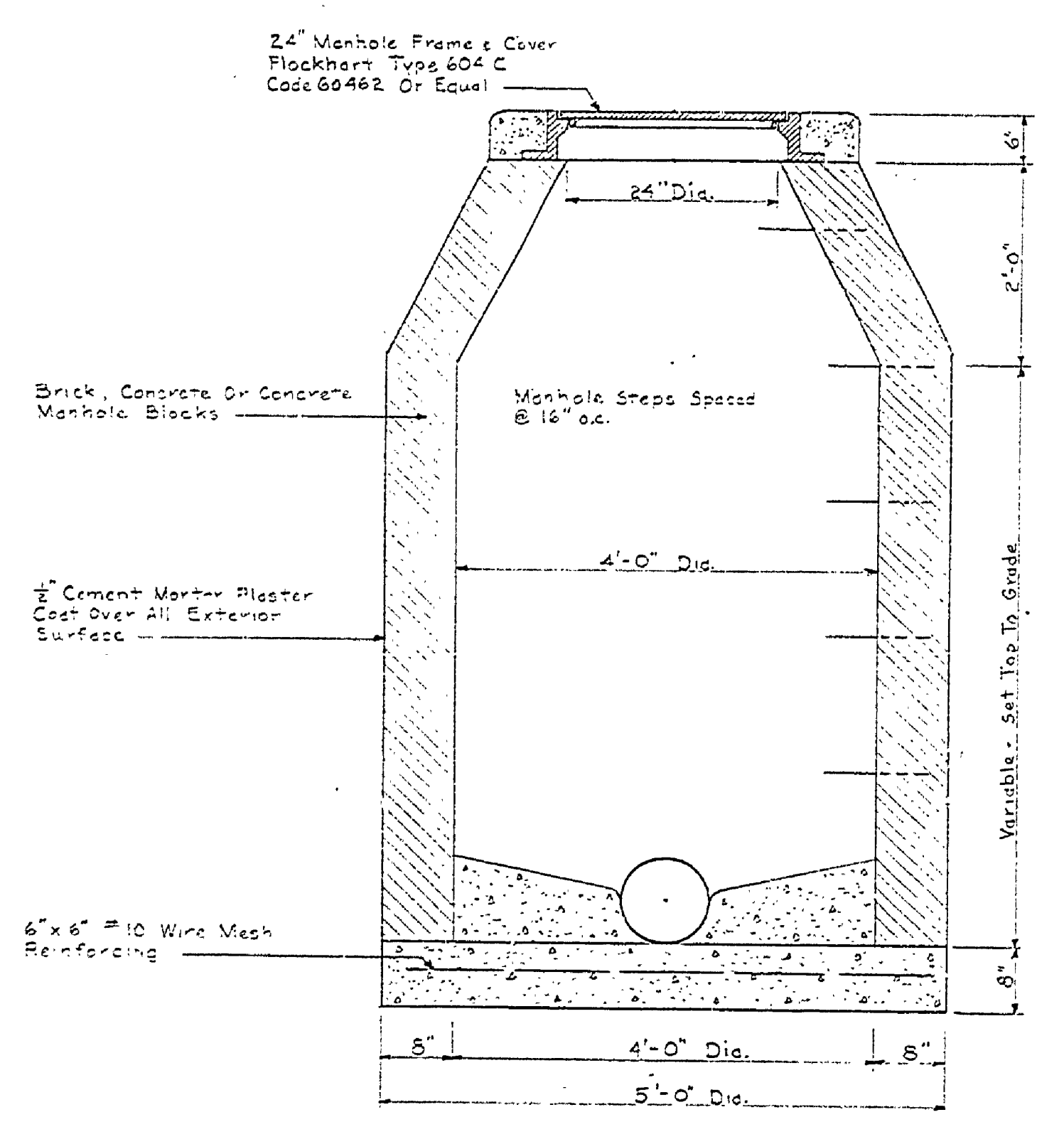


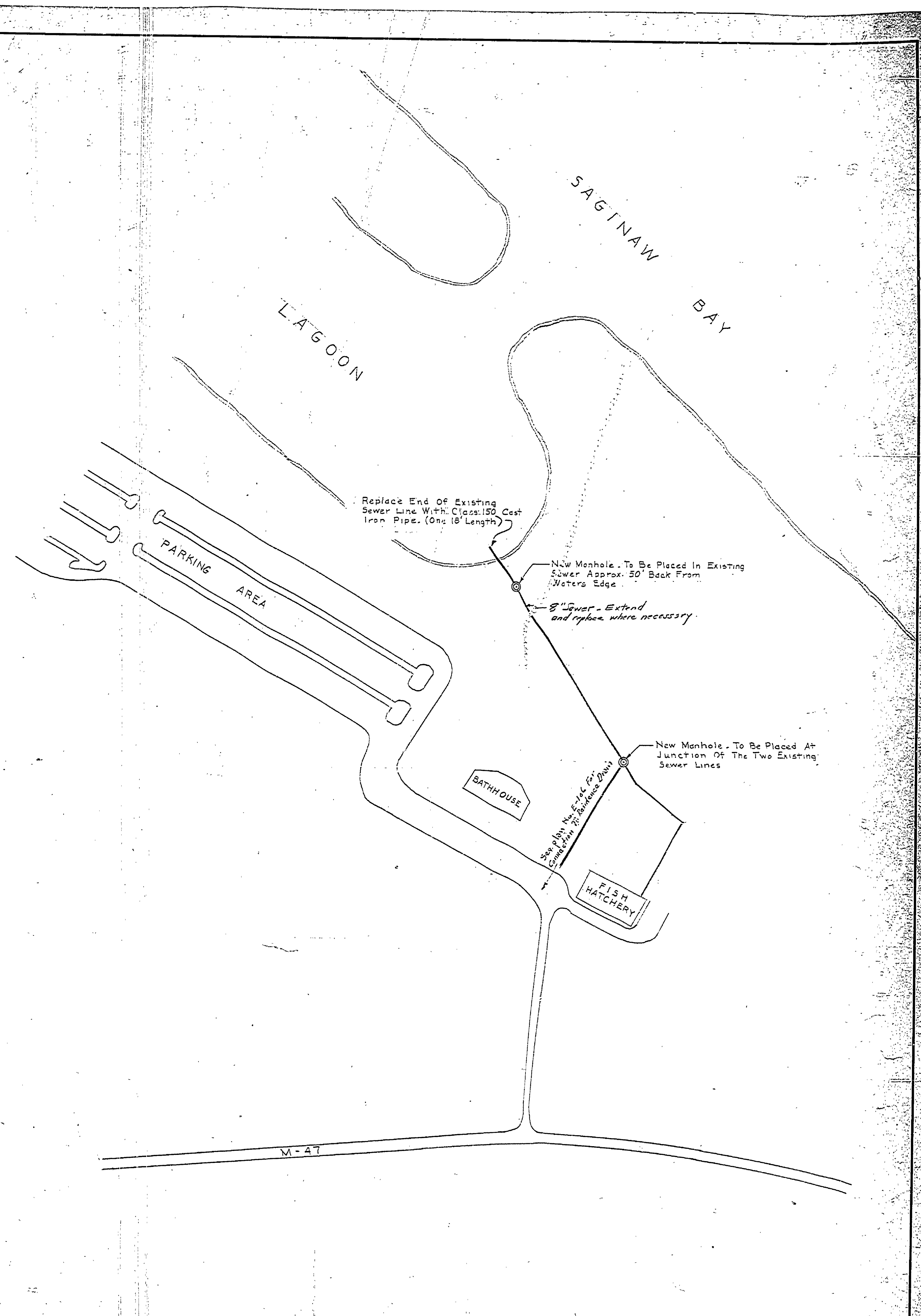
DRAWN BY		REVIEWED BY SECTIONS		APPROVED BY		REVISIONS	
NO.	DATE	NO.	DATE	NO.	DATE	NO.	DATE
B.H.G.		ARCHITECTURAL		[Signature]		1	
TRACED BY		ENGINEERING		ASSISTANT CHIEF IN CHARGE		2	
R.L.S.		LANDSCAPE		DATE: 4/19/54		3	
DATE						4	
9 April 1954						5	
						6	



PLAN SECTION



SECTION
TYPICAL MANHOLE DETAIL
Scale 1/2" = 1'-0"



PLOT PLAN
Scale 1" = 100'

MICHIGAN
DEPARTMENT OF CONSERVATION
PARKS AND RECREATION DIVISION

BAY CITY STATE PARK
ADDITIONS TO FISH HATCHERY STORM SEWER
Scale As Shown

SHEET
NO. 1
OF 1

PLAN NO.
E-113