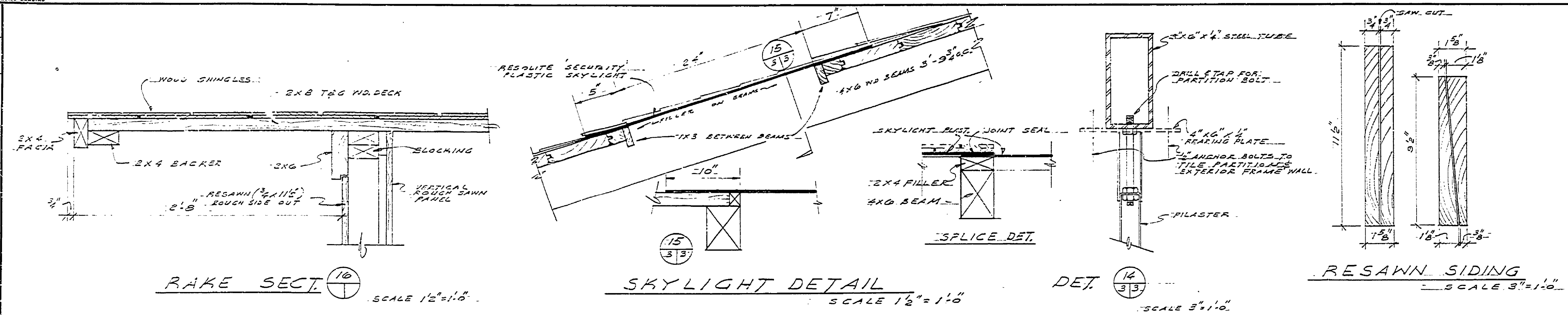
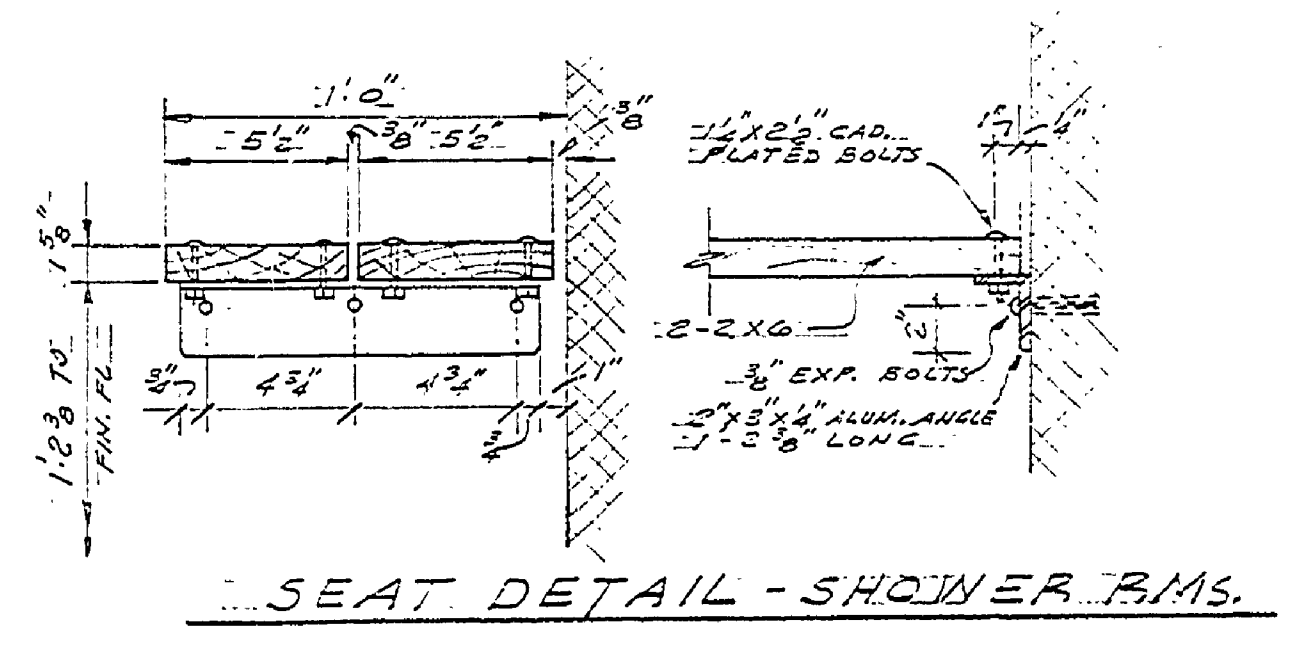
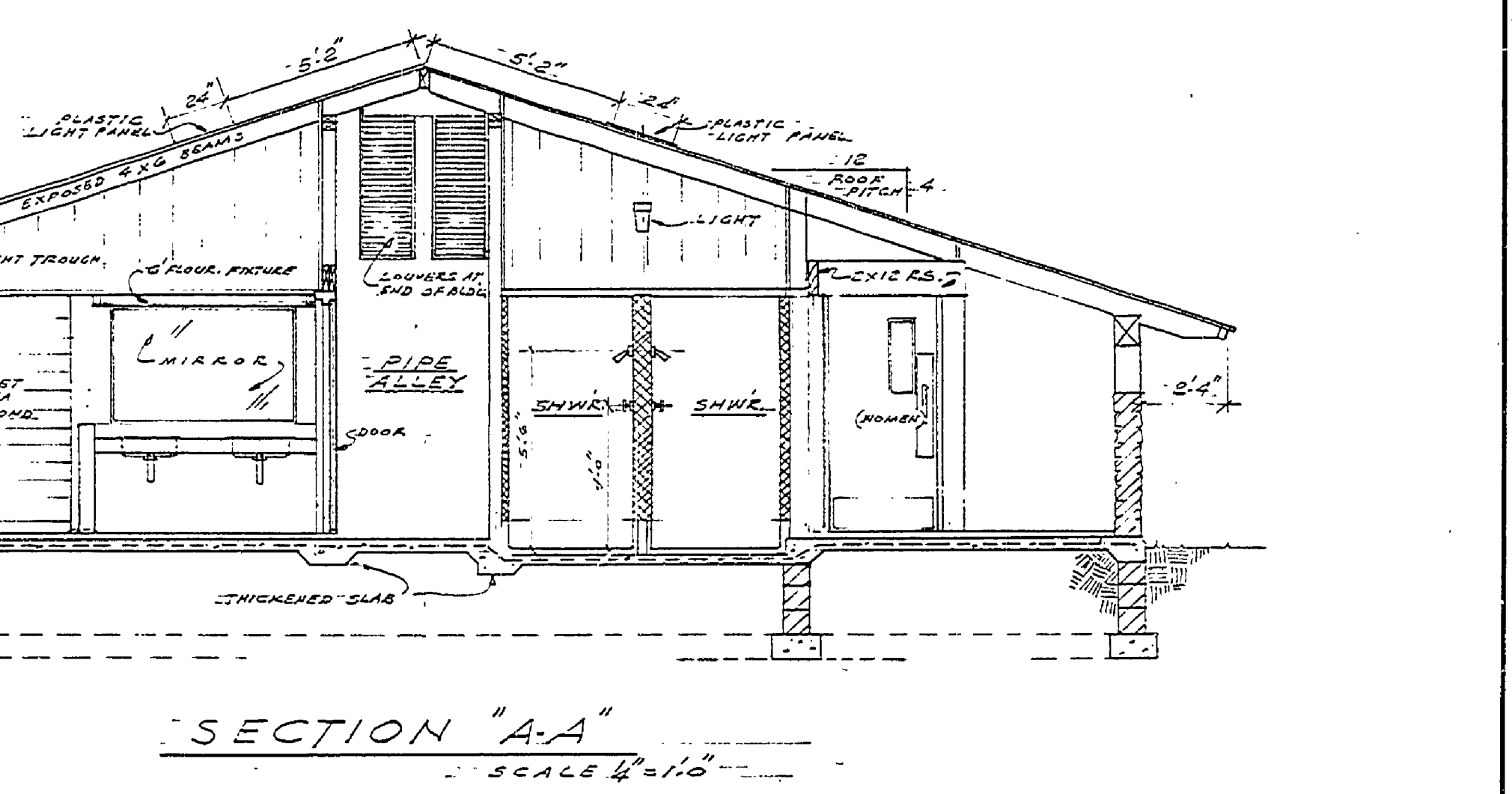
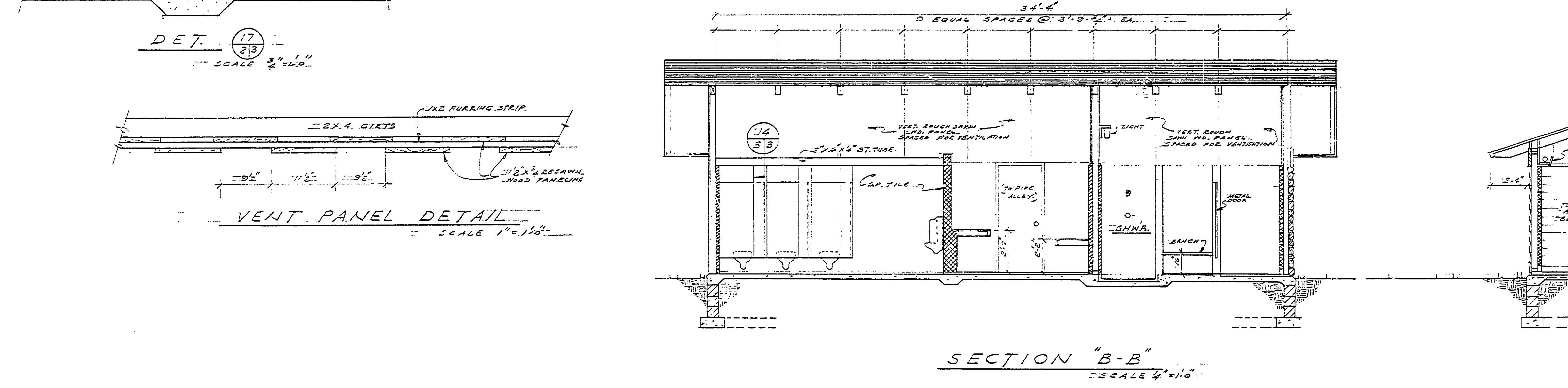
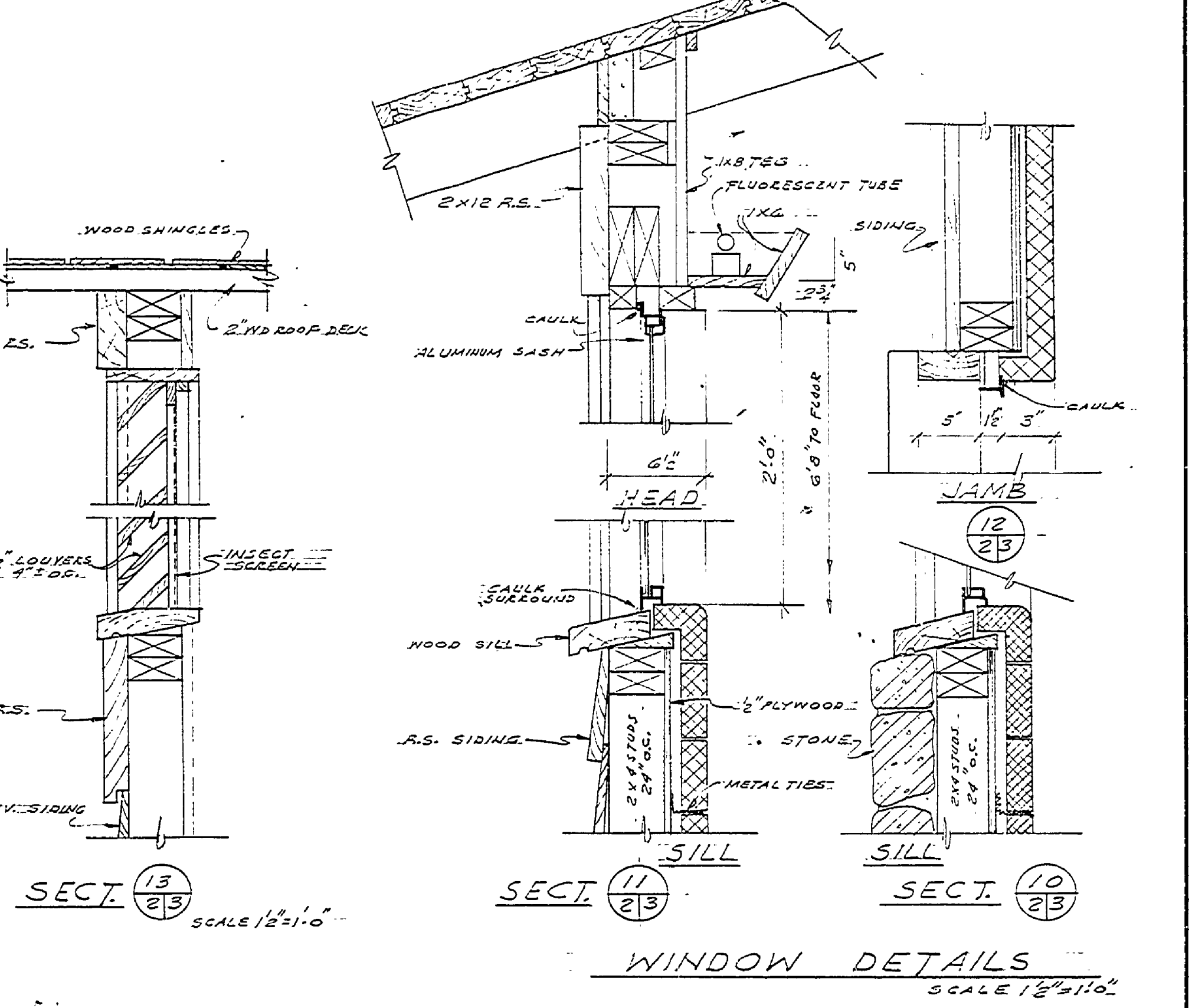
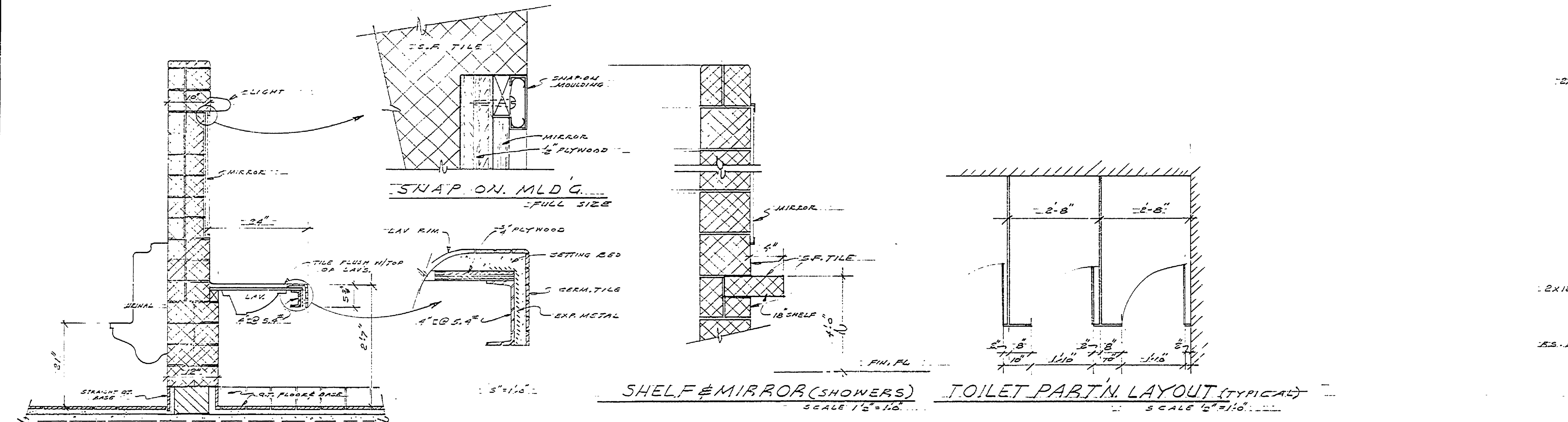


DESIGNED BY	W. H. G.	DATE	4-23-64	APPROVED		NO. DATE	1 1/27/64	BY	
DRAWN BY	O.D. APR. 64	DATE	4-23-64	REVIEWED		2			
CHECKED BY	A.H.C.	DATE	4-23-64	ARCHITECTURAL		3			
				ENGINEERING					
				LANDSCAPE					



ROOMS	ROOM FINISH SCHEDULE										REMARKS
	FLOOR	BASE	WALLS	CEILING	WOOD FIN.	PAINT					
TOILET ROOMS	0	0	0	0	0	0	0	0	0	0	
SHOWER ROOMS	0	0	0	0	0	0	0	0	0	0	
LAUNDRY ROOM	0	0	0	0	0	0	0	0	0	0	
PIPE ALLEY	0	0	0	0	0	0	0	0	0	0	



MICHIGAN
DEPARTMENT OF CONSERVATION
PARKS AND RECREATION DIVISION

BURT LAKE STATE PARK
TOILET & SHOWER BLDG.

SHEET NO. 3 OF 4
PLAN NO. A-106