

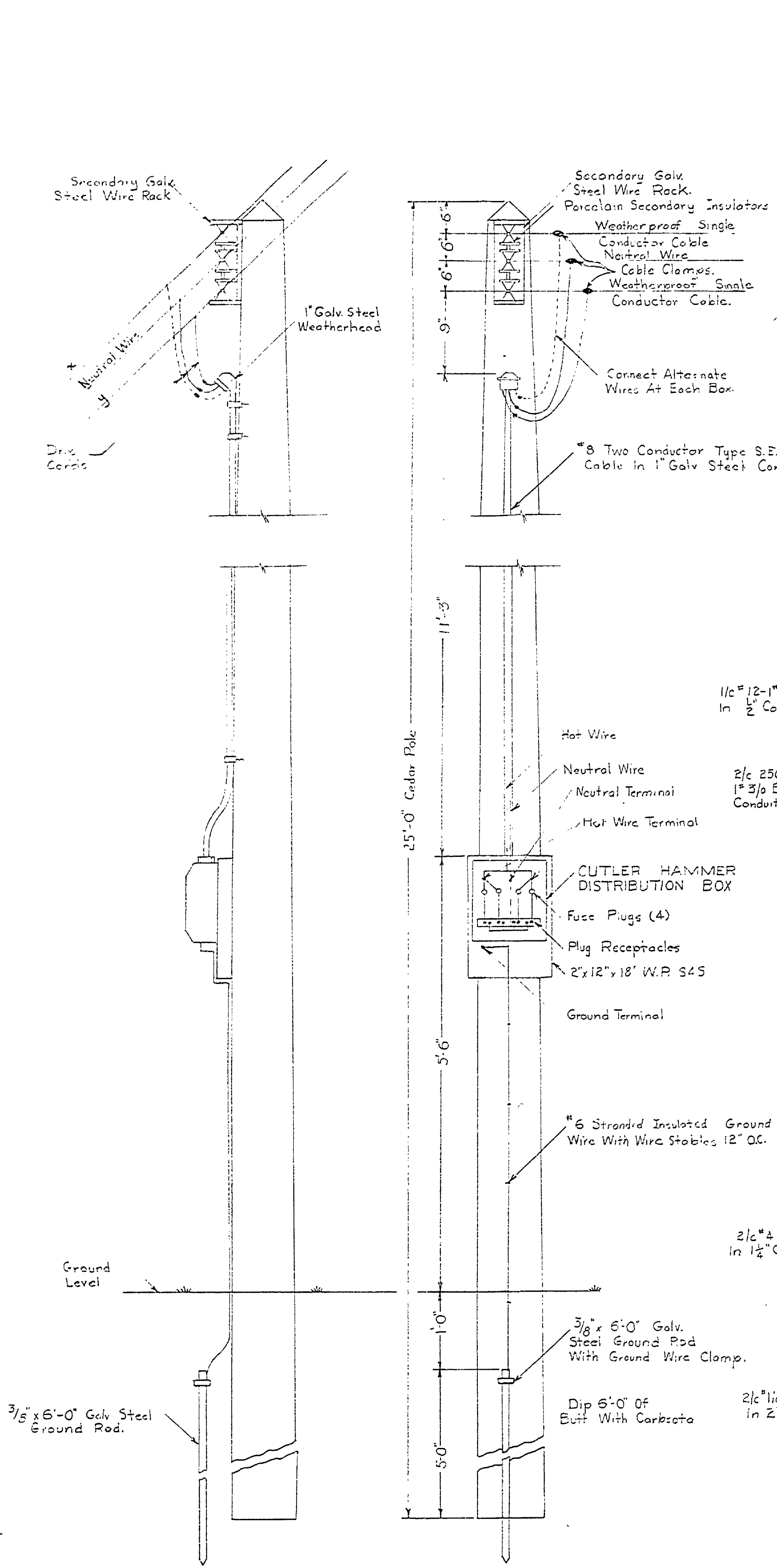
REVISIONS	NO.	DATE	BY
	1		
	2		
	3		
	4		
	5		
	6		

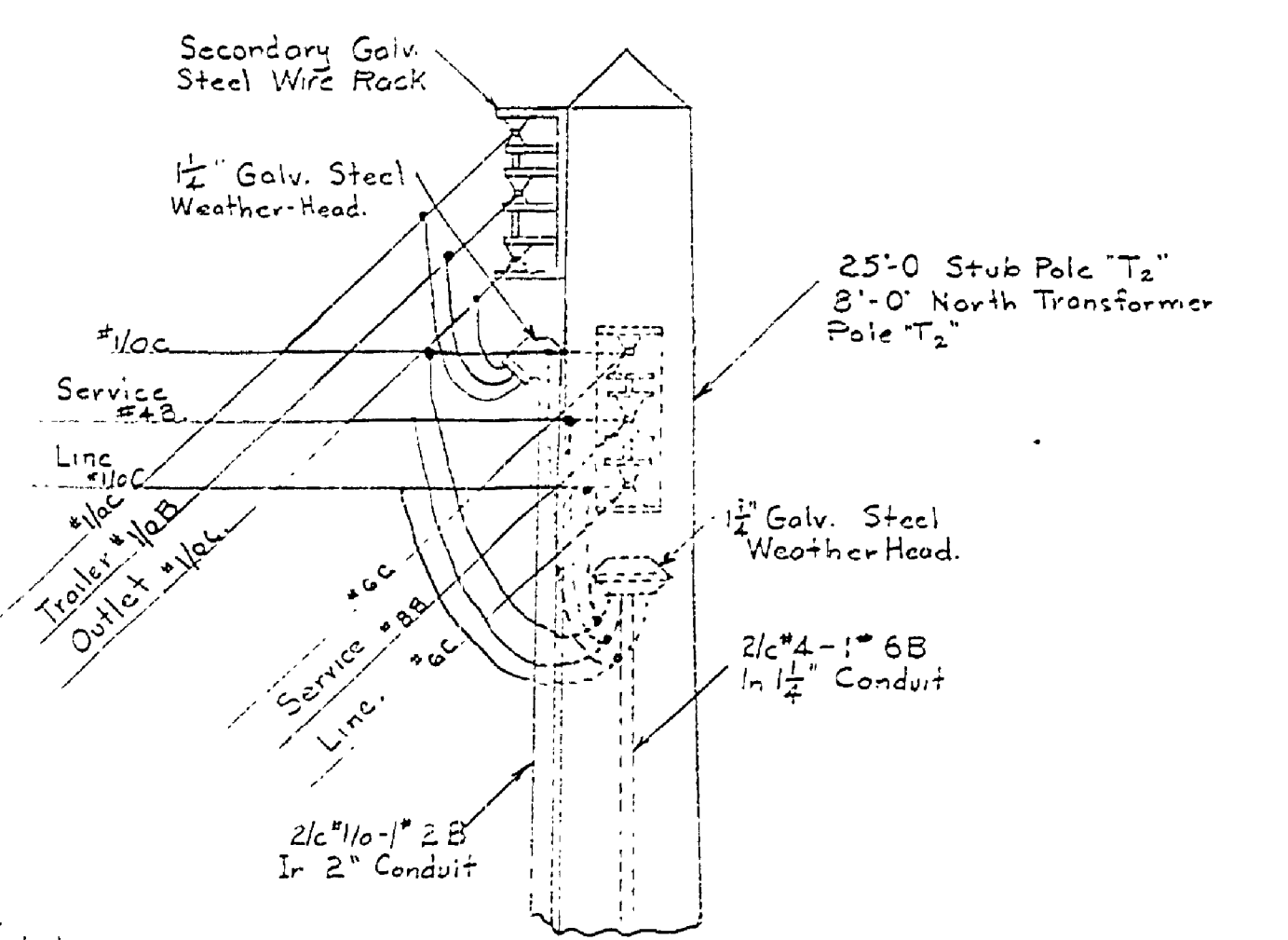
APPROVED BY	DATE	REVIEWED BY SECTIONS
<i>[Signature]</i>		ARCHITECTURAL
ASSISTANT CHIEF IN CHARGE	DATE	ENGINEERING
<i>[Signature]</i>		LANDSCAPE
OF DESIGN		

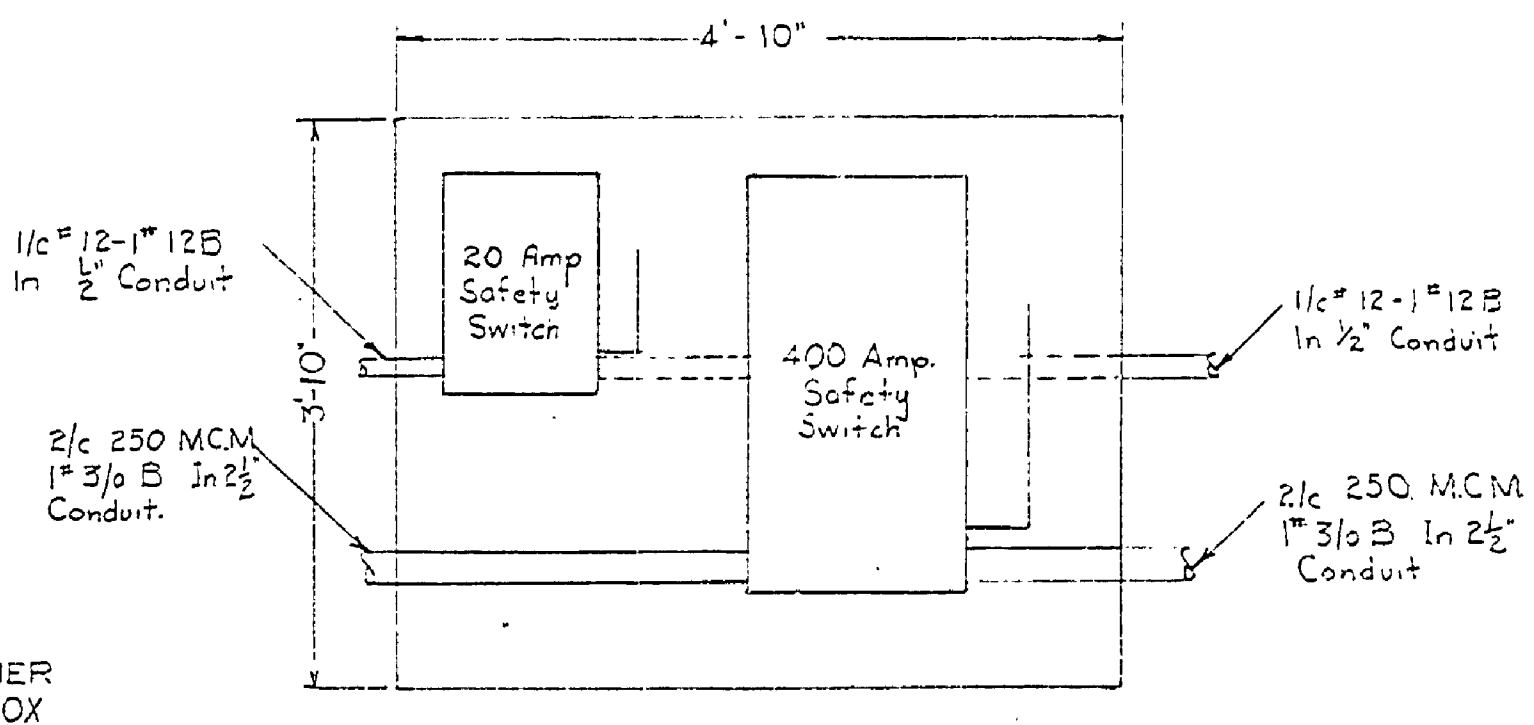
DRAWN BY	DATE
<i>[Signature]</i>	4-5-56
CHECKED BY	DATE
<i>[Signature]</i>	
TRACED BY	DATE
<i>[Signature]</i>	



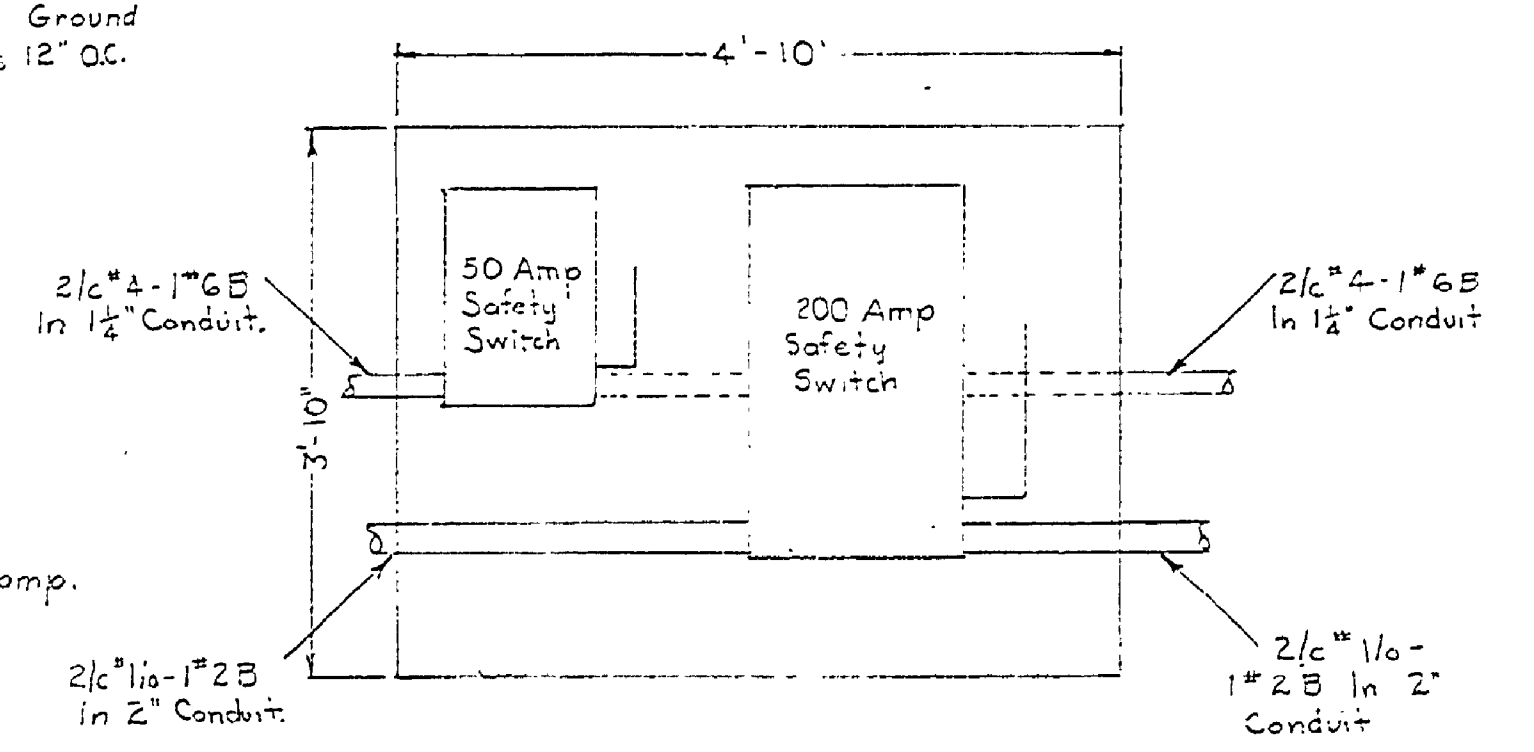
SIDE VIEW FRONT VIEW  
OUTLET POLE BOX DETAILS  
SCALE 1"=1'-0"



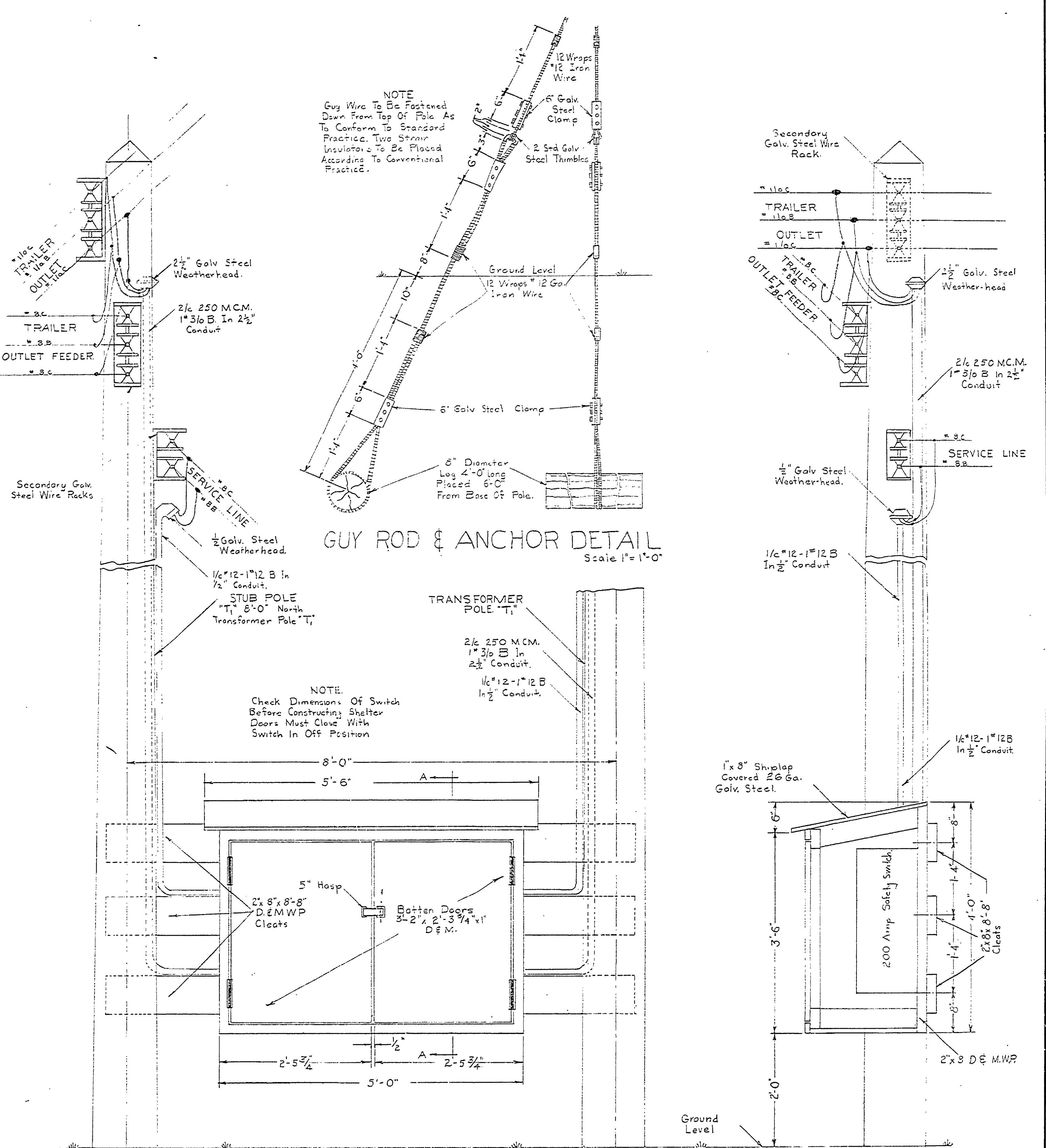
25'-0" STUB T<sub>1/2</sub> POLE DETAILS  
Scale 3/4"=1'-0"



SWITCH & WIRE DIAGRAM DETAIL  
FOR EAST CAMP GROUNDS  
Scale 3/4"=1'-0"



SWITCH & WIRE DIAGRAM DETAIL  
FOR WEST CAMP GROUNDS  
Scale 3/4"=1'-0"



FRONT VIEW SECTION AA  
SWITCH & SWITCH SHELTER  
Scale 1"=1'-0"