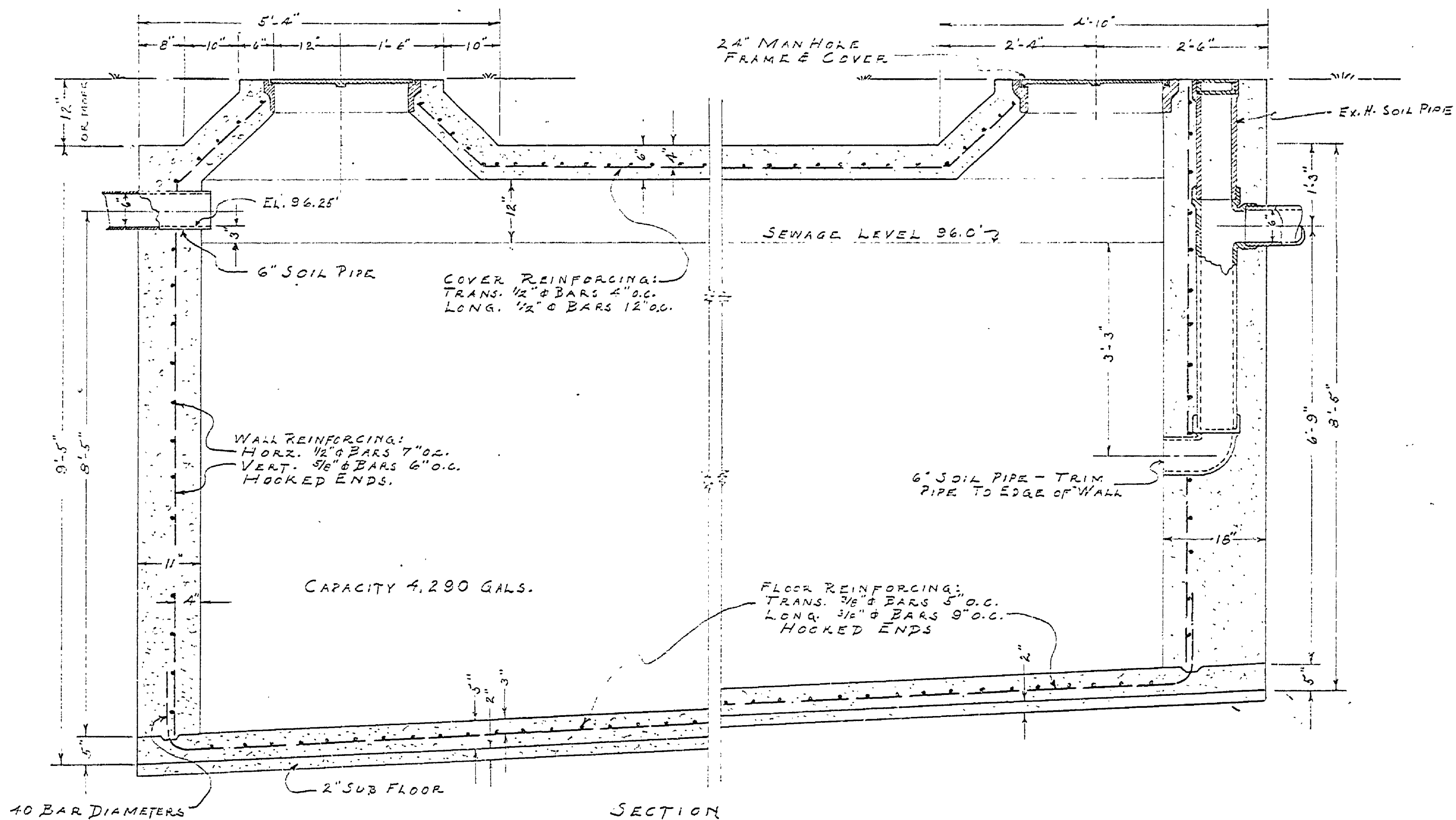
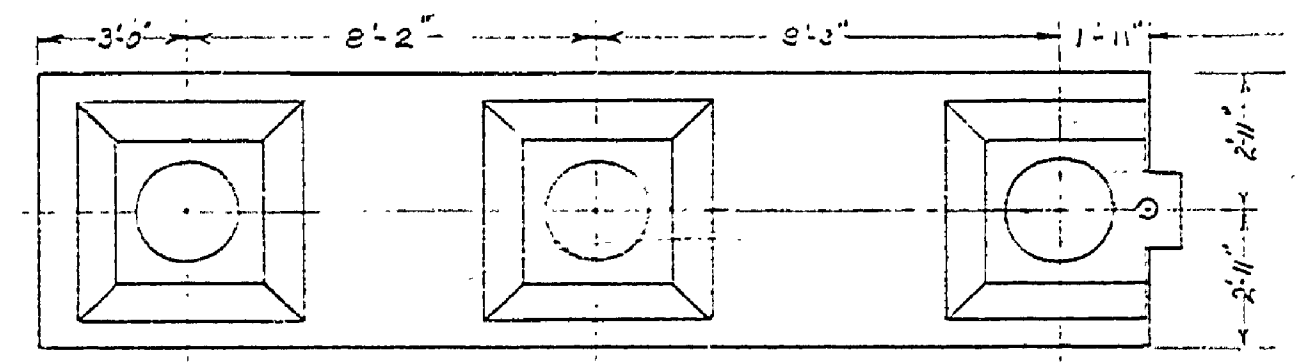


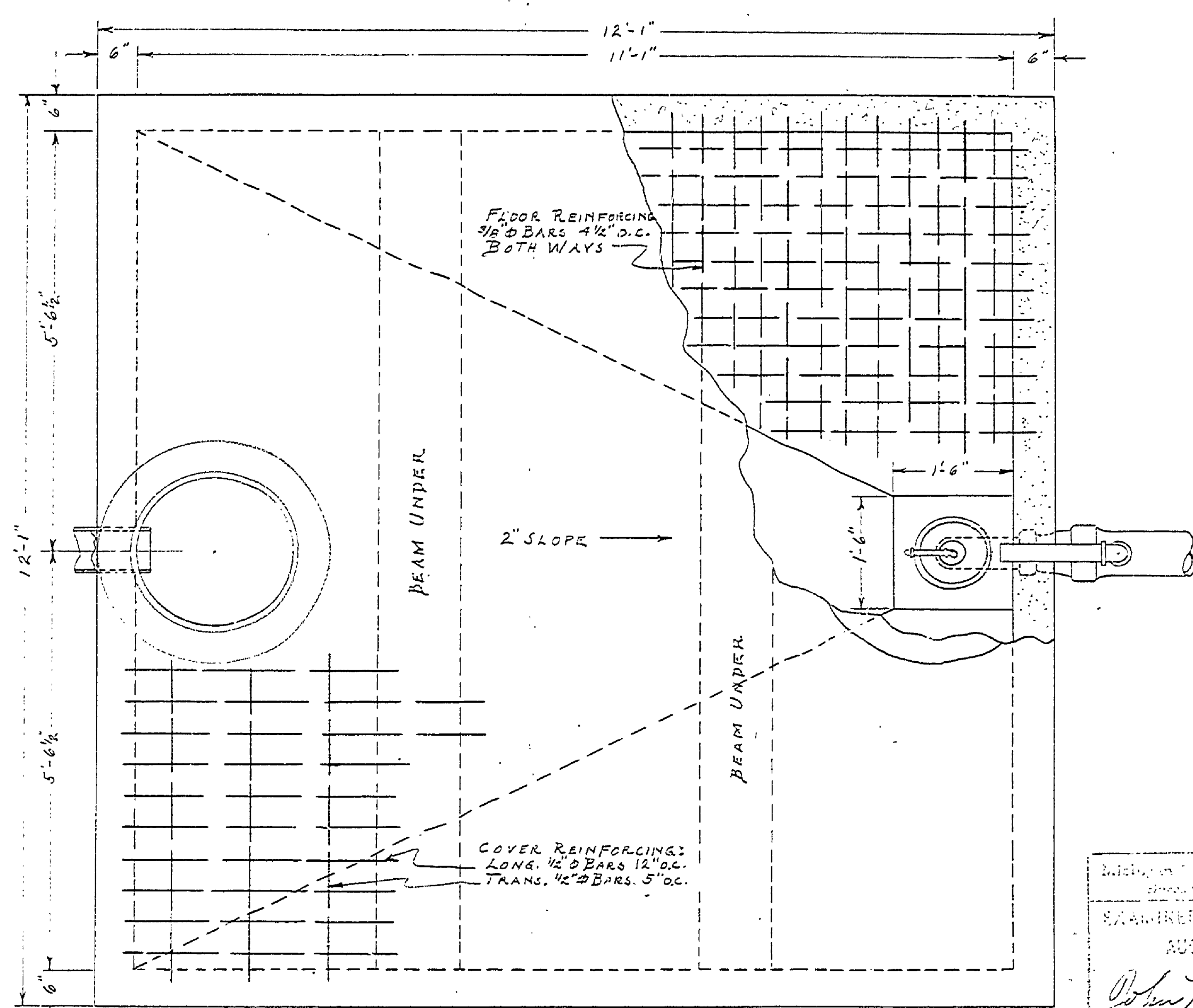
PLAN



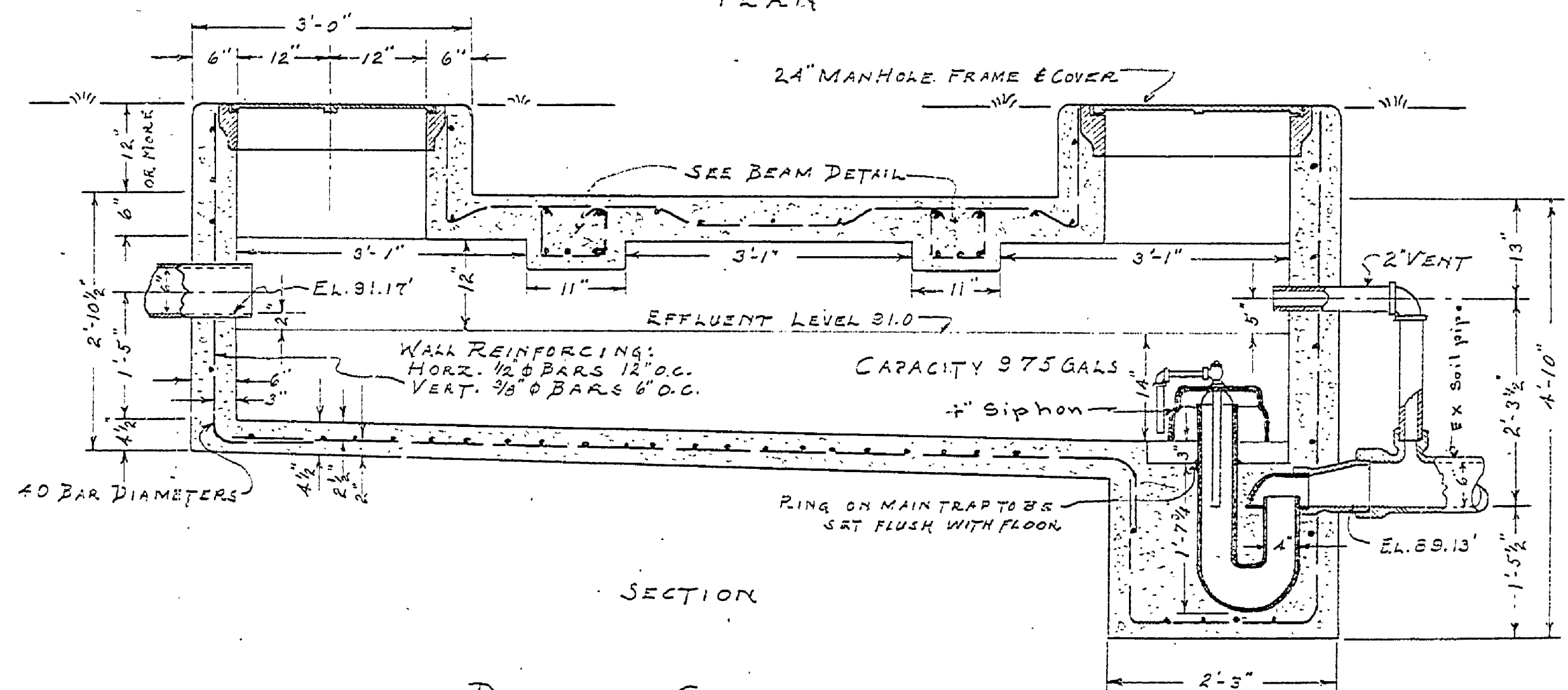
SECTION
SEPTIC TANK



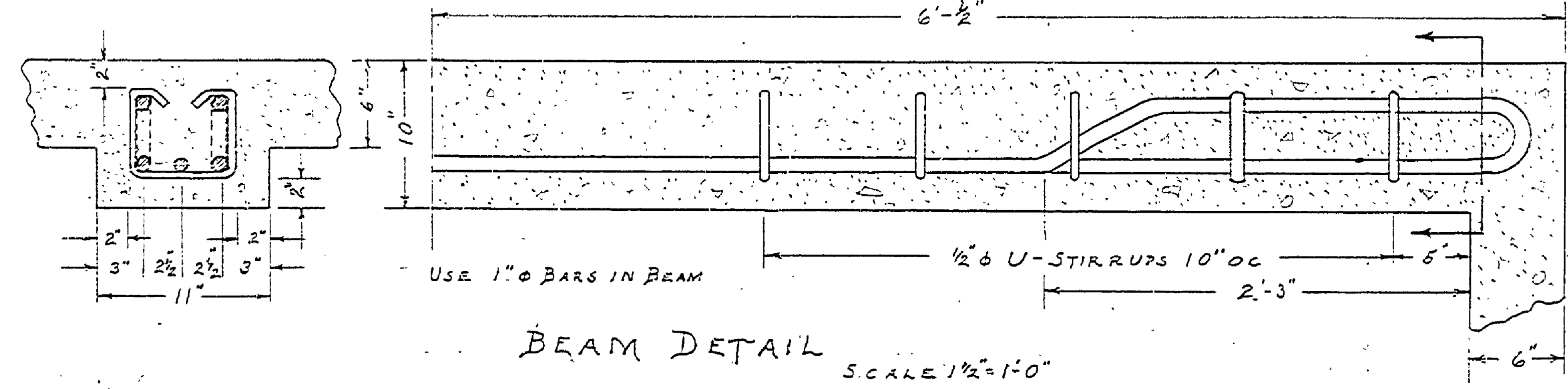
PLAN OF SEPTIC TANK COVER
SCALE 1/4"=1'-0"



PLAN



SECTION
DOSING CHAMBER



BEAM DETAIL
SCALE 1/2"=1'-0"

Michigan Department of Conservation
Burt Lake State Park
Examined and Approved
AUG 28 1941
Robert M. Reilly
CONSULTING ENGINEER

CONCRETE SPECIFICATIONS
THE CONCRETE MIX SHALL CONSIST OF 1 SACK OF CEMENT, 2.25 CU. FT. OF FINE AGGREGATE, 4 CU. FT. OF COARSE AGGREGATE, AND ENOUGH WATER TO MAKE A WORKABLE MIX, BUT NOT TO EXCEED 6 GALLONS; OR 1 SACK OF CEMENT, SWIFT OF BANK RUN AGGREGATE, AND ENOUGH WATER TO MAKE A WORKABLE MIX, BUT NOT TO EXCEED 6 GALLONS.
THE AGGREGATE SHALL BE CLEAN, FREE FROM SILT AND CLAY, AND SHALL ALL PASS A 1" SCREEN. TIME OF MIXING SHALL NOT BE LESS THAN 1 1/2 MINUTES.
THE CONCRETE SHALL BE PLACED IN THE FORMS IN HORIZONTAL LAYERS, NOT OVER TWO IN. THICK AND THOROUGHLY SPADED ALONG THE FORMS AND AROUND THE REINFORCING STEEL.

MICHIGAN DEPARTMENT OF CONSERVATION UNITED STATES DEPARTMENT OF THE INTERIOR NATIONAL PARK SERVICE COOPERATING		
DRAWN BY: E.J.R.	BURT LAKE STATE PARK - DISPOSAL SYSTEM	PLAN NO. 2 OF 3
DESIGNED BY:	WEST CAMP GROUND TOILET BLDG. NO. 1	SCALE AS SHOWN
CHECKED BY:		DATE 7-16-41
PREPARED & APPROVED BY: <i>M. Jones</i>	CHIEF STATE PARKS DIVISION	DATE 8-26-41
APPROVED BY: ENGINEER		DATE