

DATE	BY	REVISIONS
		4
		5
		6

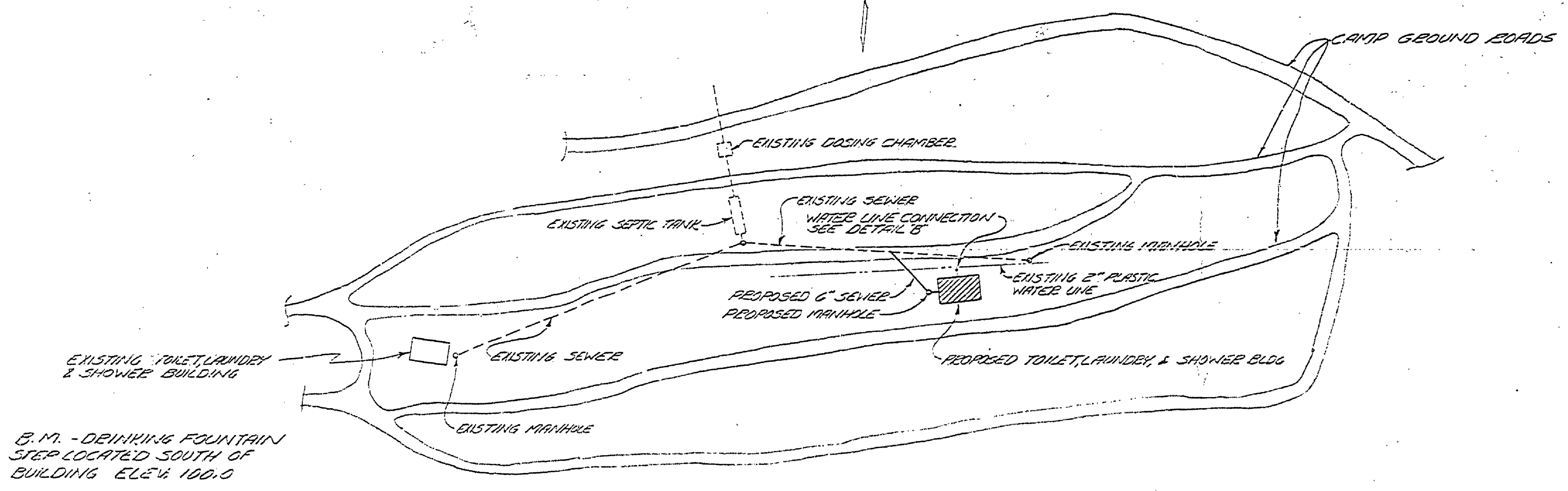
NO.	DATE	BY
1		
2		
3		

APPROVED BY	DATE	REVIEWED BY SECTIONS
<i>A. C. Mc...</i>	2-8-57	ARCHITECTURAL
ASSISTANT CHIEF IN CHARGE	2-8-57	ENGINEERING
OF DESIGN	2-8-57	LANDSCAPE

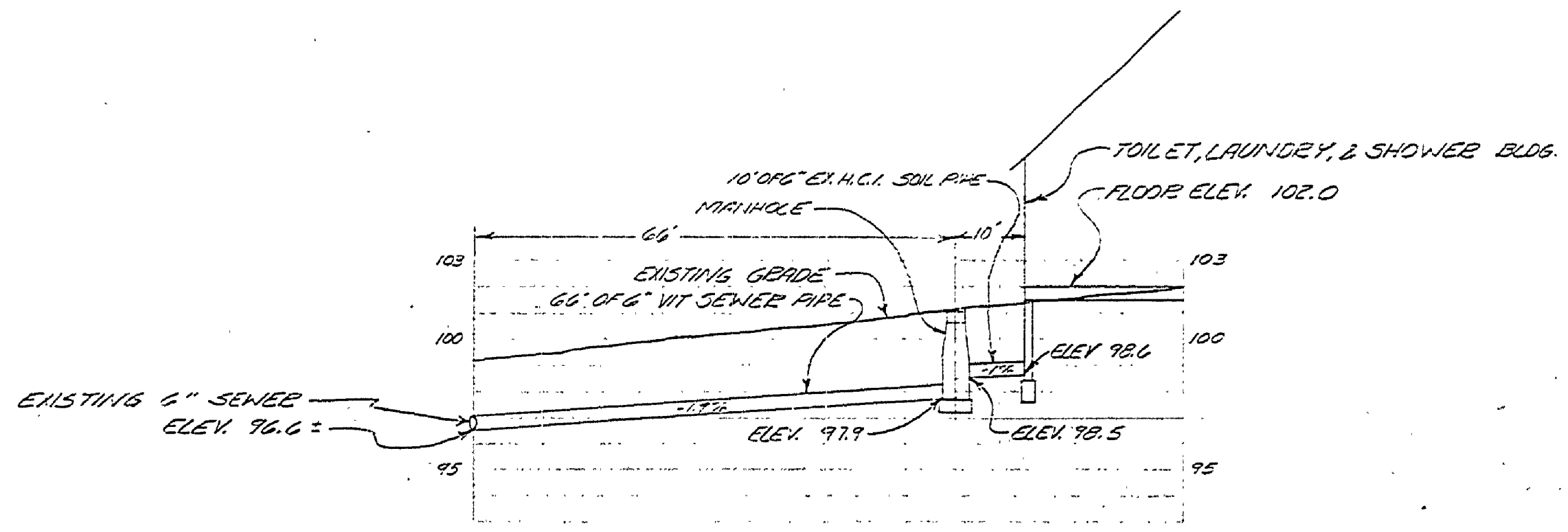
  

DRAWN BY	CHECKED BY	DATE
<i>E. J. F.</i>	<i>E. J. F.</i>	2-8-57

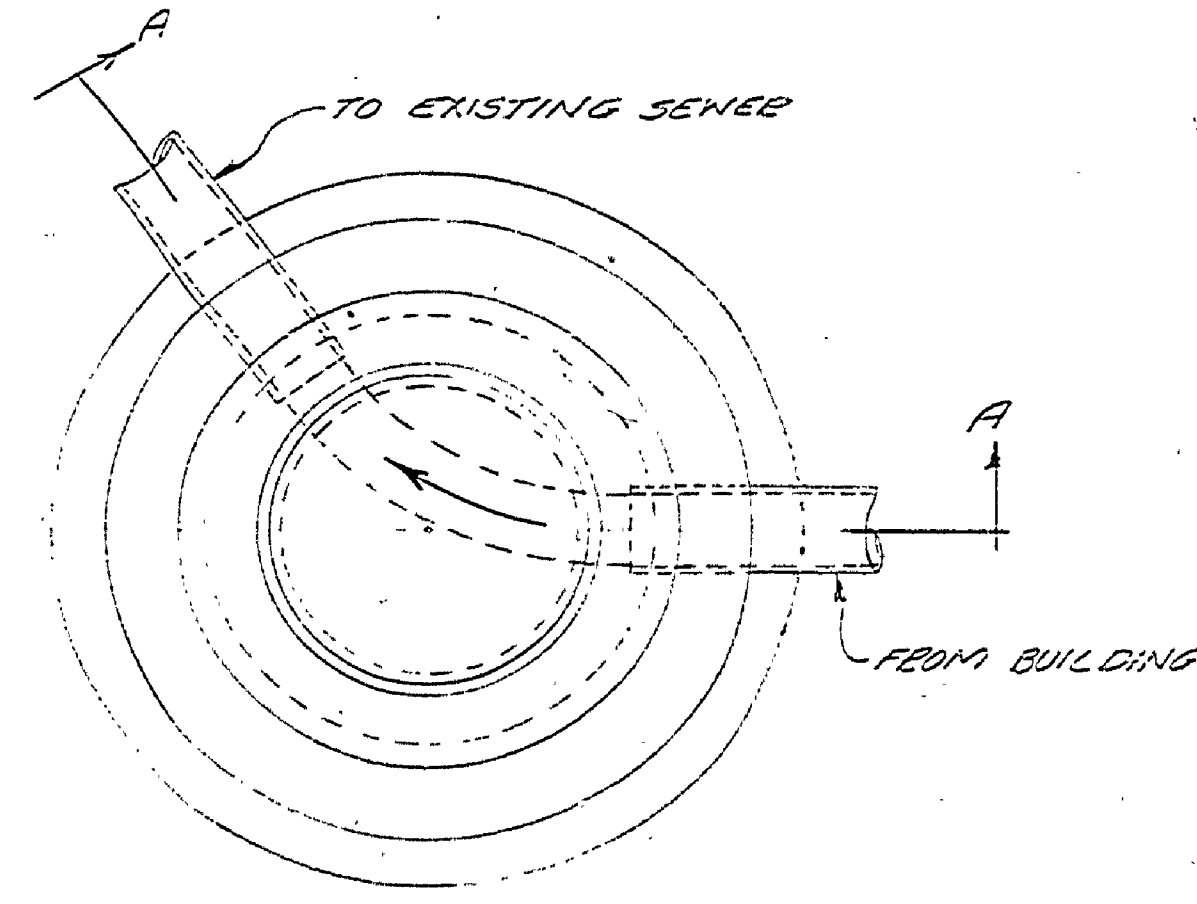


B.M. - DEPIKING FOUNTAIN  
STEP LOCATED SOUTH OF  
BUILDING ELEV. 100.0

PLAN  
SCALE 1"=100'-0"



SEWER PROFILE  
SCALE VERT. 1"=5'-0"  
HORIZ. 1"=20'-0"



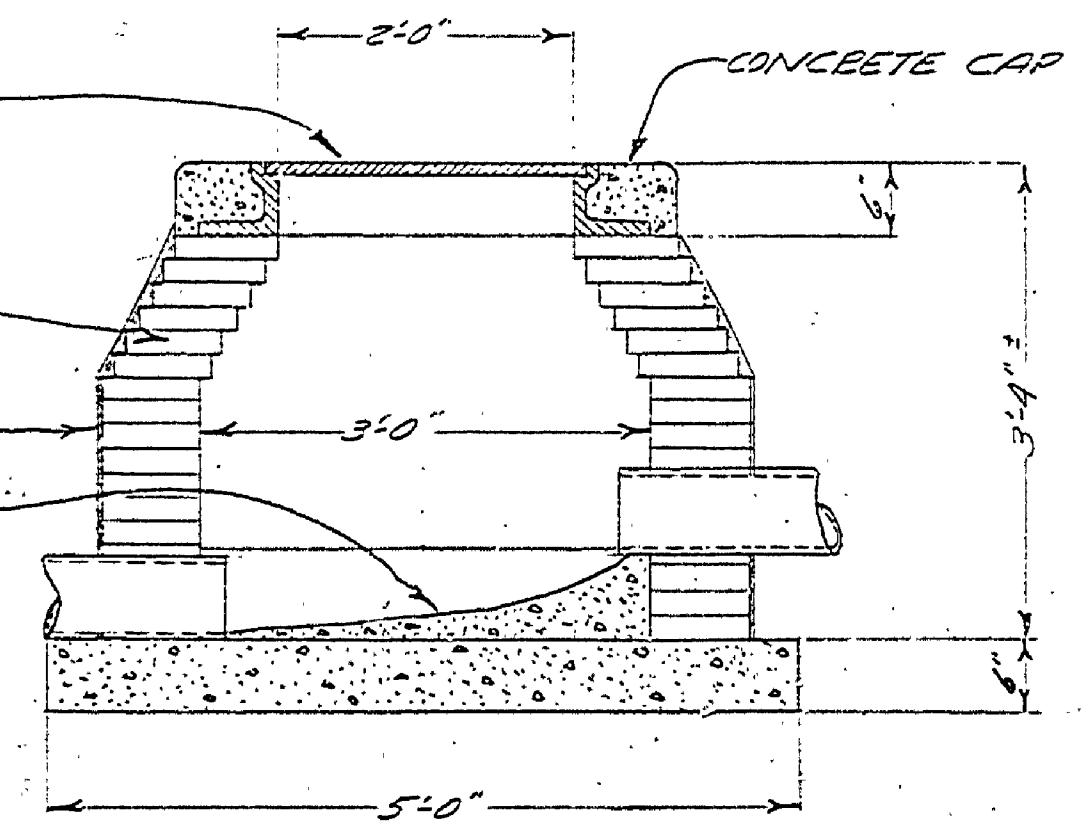
PLAN OF MAINHOLE

MEDIUM WEIGHT CAST IRON MAINHOLE FRAME &  
COVER TO BE FURNISHED BY OWNER

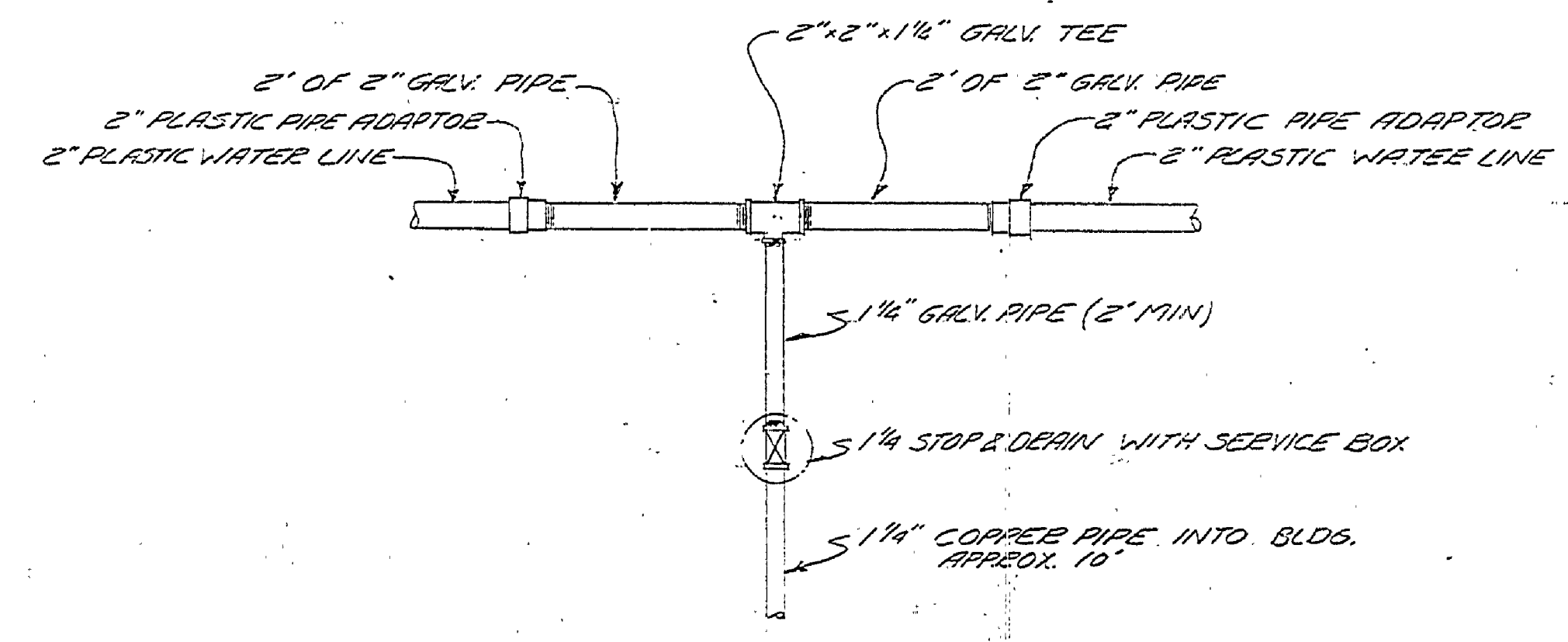
USE BRICK, CONCRETE BLOCK, OR CONCRETE  
CONSTRUCTION

APPLY 1/2" CEMENT PLASTER TO OUTSIDE OF  
MAINHOLE

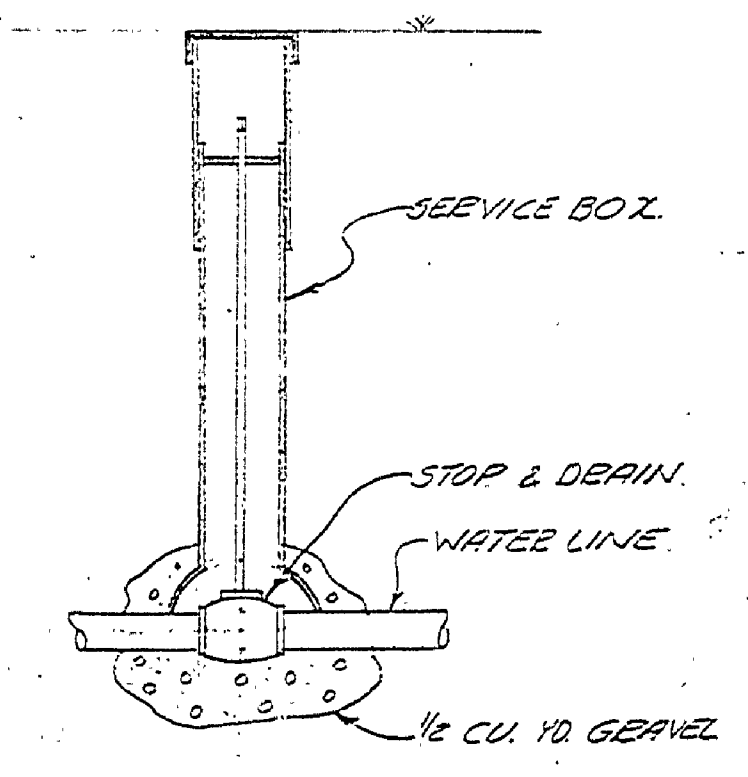
SLOPE CONCRETE FLOOR INSIDE MAINHOLE TO  
INSURE COMPLETE DRAINAGE AND FROM THEIR MAINHOLE



SECTION A-A  
SCALE 3/8"=1'-0"



DETAIL 'B' WATER MAIN  
CONNECTION  
NOT TO SCALE



STOP & DRAIN DETAIL  
NOT TO SCALE

MICHIGAN  
DEPARTMENT OF CONSERVATION  
PARKS AND RECREATION DIVISION

BURT LAKE STATE PARK  
TOILET, LAUNDEY, AND SHOWER BUILDING  
WATER & SEWER CONNECTION

PROJECT NO. 64-223-1

SHEET  
NO. 1  
OF 1

PLAN NO.  
E-110