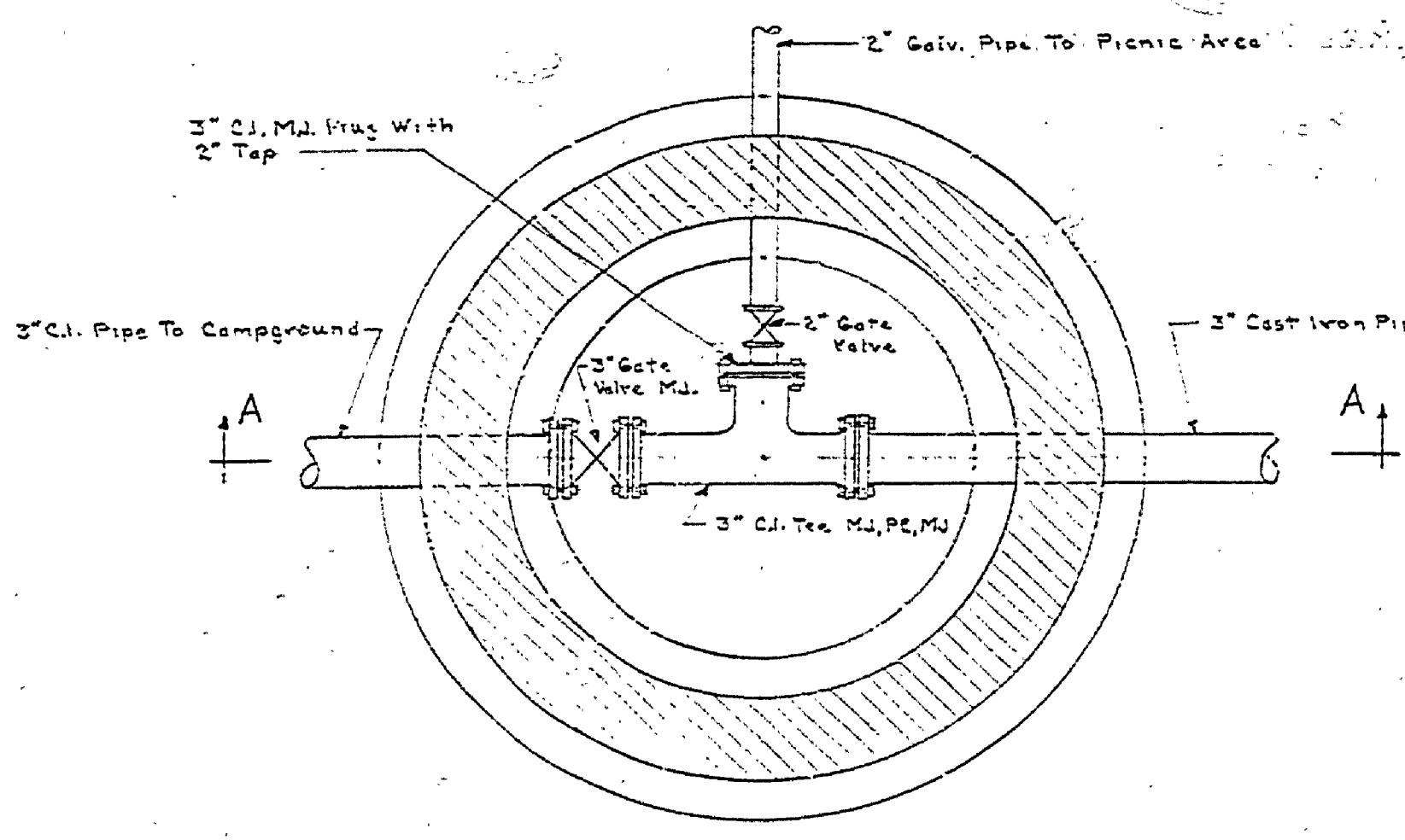
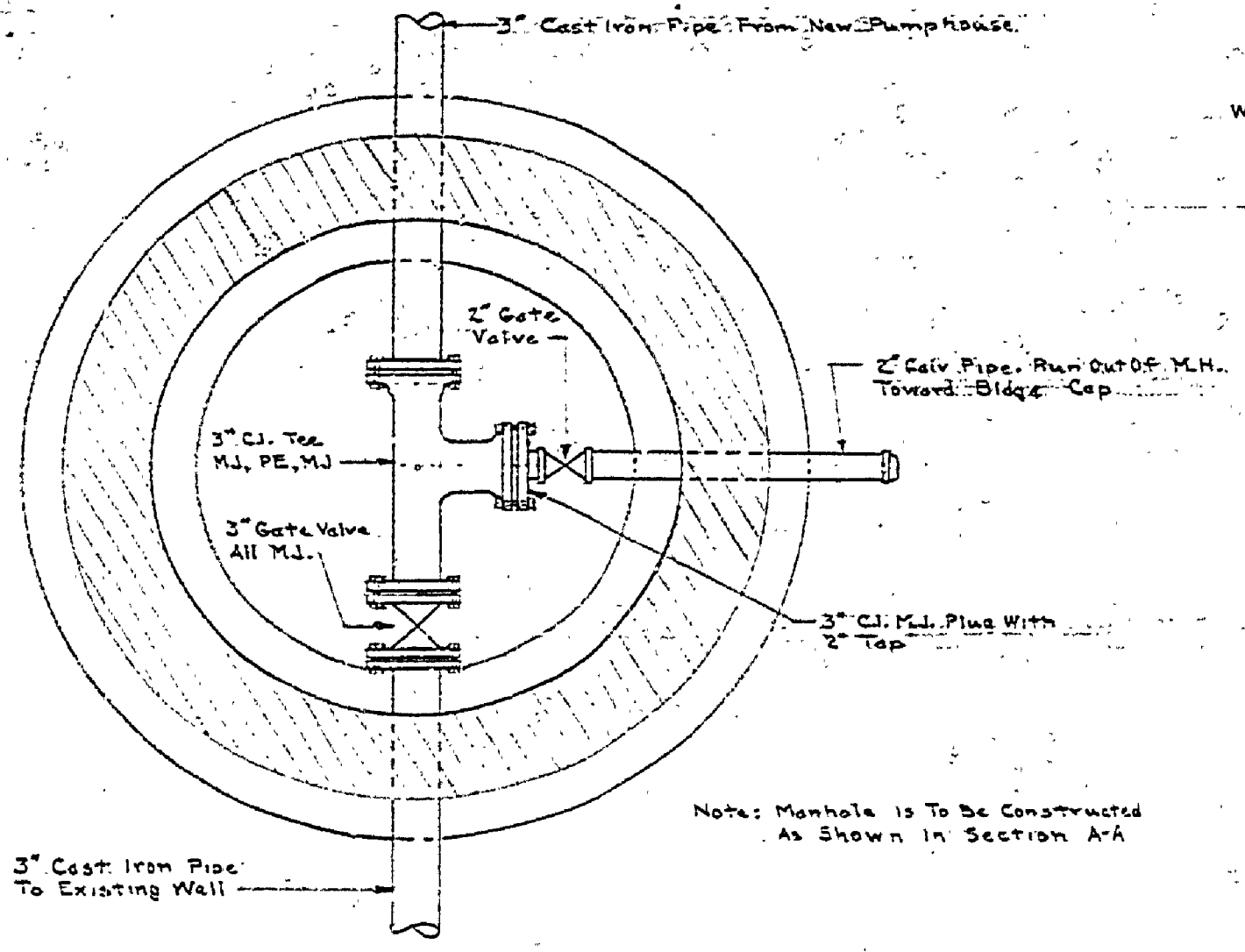


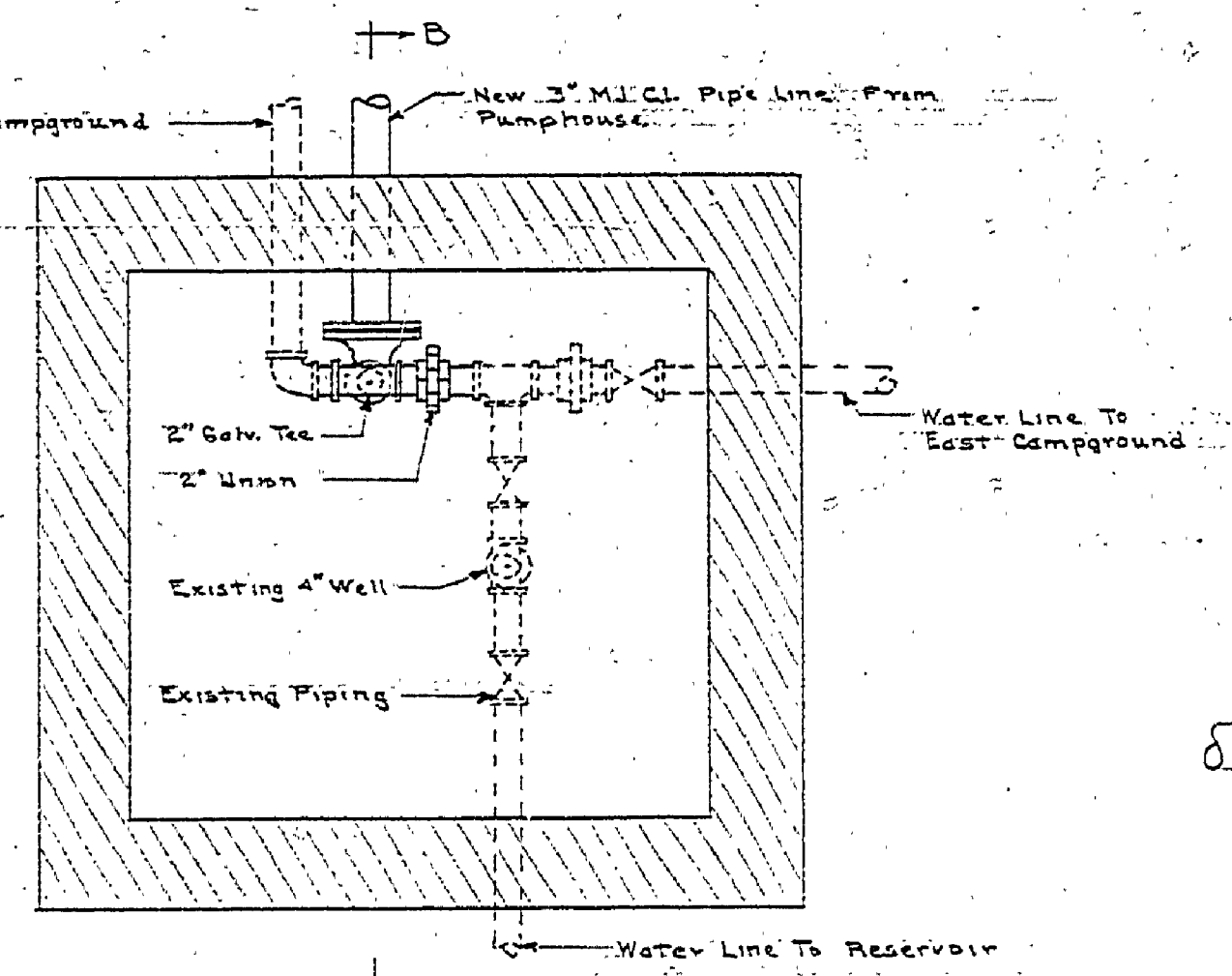
DESIGNED BY	DATE	REVIEWED	DATE	APPROVED	DATE	NO.	DATE	BY	REVISIONS
B.H.A.	31 Jan. 61	U.O.C.	3-1-61	<i>[Signature]</i>	1/6	1	1/6	PAJ	4
D.H.B.	31 Jan. 61	E.S.P.	2-4-61	<i>[Signature]</i>	2	2	2-4-61		5
E.J.P.	2-6-61	R.M.G.	2-6-61	<i>[Signature]</i>	3	3	2-21-61		6



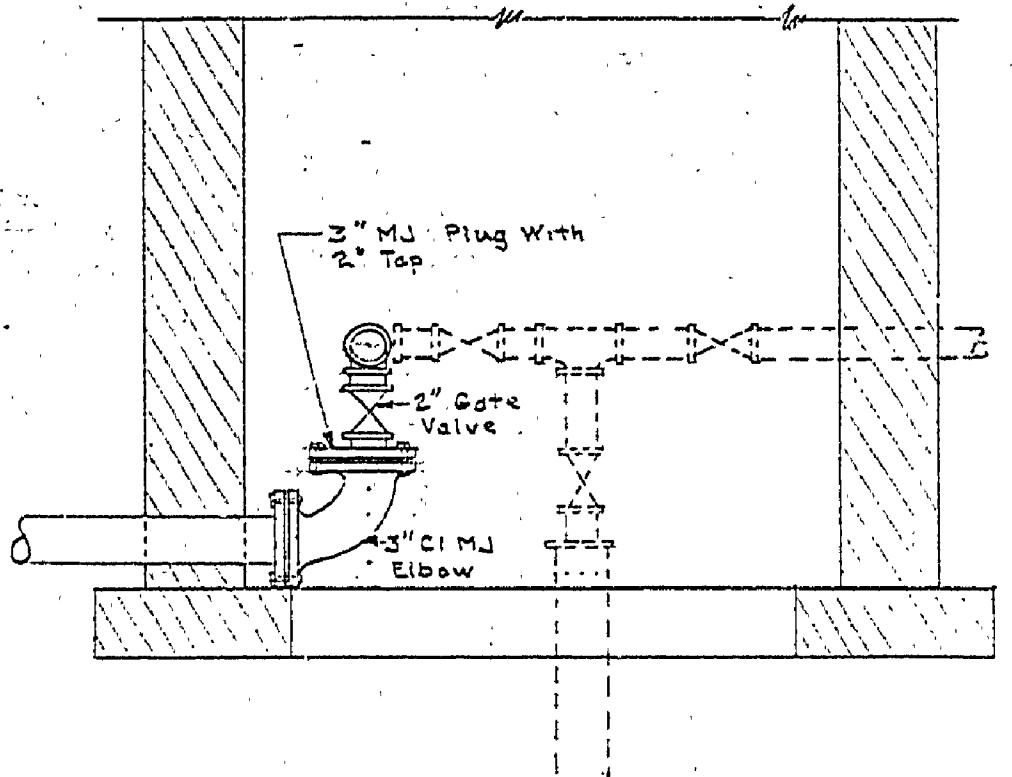
PLAN SECTION



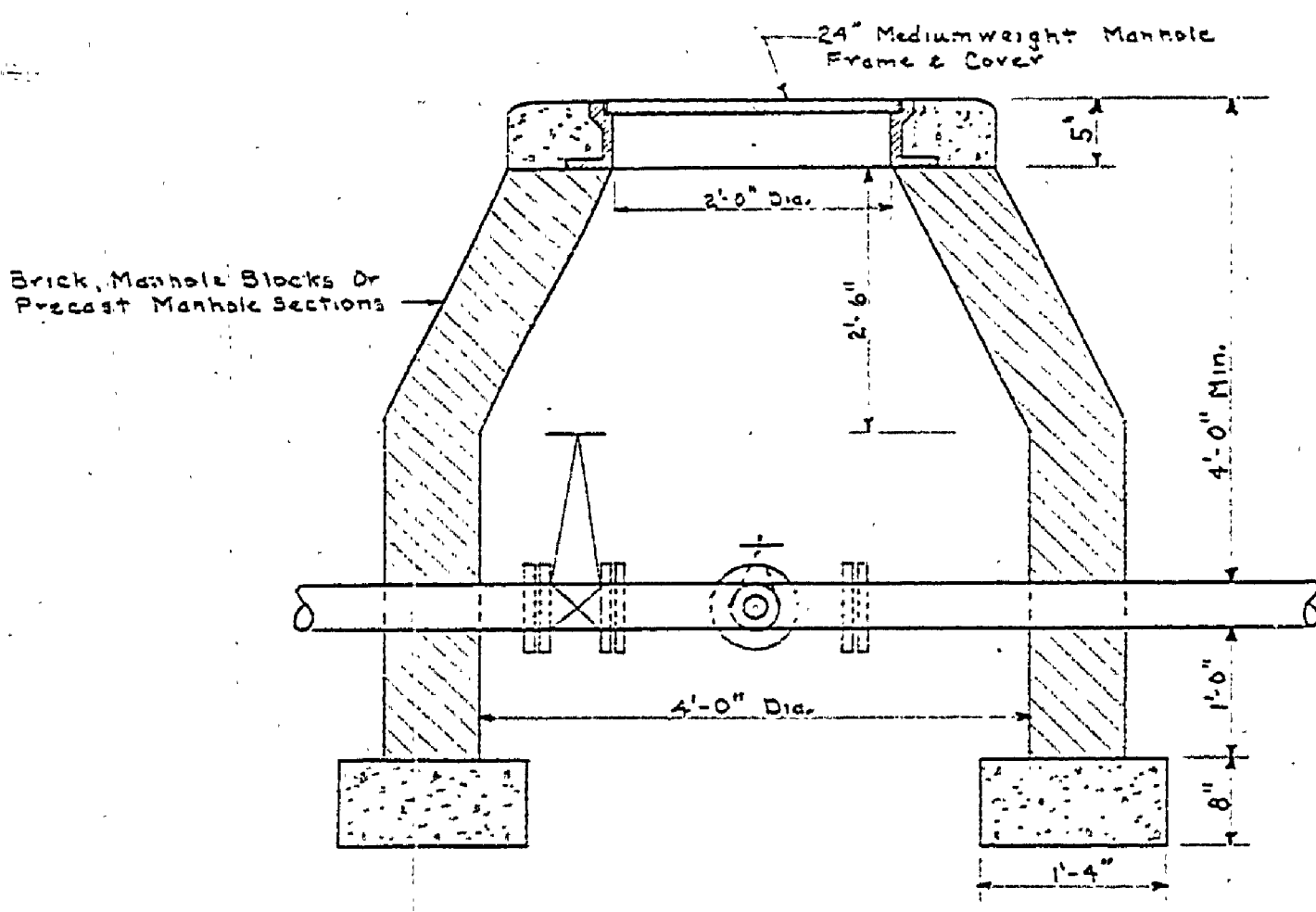
PLAN SECTION
DETAIL "B"



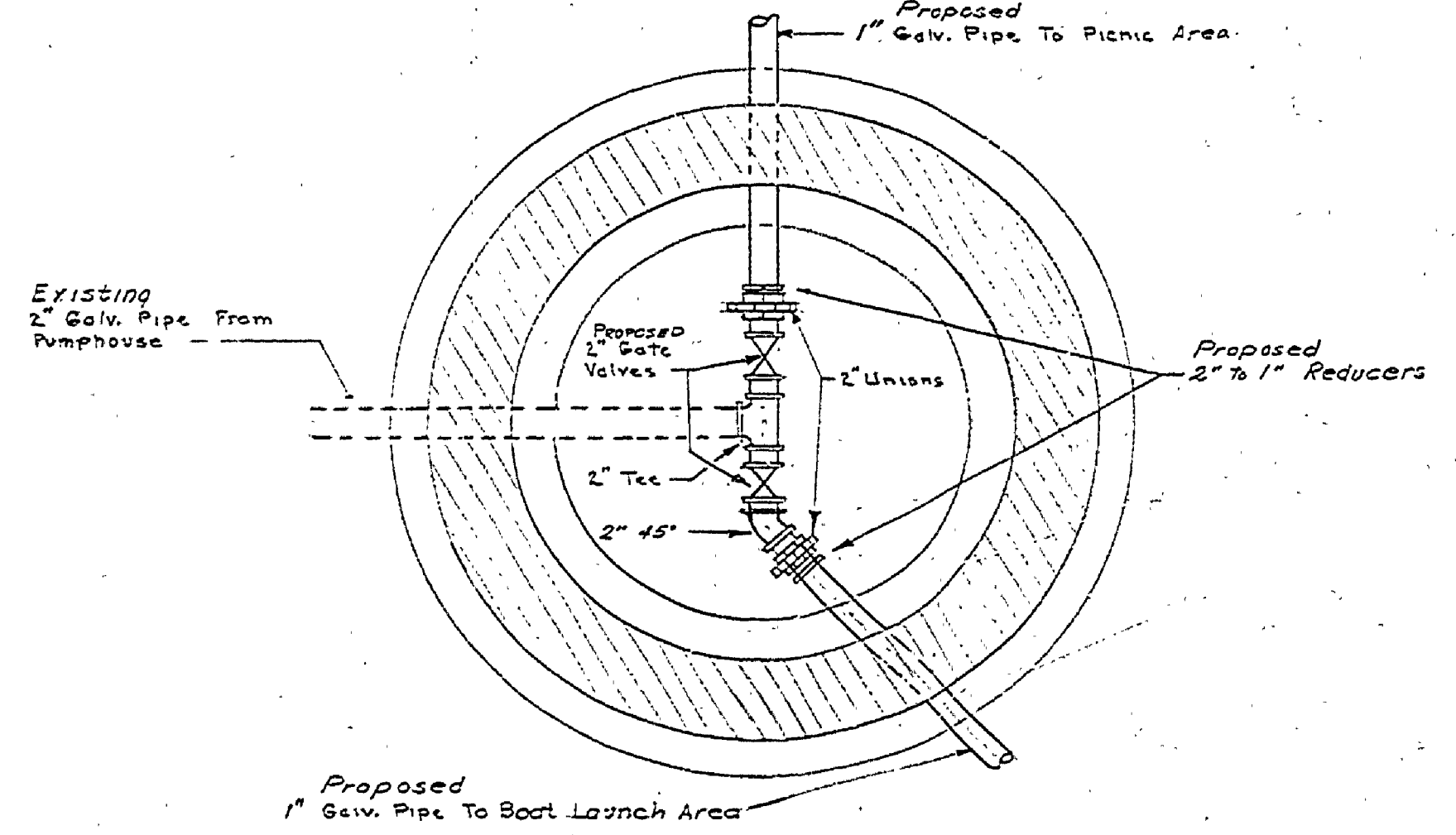
PLAN SECTION



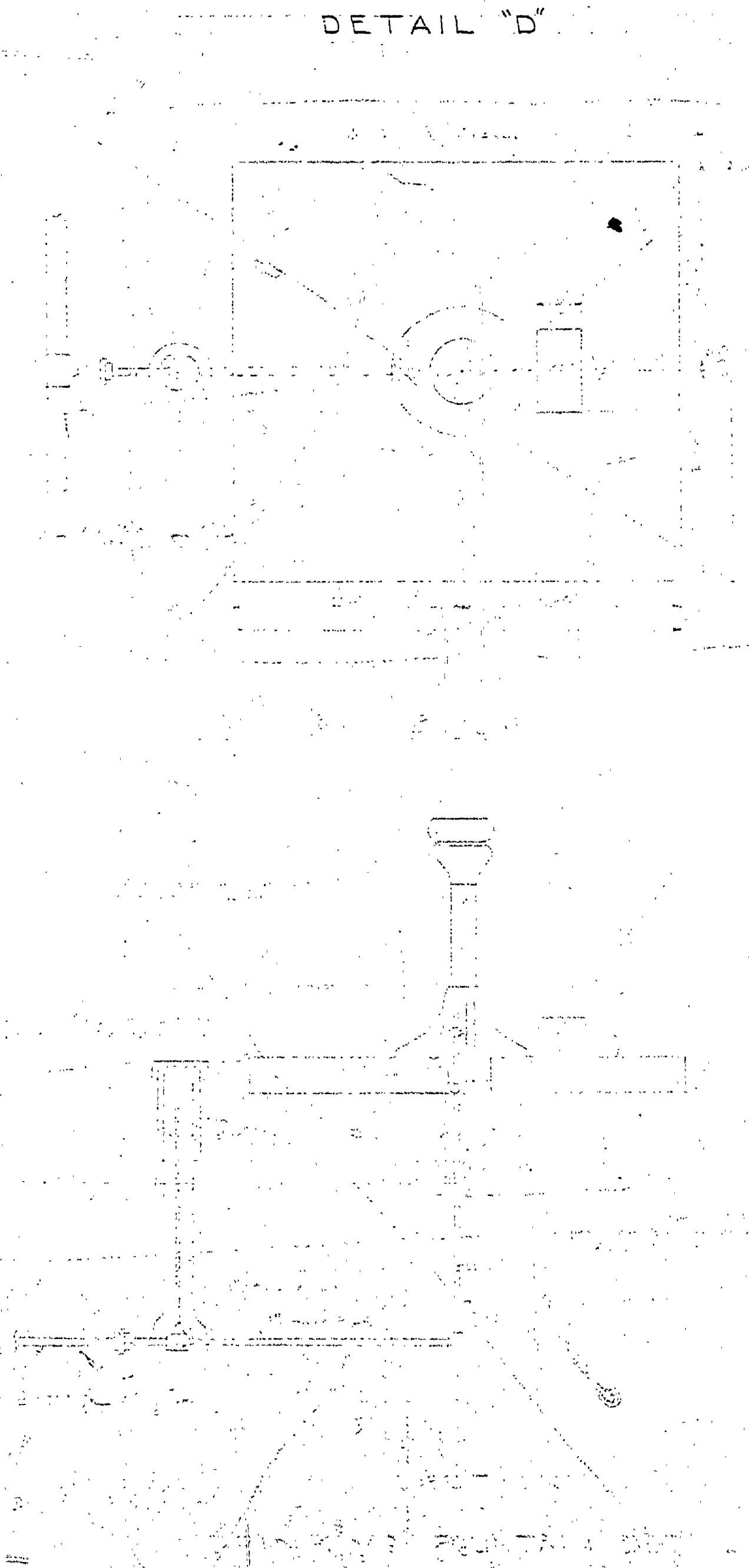
SECTION B-B



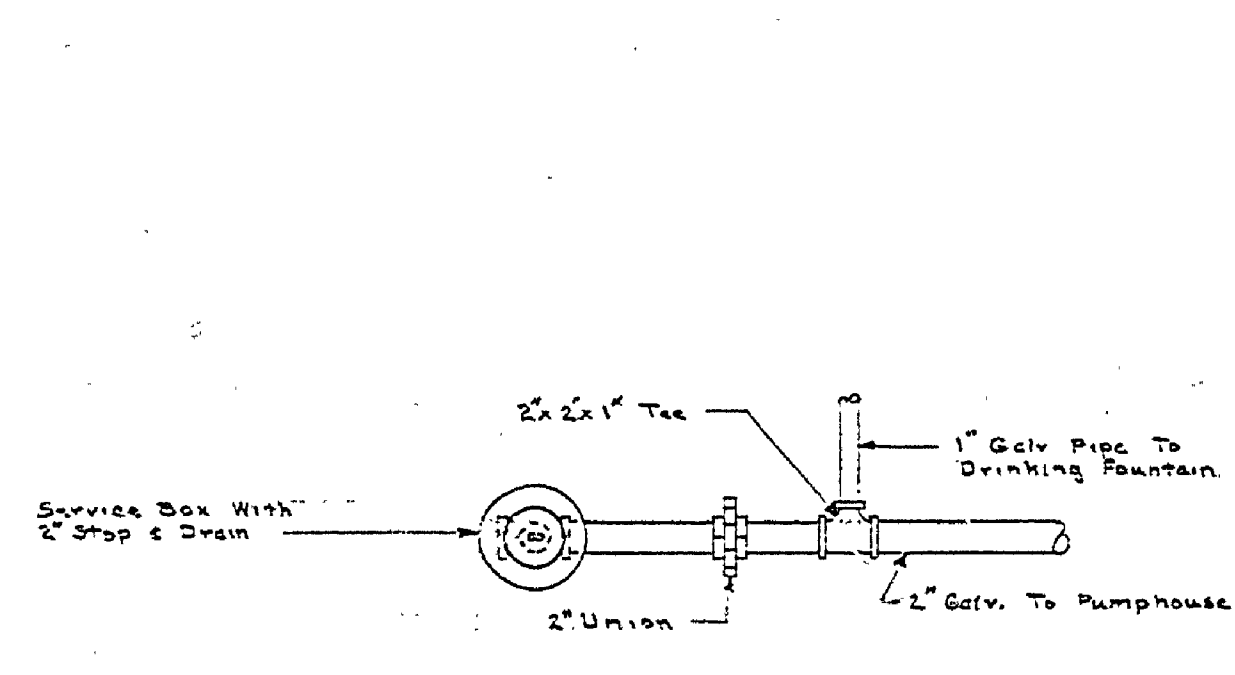
SECTION A-A
DETAIL "A"



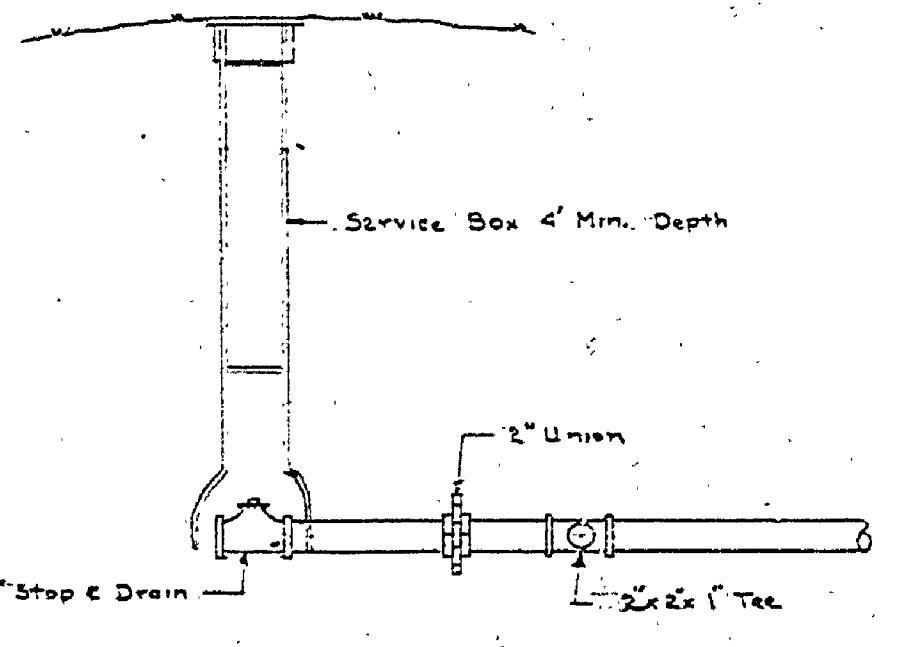
PLAN SECTION
DETAIL "C"



Note: See Sheet No. 4 For Drinking Fountain Detail



PLAN



ELEVATION

PLAN
DETAIL "E"

MICHIGAN
DEPARTMENT OF CONSERVATION
PARKS AND RECREATION DIVISION

BURT LAKE STATE PARK
WATER SYSTEM
Scale 3/4" = 1'-0"

SHEET
NO. 2
OF 4

PLAN NO.
E-114