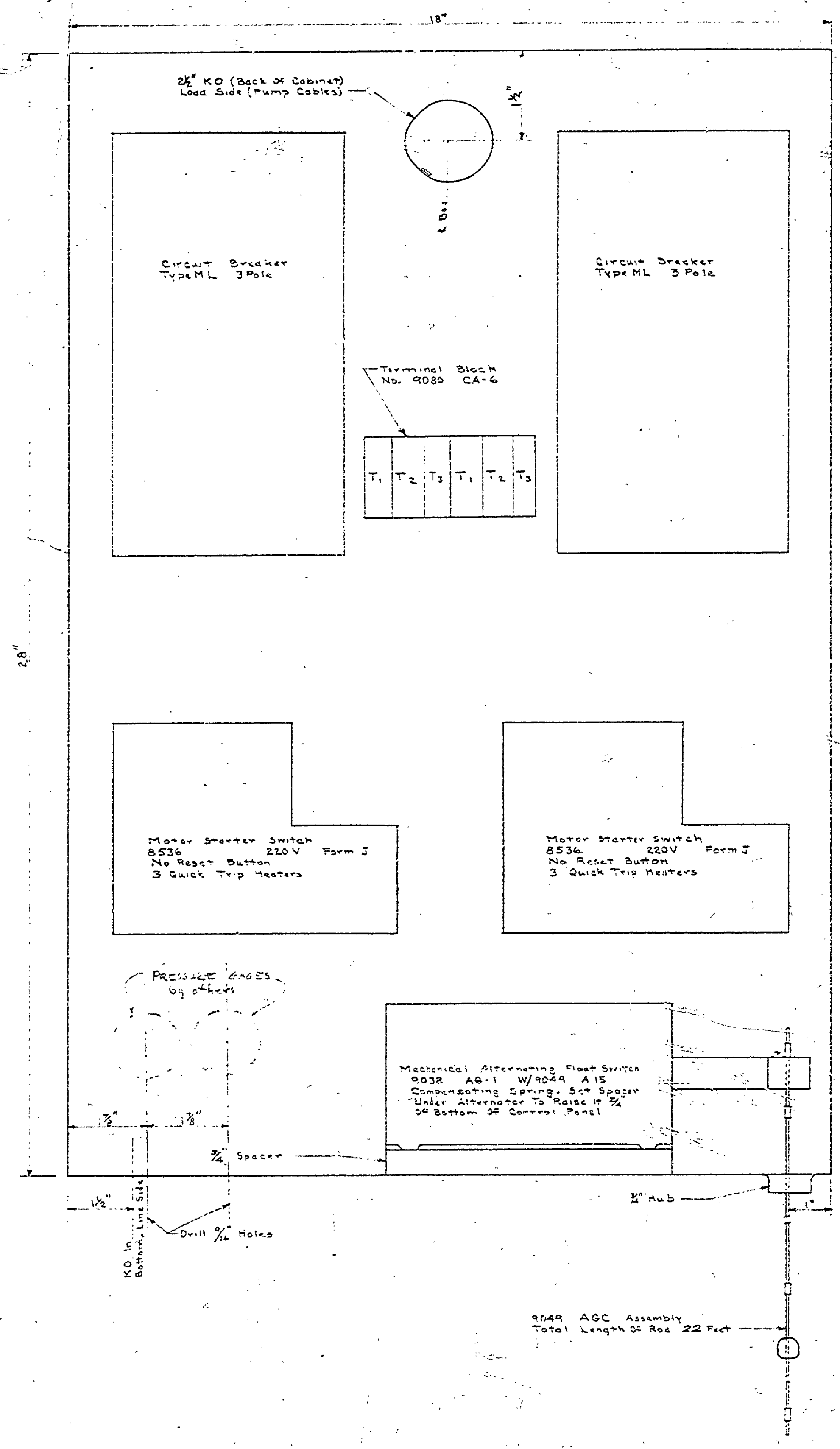
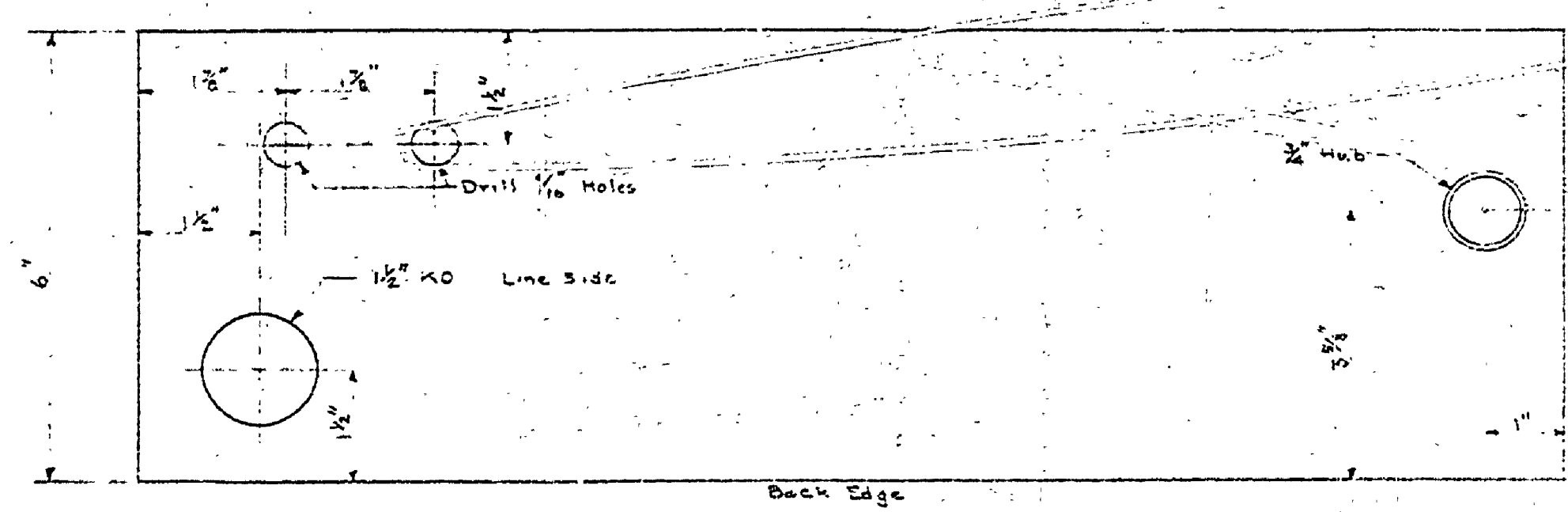


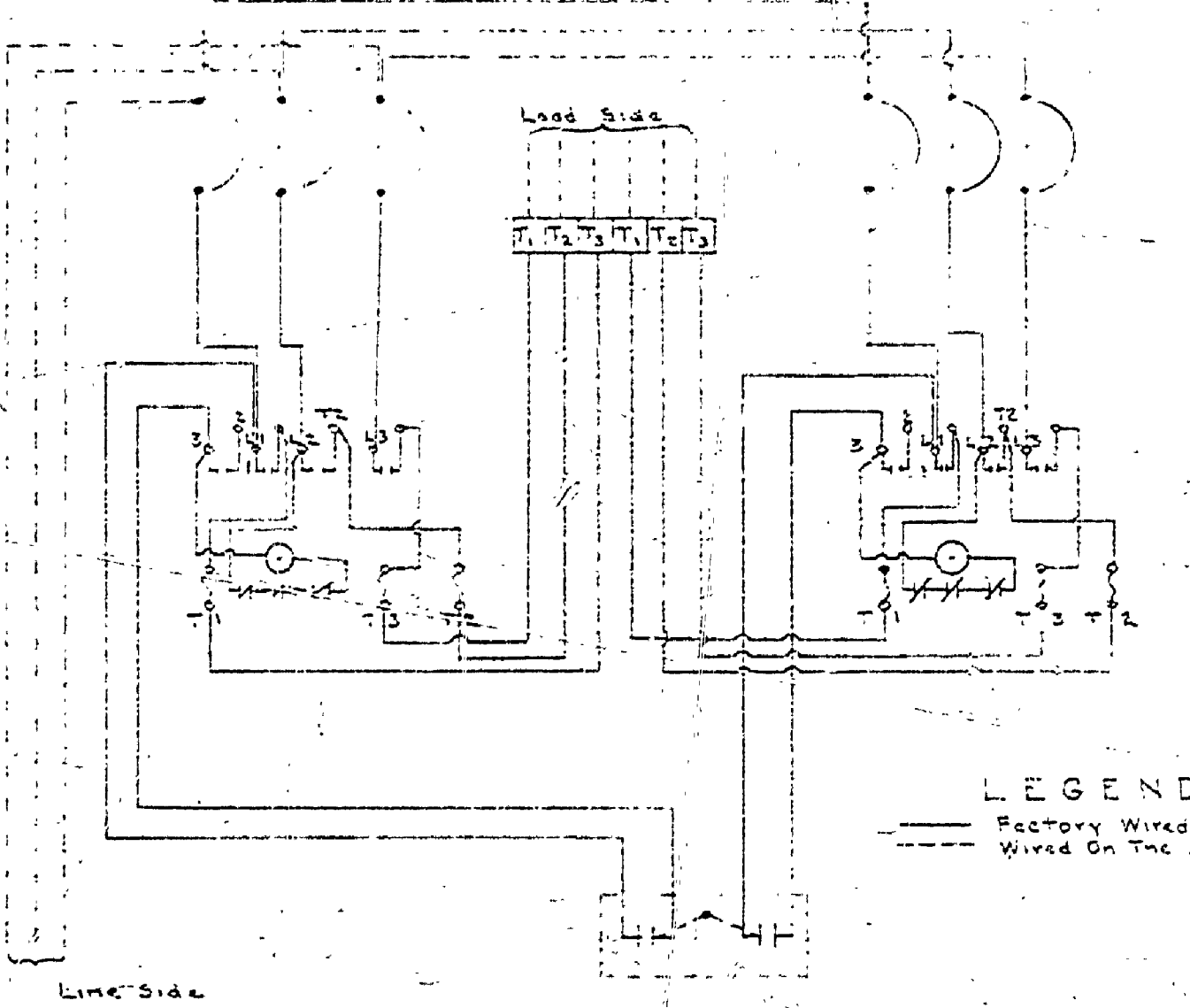
DESIGNED BY	DRAWN BY	CHECKED BY	DATE	REVIEWED	DATE	APPROVED	DATE	NO.	DATE	BY	REVISIONS
W. K. H.	K. E. G.	B. H. G.	2-17-64	W. K. H.	2-17-64	[Signature]	5/1/64	1			4
								2			5
								3			6



FRONT WITH COVER REMOVED
Half Scale

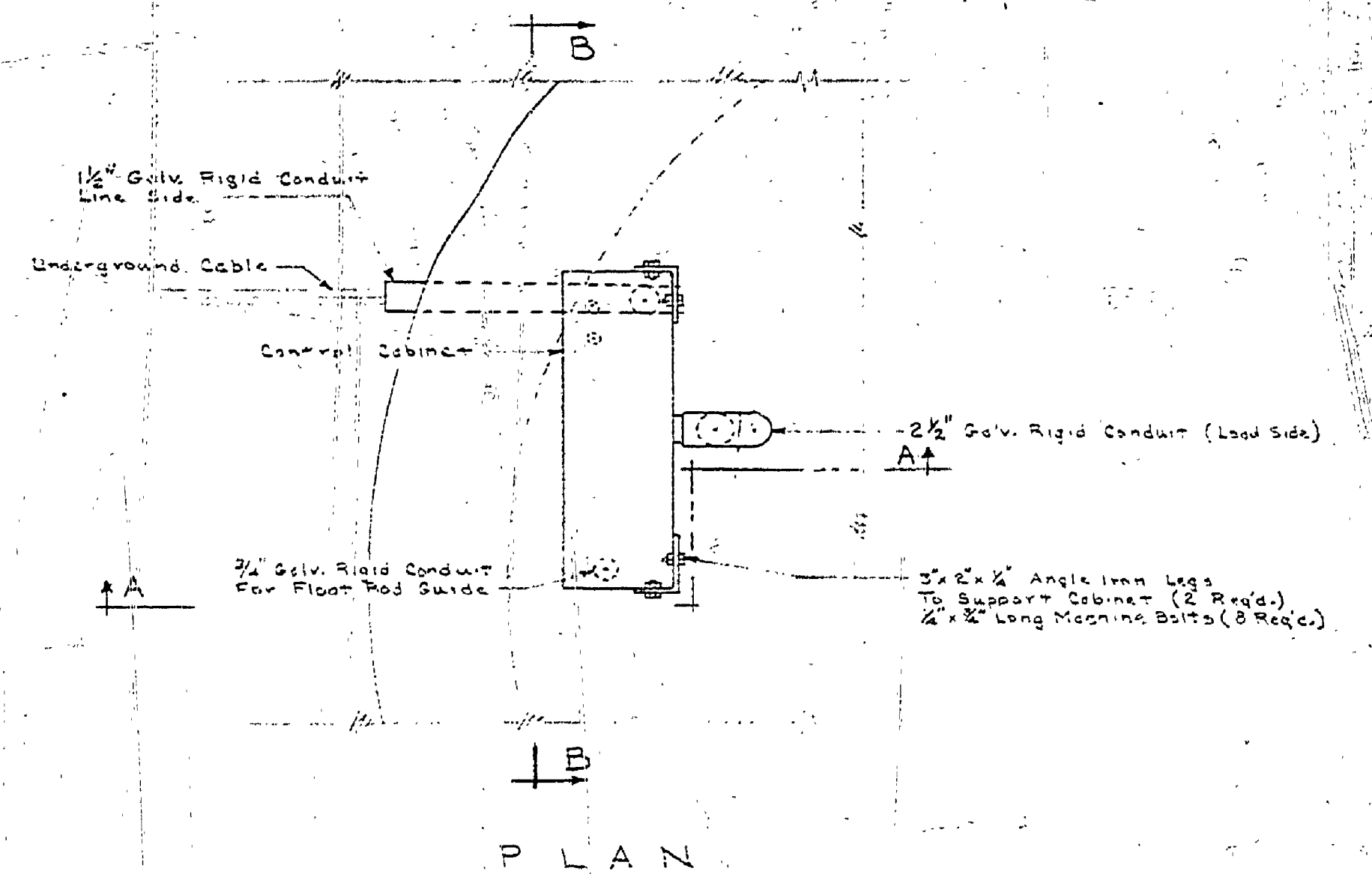


BOTTOM
Half Scale

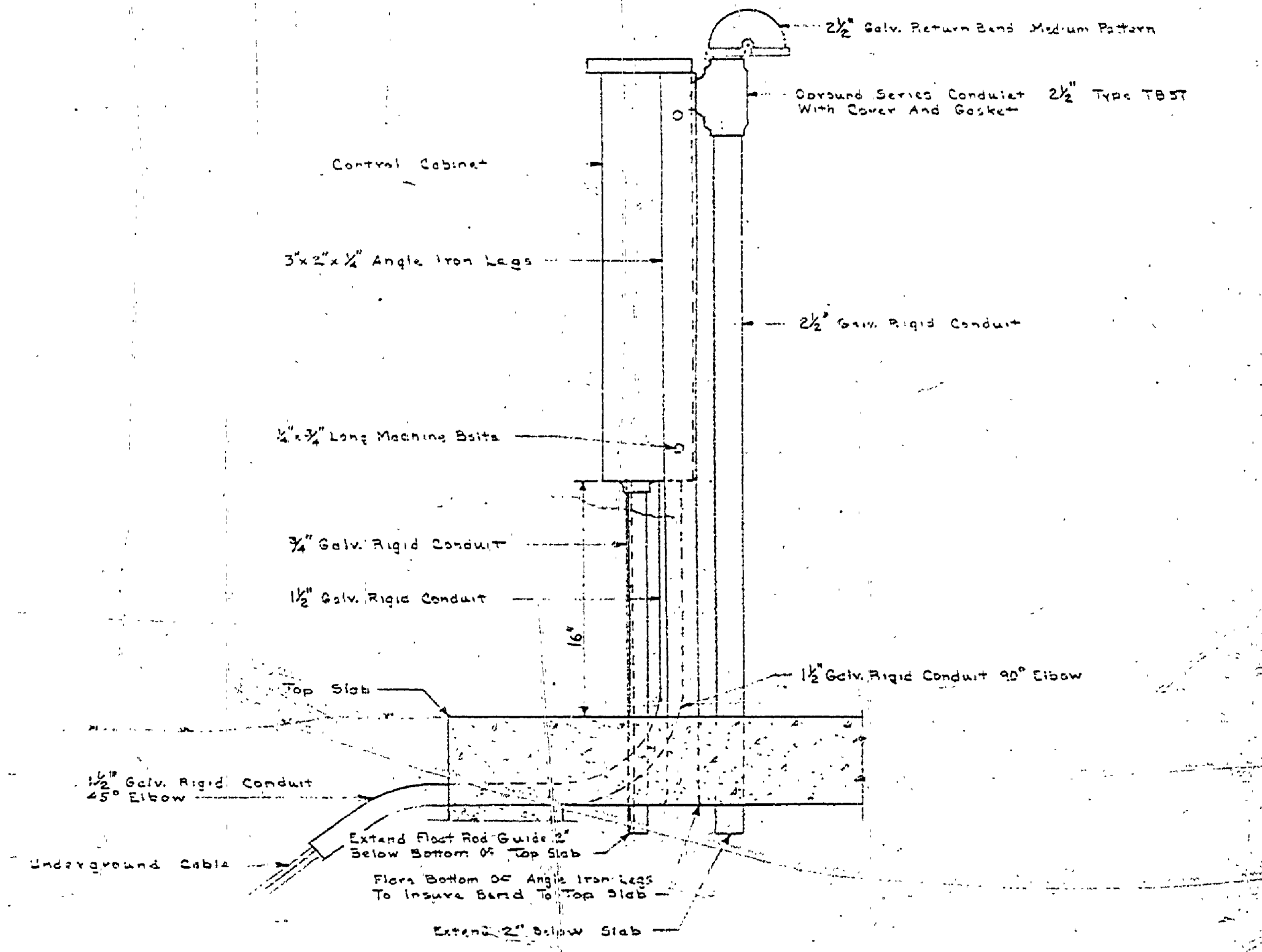


WIRING DIAGRAM
Not To Scale

NOTES
All Numbers Shown In Component Parts In Control Cabinet Are Square D. No Substitutes Will Be Accepted.
Component Parts In This Control Box Are To Be Of Sufficient Amperage To Handle Pump Motors Furnished.
Cabinet Is To Be Weatherproof (See Specifications For Complete Description).

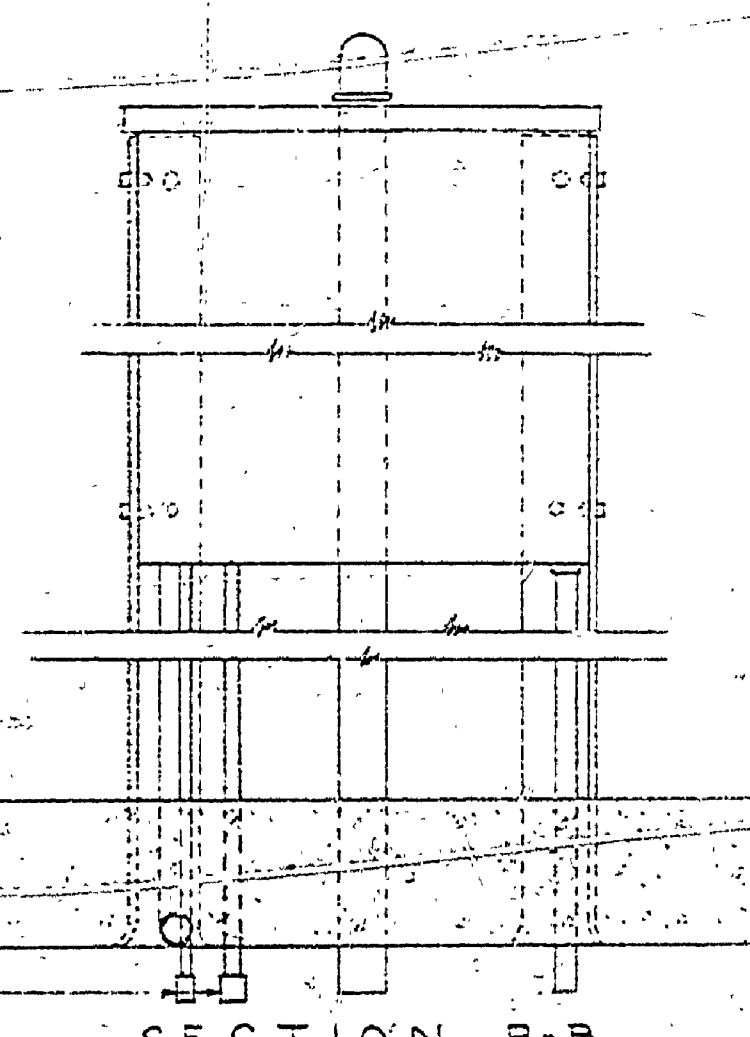


PLAN



SECTION A-A

NOTES
Control Pedestal Should Be Completely Assembled And Set In Form Before Top Slab Is Poured.
Be Sure 3/4\"/>



SECTION B-B

PANEL PEDESTAL INSTALLATION DETAILS
Scale 1/2" = 1'-0"

CONTROL FOR DUAL PUMPS

220 VOLT 3^Ø PUMP CONTROL PANEL

MICHIGAN
DEPARTMENT OF CONSERVATION
PARKS AND RECREATION DIVISION

BURT LAKE STATE PARK
CENTRAL SEWAGE DISPOSAL SYSTEM

SHEET NO. 8 OF 8
PLAN NO. E 115