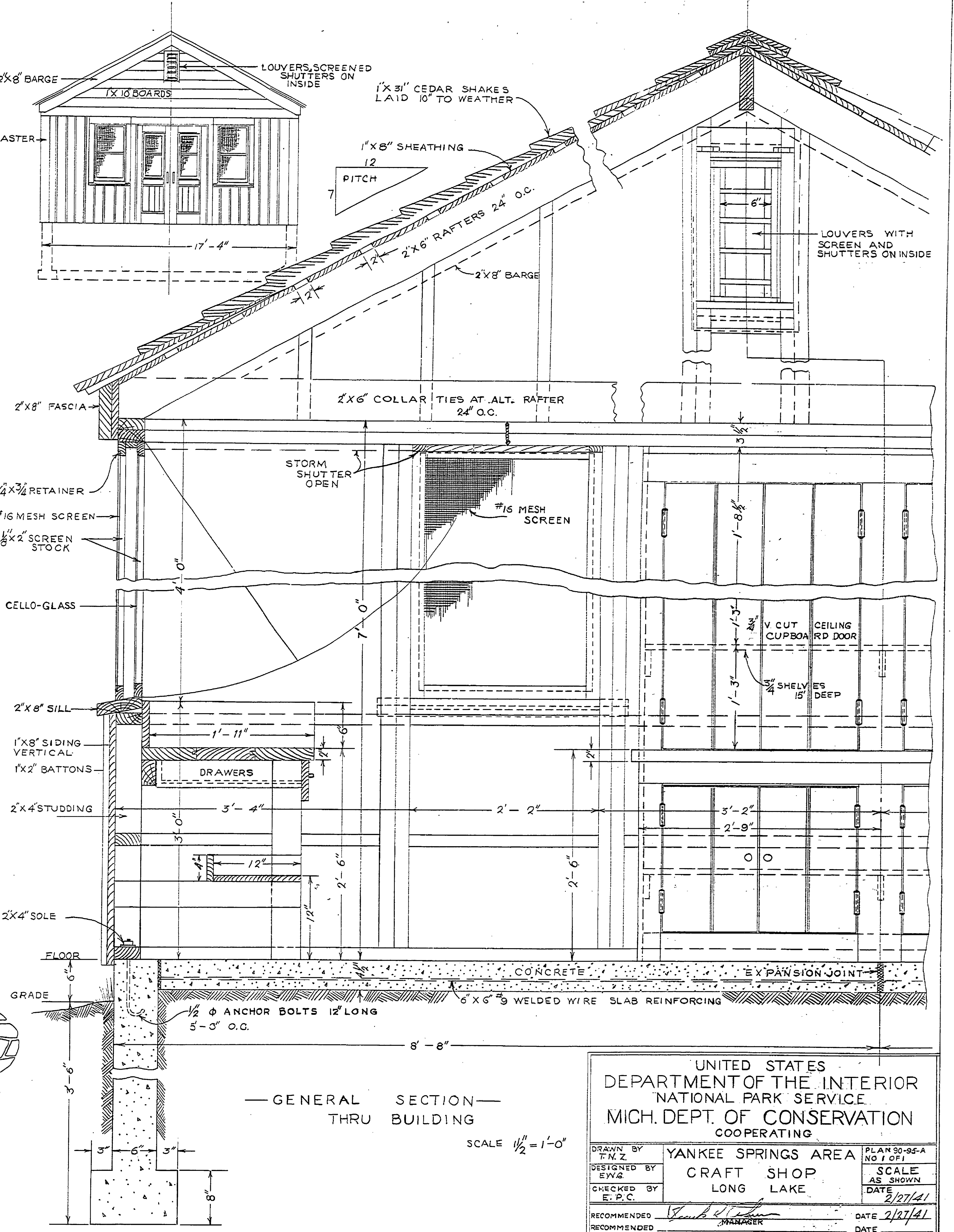
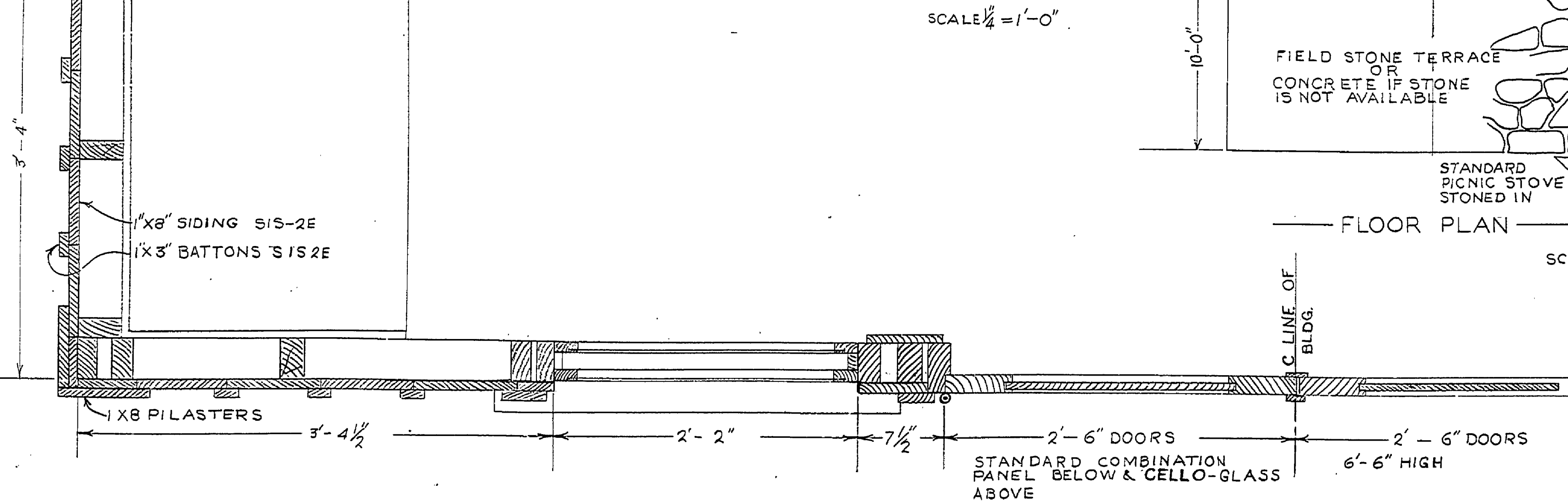
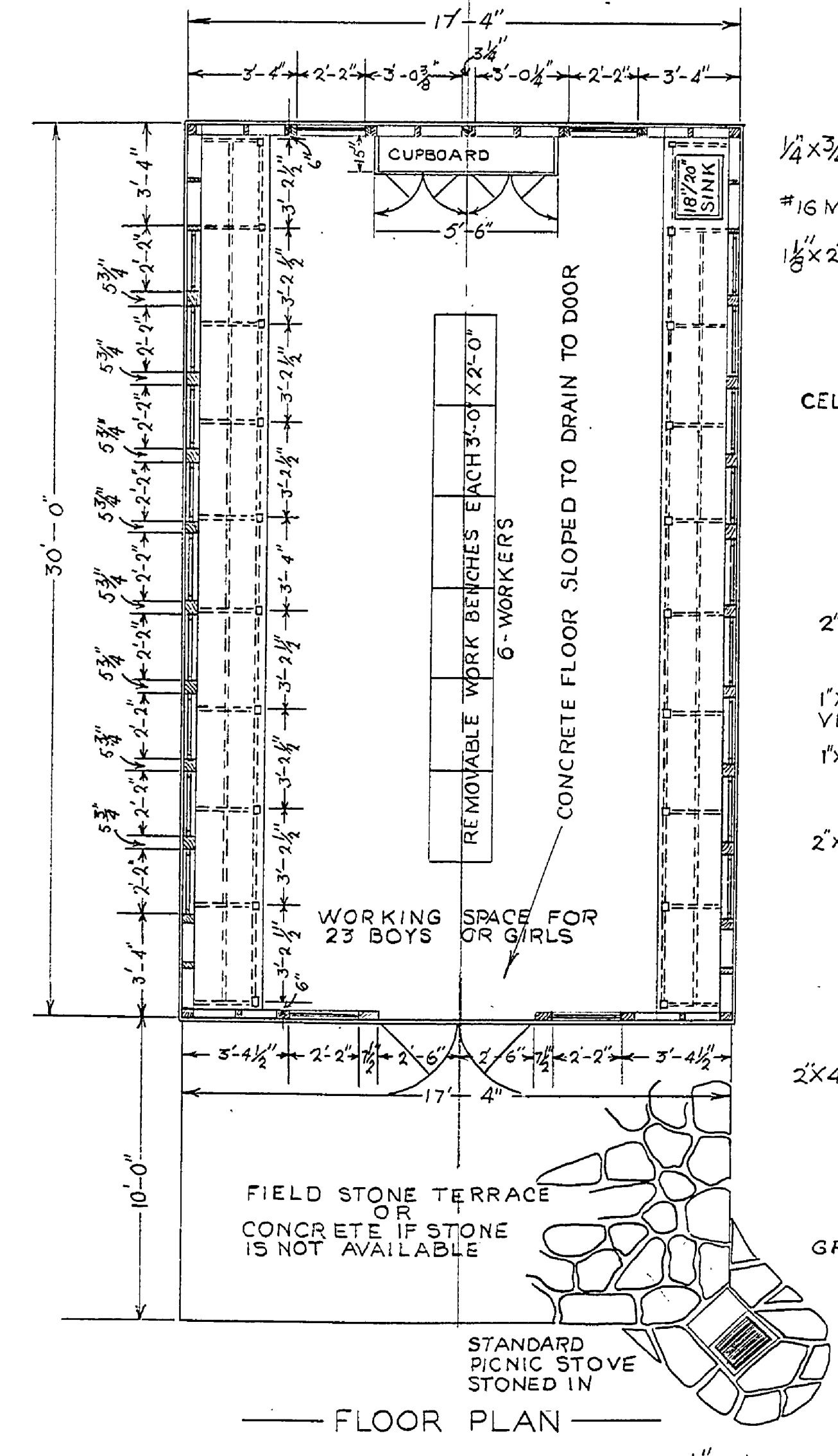
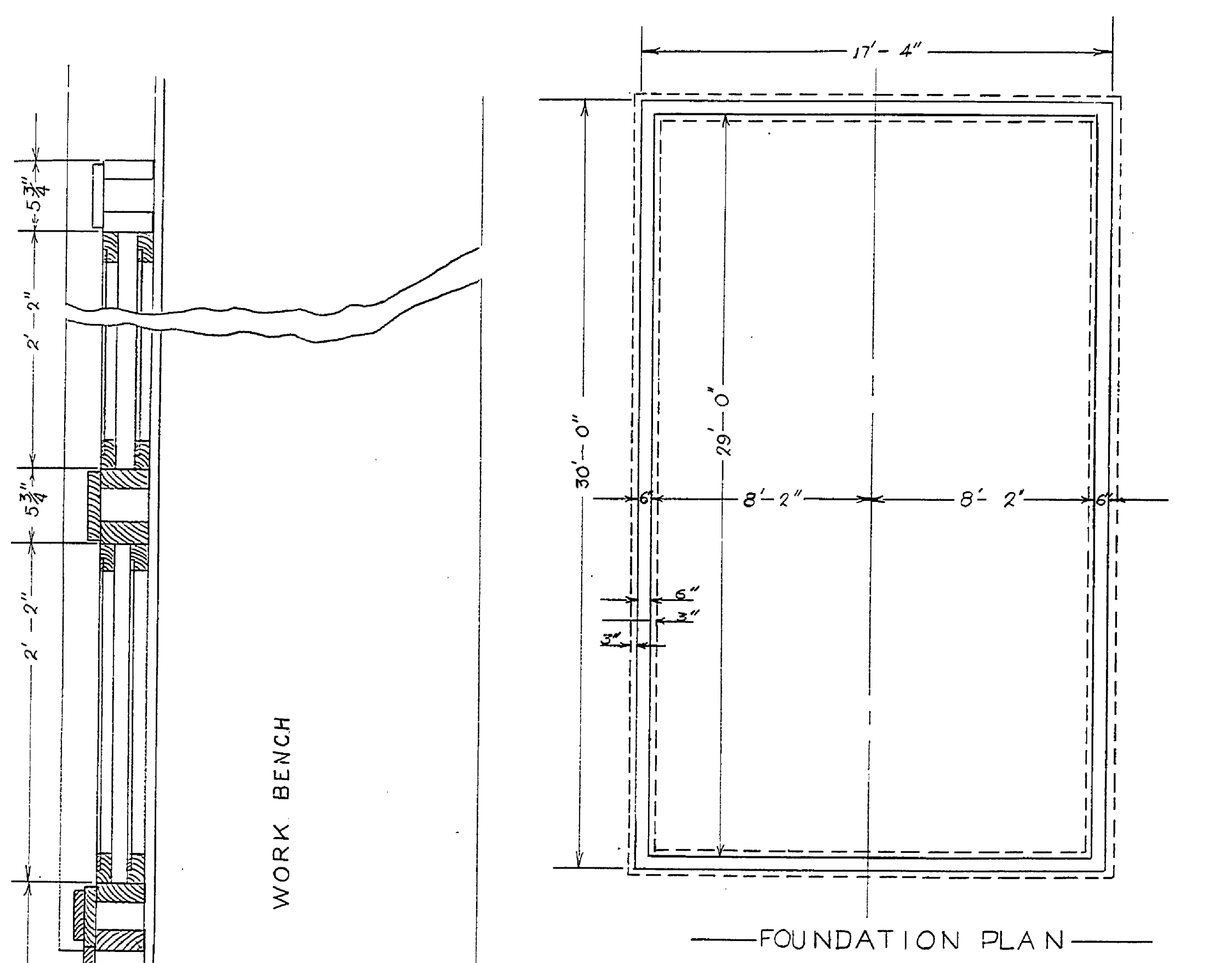


SCALE - AS SHOWN



UNITED STATES DEPARTMENT OF THE INTERIOR NATIONAL PARK SERVICE MICH. DEPT. OF CONSERVATION COOPERATING		
DRAWN BY T.N.Z.	YANKEE SPRINGS AREA	PLANS 90-95-A NO 1 OF 1
DESIGNED BY E.W.G.	CRAFT SHOP LONG LAKE	SCALE AS SHOWN
CHECKED BY E.P.C.		DATE 5/27/41
RECOMMENDED BY	<i>[Signature]</i>	DATE 2/27/41
RECOMMENDED BY	MANAGER	DATE
APPROVED BY	INSPECTOR	DATE
APPROVED BY	PARK AUTHORITY OR SPONSOR	DATE
APPROVED BY	REGIONAL DIRECTOR	DATE

INSURANCE No. 60 #60