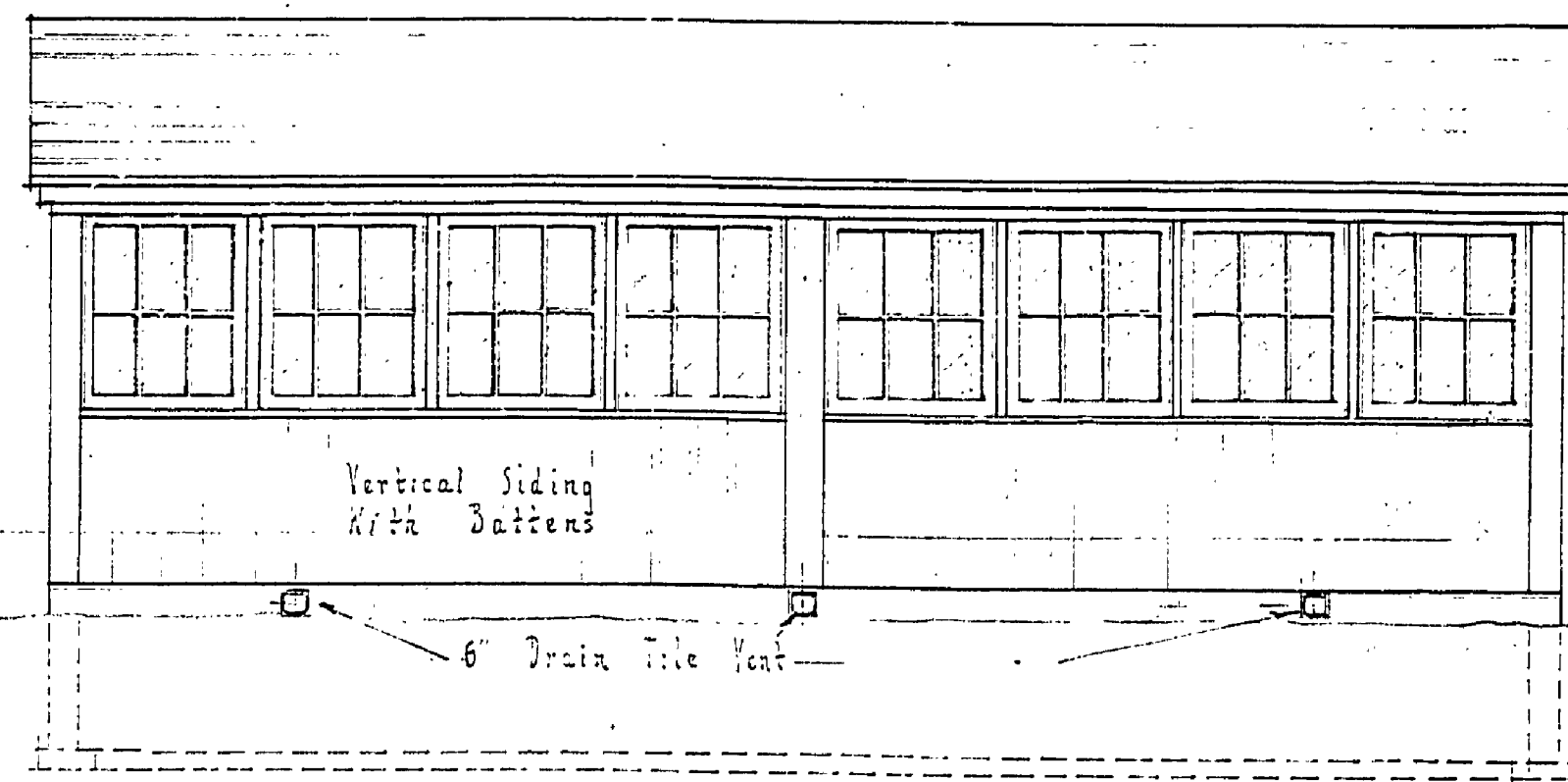
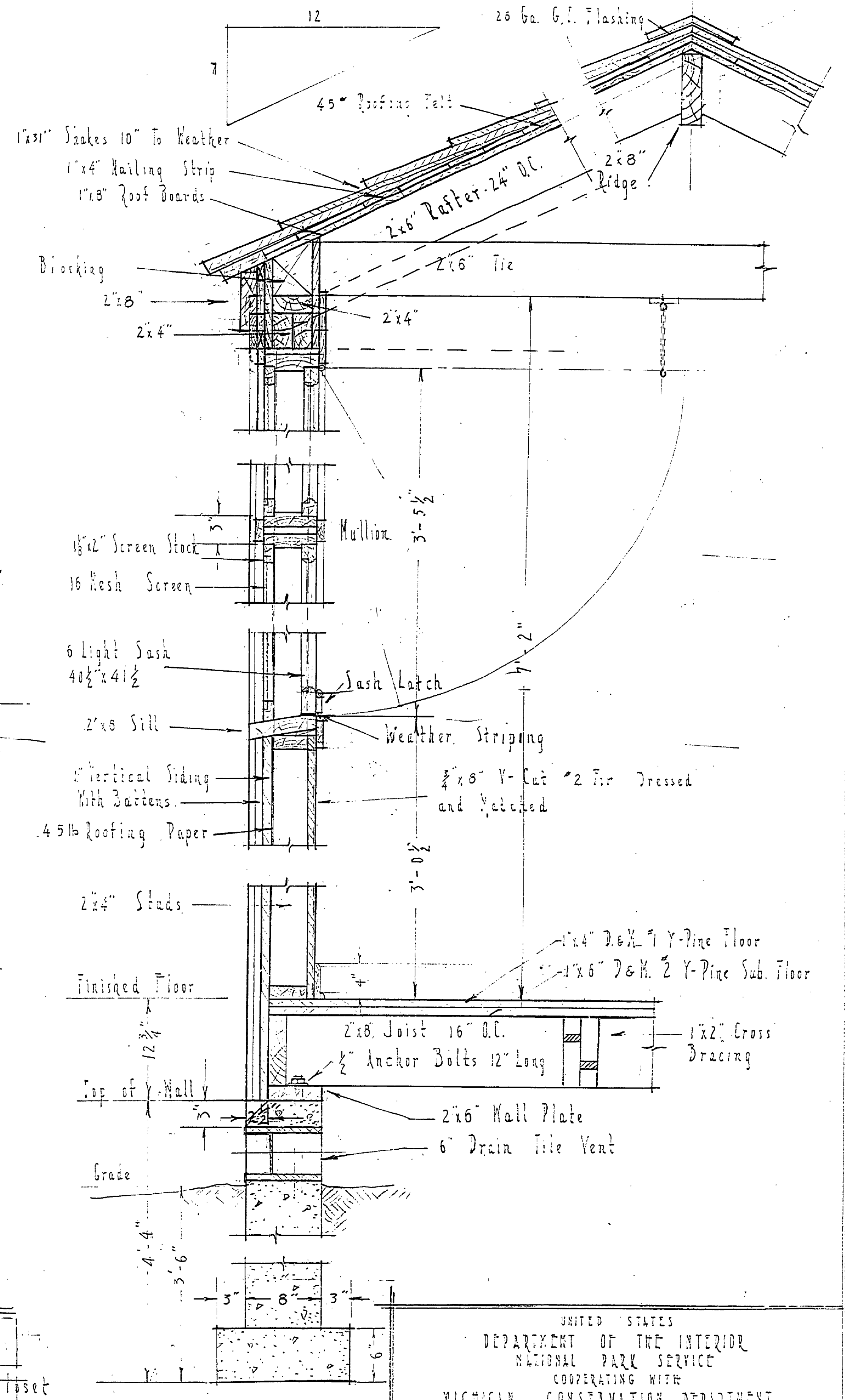


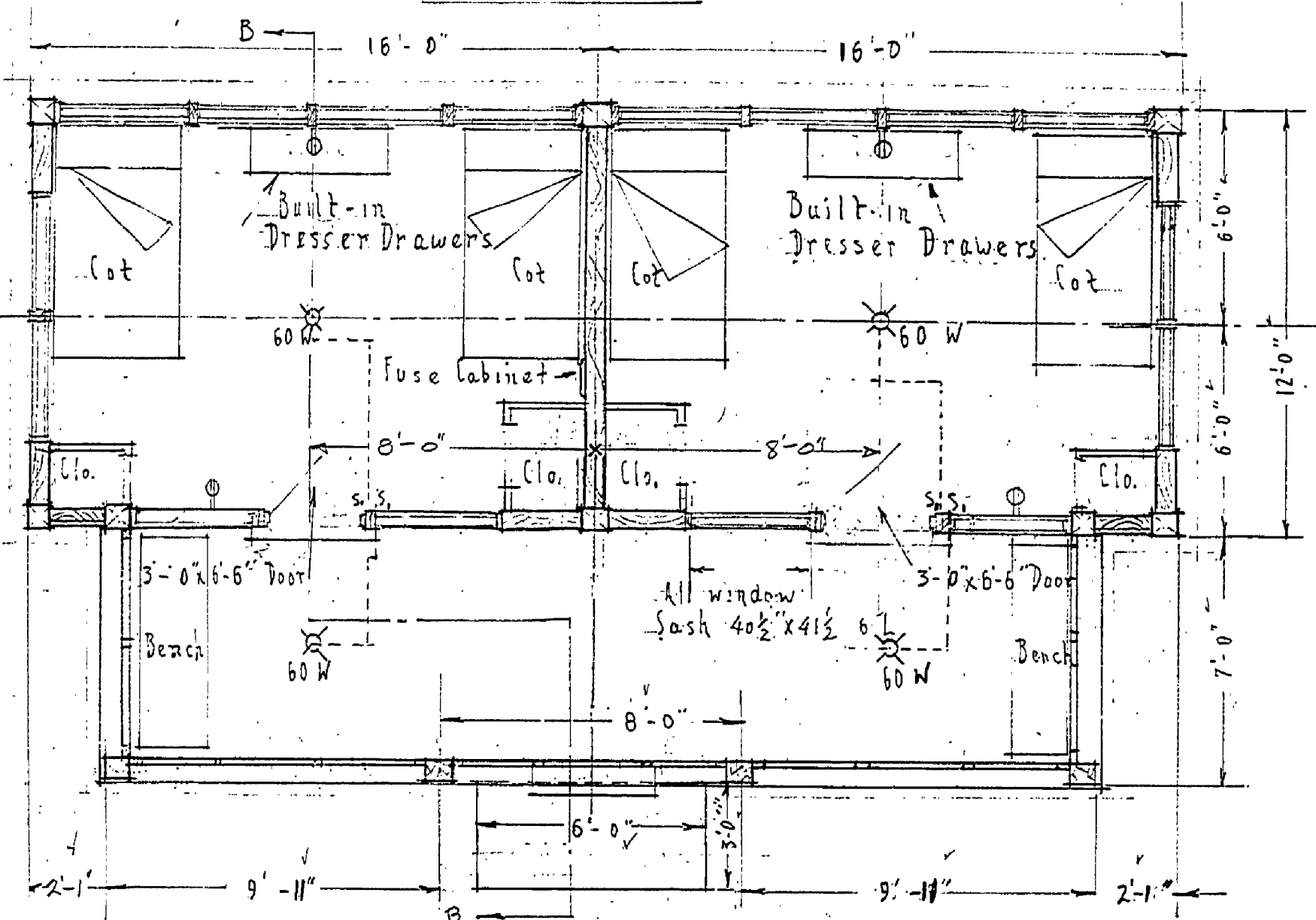
FRONT ELEVATION
Scale 1/8" = 1'-0"



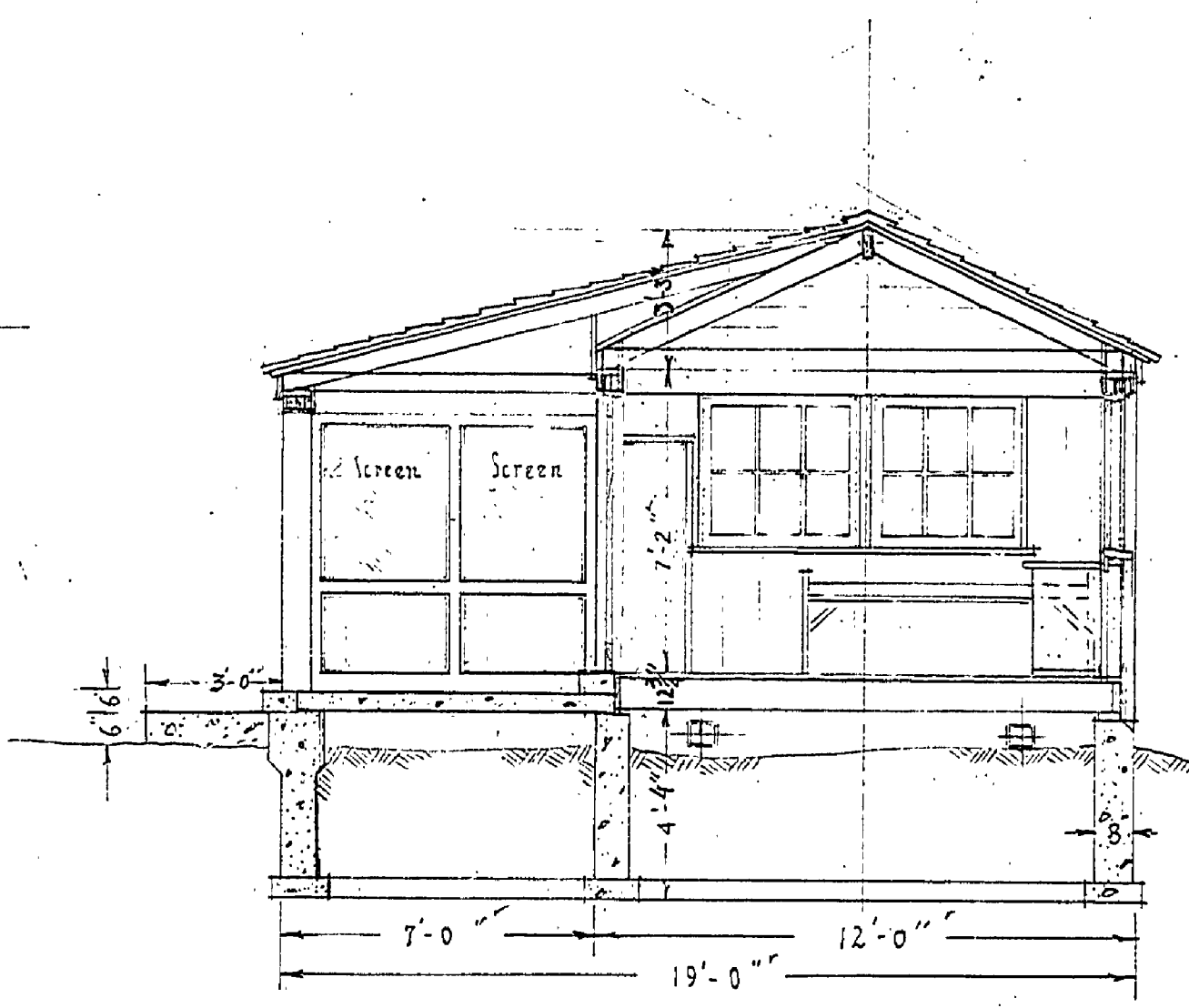
REAR ELEVATION
Scale 1/8" = 1'-0"



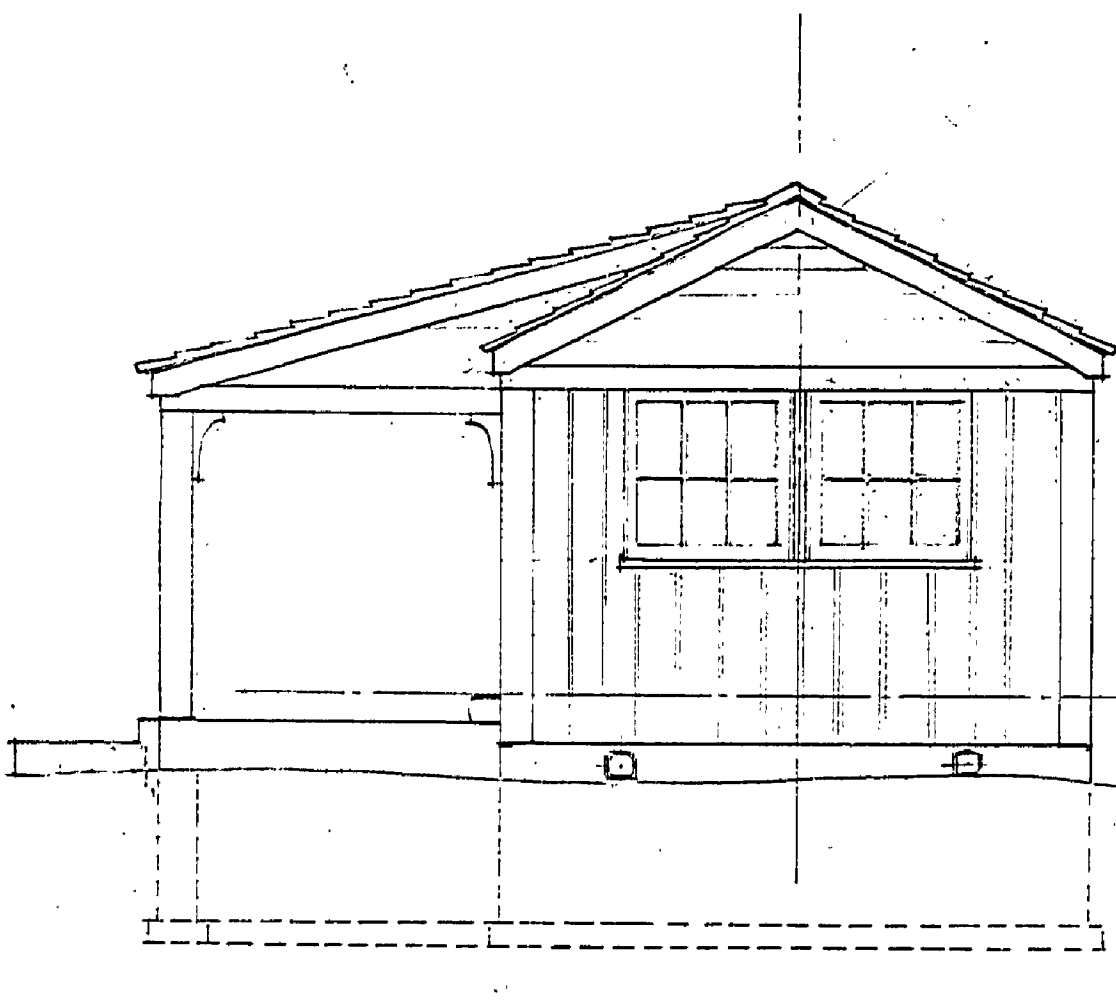
SECTION A-A
Scale 1/8" = 1'-0"



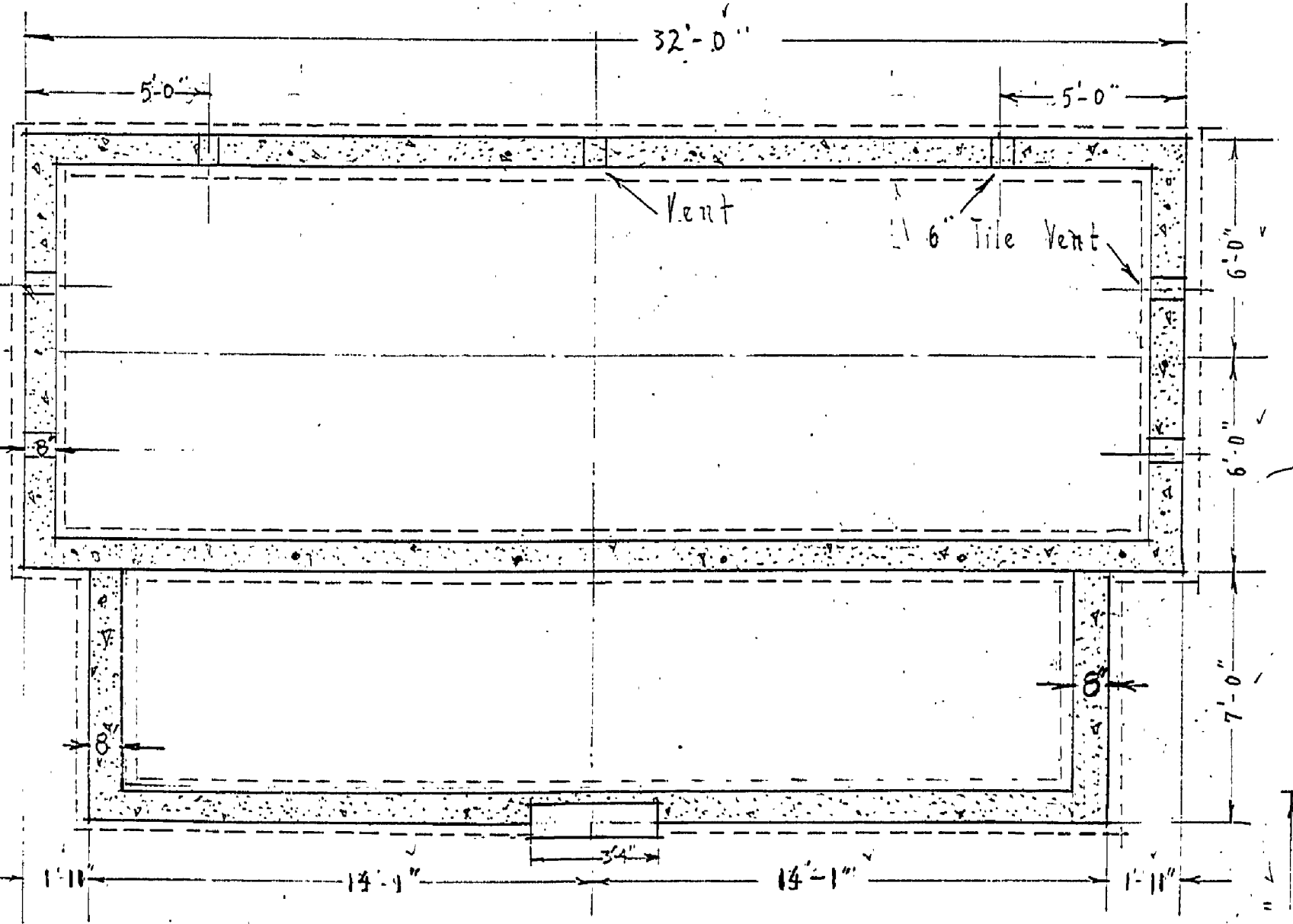
PLAN
Scale 1/8" = 1'-0"



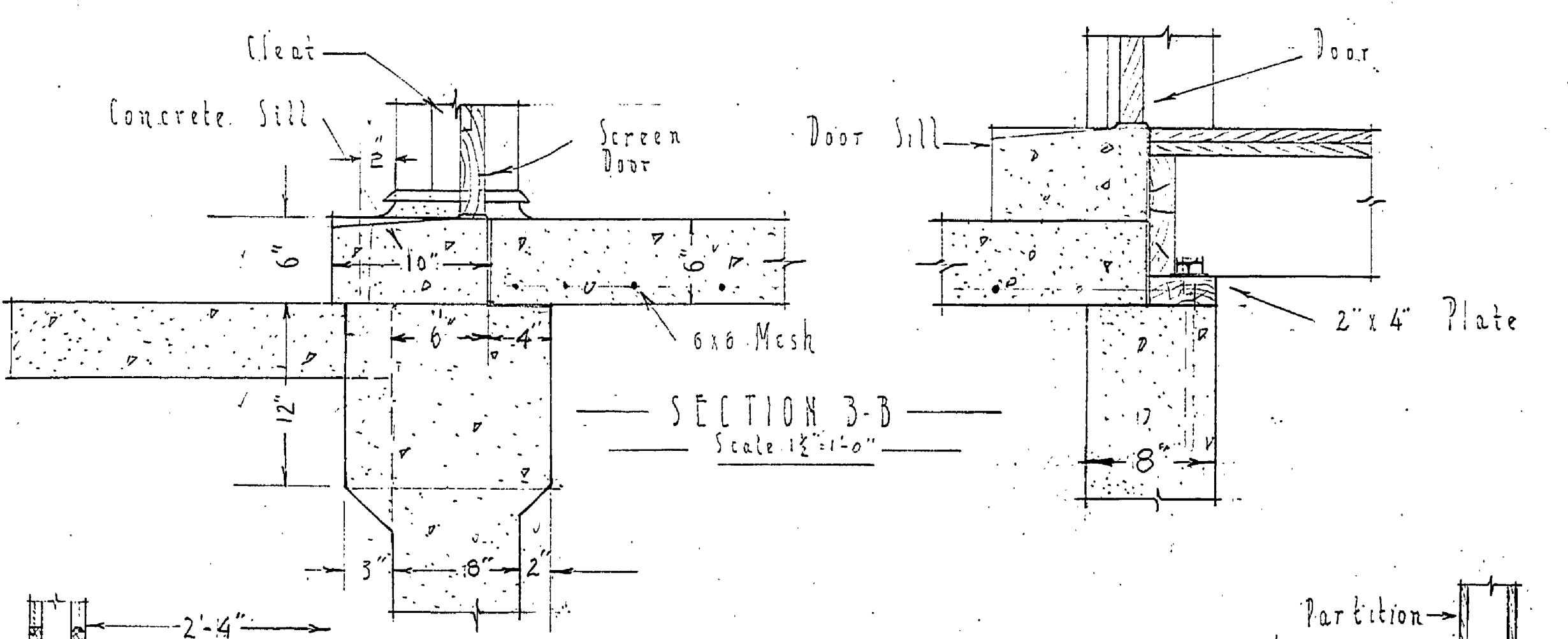
SECTION B-B
Scale 1/8" = 1'-0"



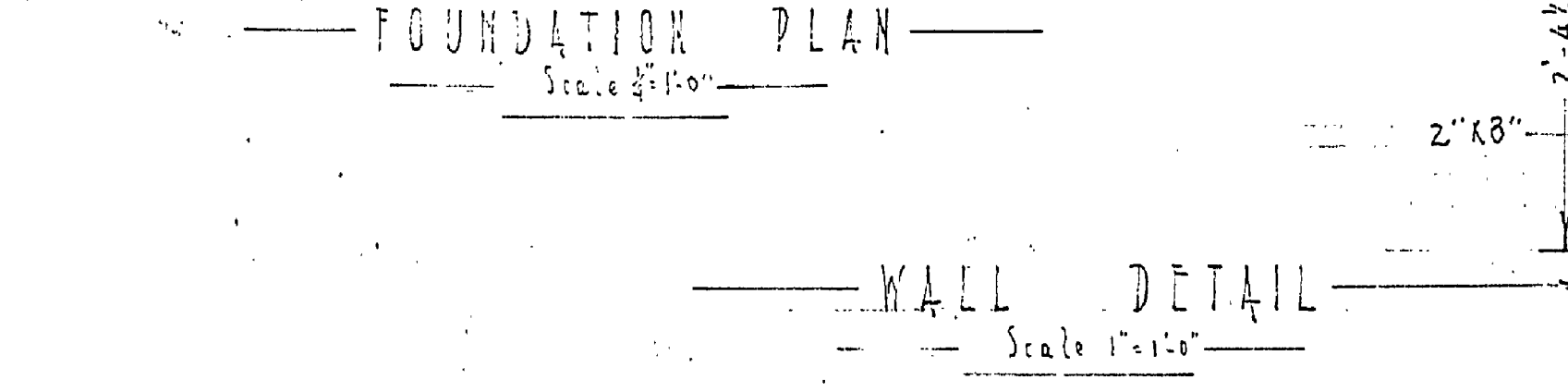
END ELEVATION
Scale 1/8" = 1'-0"



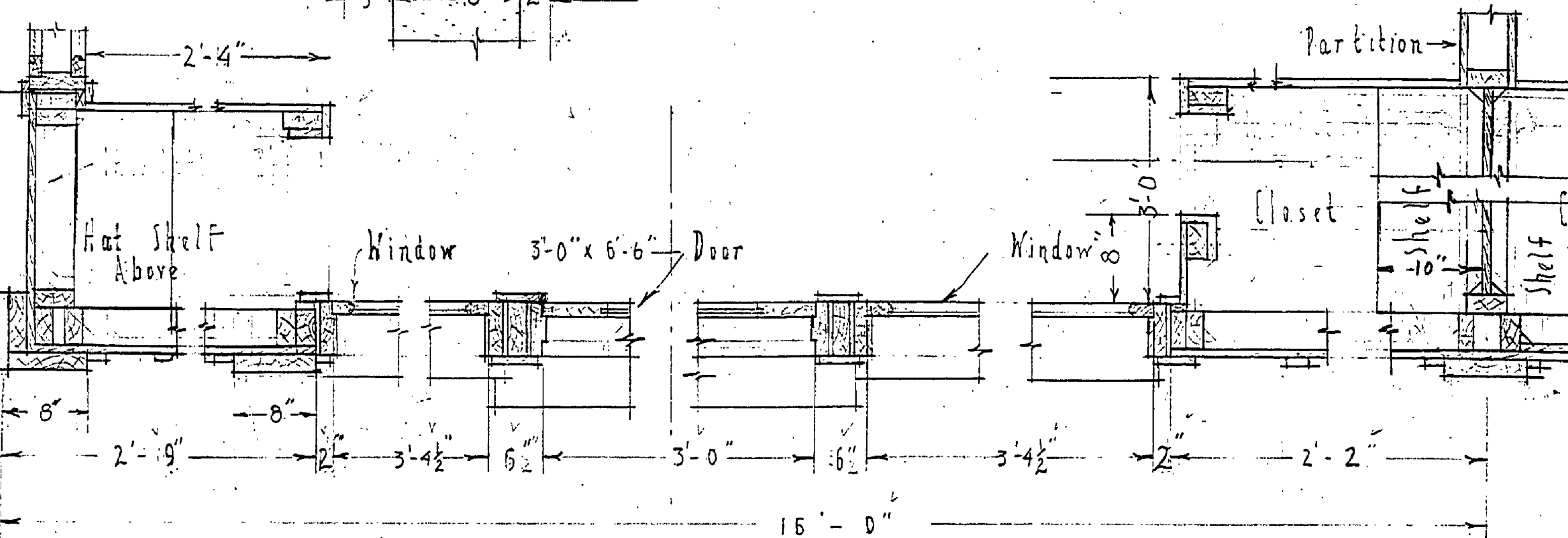
FOUNDATION PLAN
Scale 1/8" = 1'-0"



SECTION 3-B
Scale 1/8" = 1'-0"



WALL DETAIL
Scale 1/8" = 1'-0"



SECTION A-A
Scale 1/8" = 1'-0"

UNITED STATES DEPARTMENT OF THE INTERIOR NATIONAL PARK SERVICE COOPERATING WITH MICHIGAN CONSERVATION DEPARTMENT		
DESIGNED BY YANKEE SPRINGS PROJECT	PROJECT MANAGER	DATE 6-7-38
DESIGNED BY MCLP'S QUARTERS	INSPECTOR	DATE
CHECKED BY LONG LEE	APPROVED	DATE
PREPARED AND APPROVED BY	REGIONAL DIRECTOR	DATE

INSURANCE No. 58 # 58

Job #73 A-114