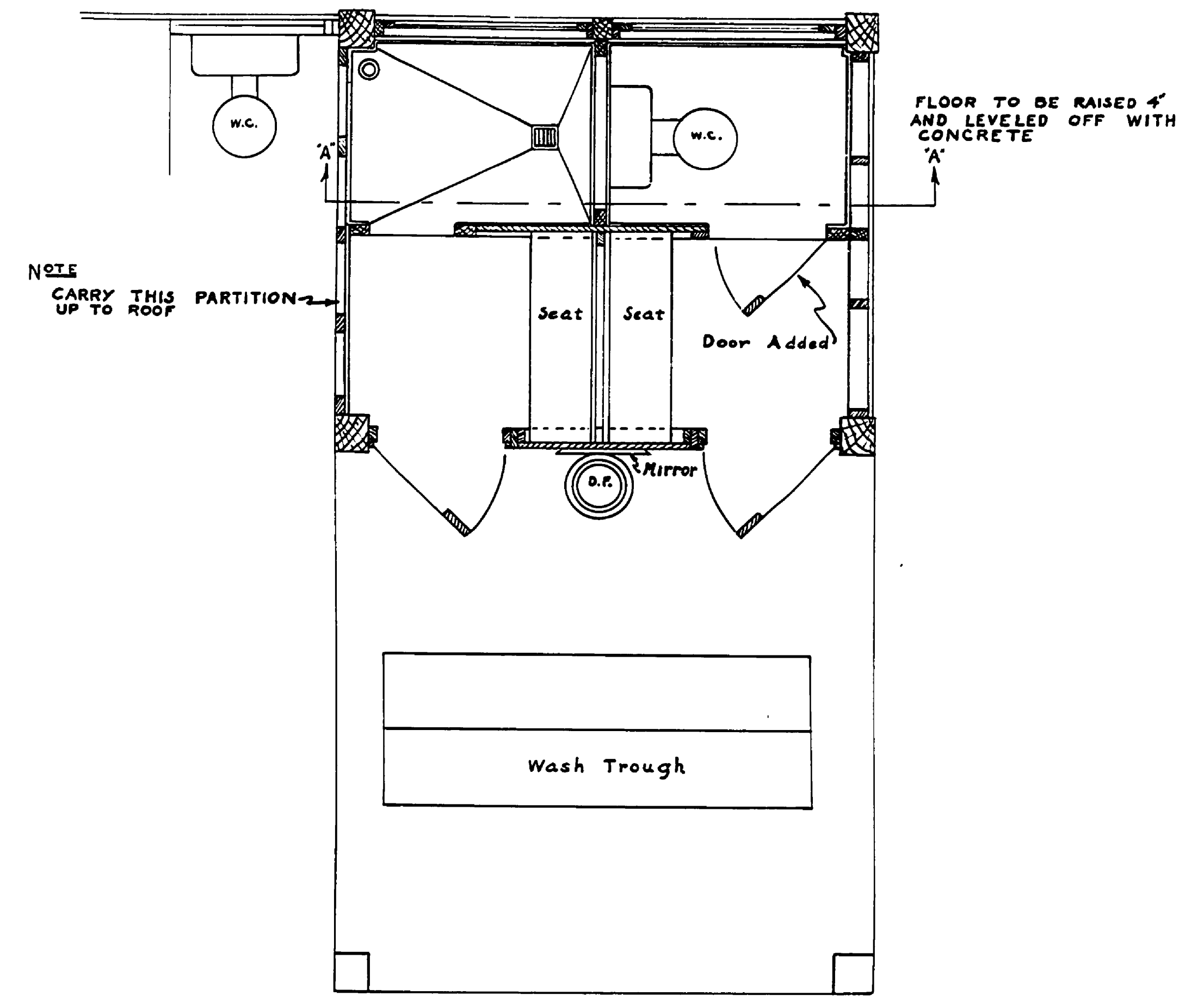
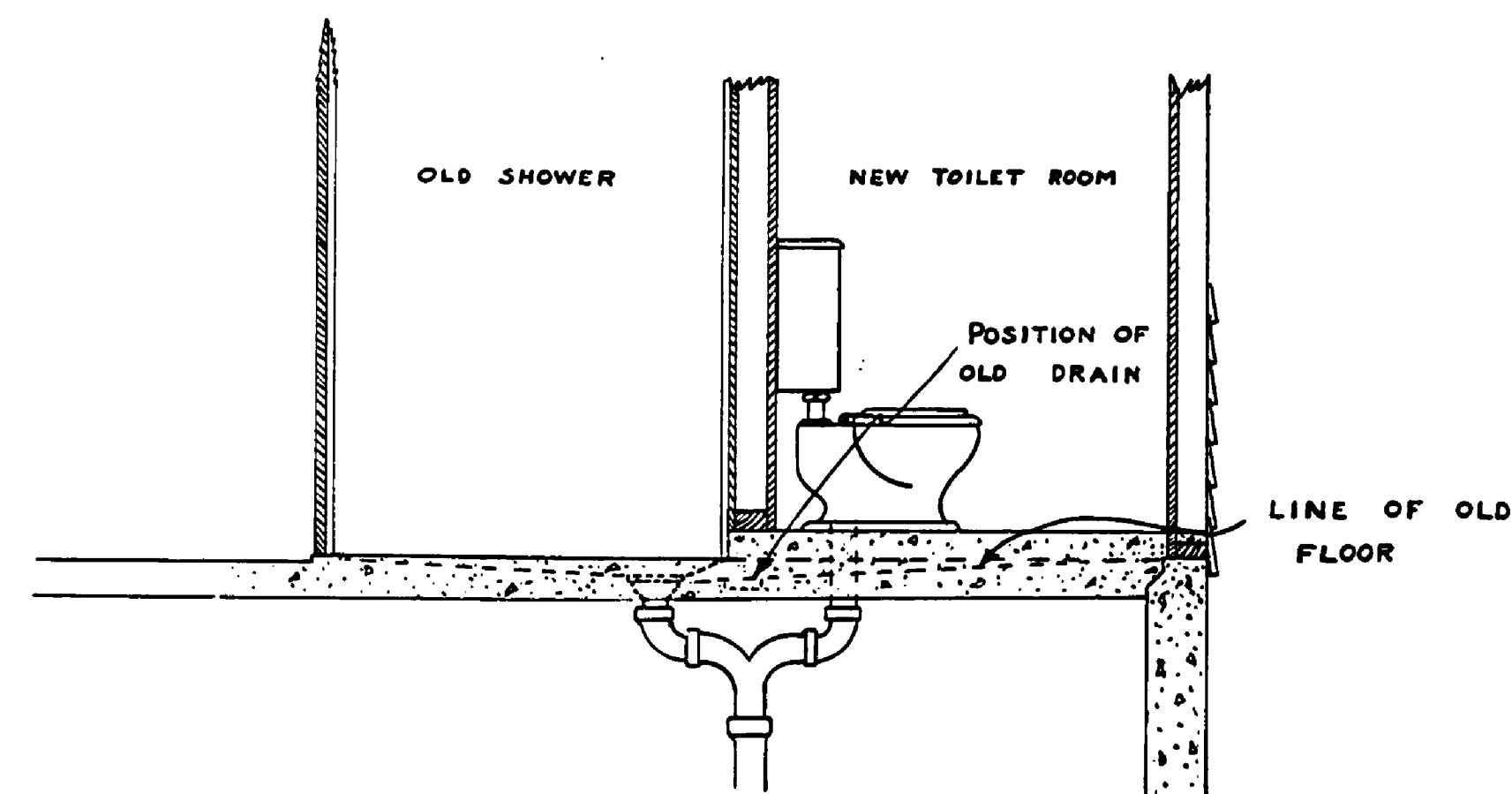


FOUNDATION PLAN



FLOOR PLAN  
Scale 1/8"=1'-0"



SECTION -A-A  
Scale 1/8"=1'-0"

MICH. DEPT. OF CONSERVATION  
IN COOPERATION WITH  
UNITED STATES  
DEPARTMENT OF THE INTERIOR  
NATIONAL PARK SERVICE

DRAWN BY	YANKEE SPRINGS AREA	PLAN 80-24
DESIGNED BY	UNIT LATRINE	NO. 1 OF 2
CHECKED BY	JOB NO. 10	SCALE 1/8"=1'-0"
	NOONDAY LAKE	LD-MI-6
PREPARED AND APPROVED BY		DATE 9-14-38
	PARK AUTHORITY OR SPONSOR	DATE
	INSPECTOR	DATE

TRACED BY *W.C. Cook* DATE *11/1/39*

INSURANCE No. 64 To No. 67

FEB #10

H-12.2