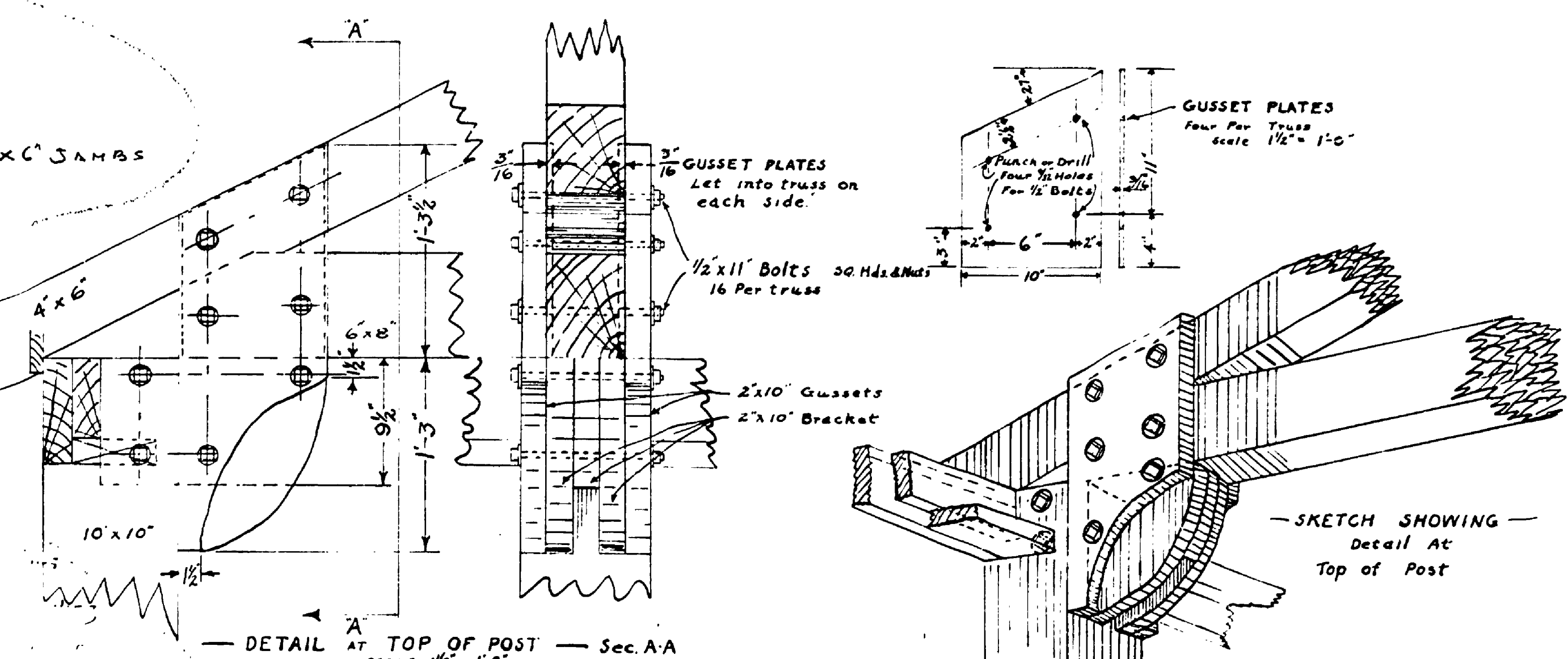
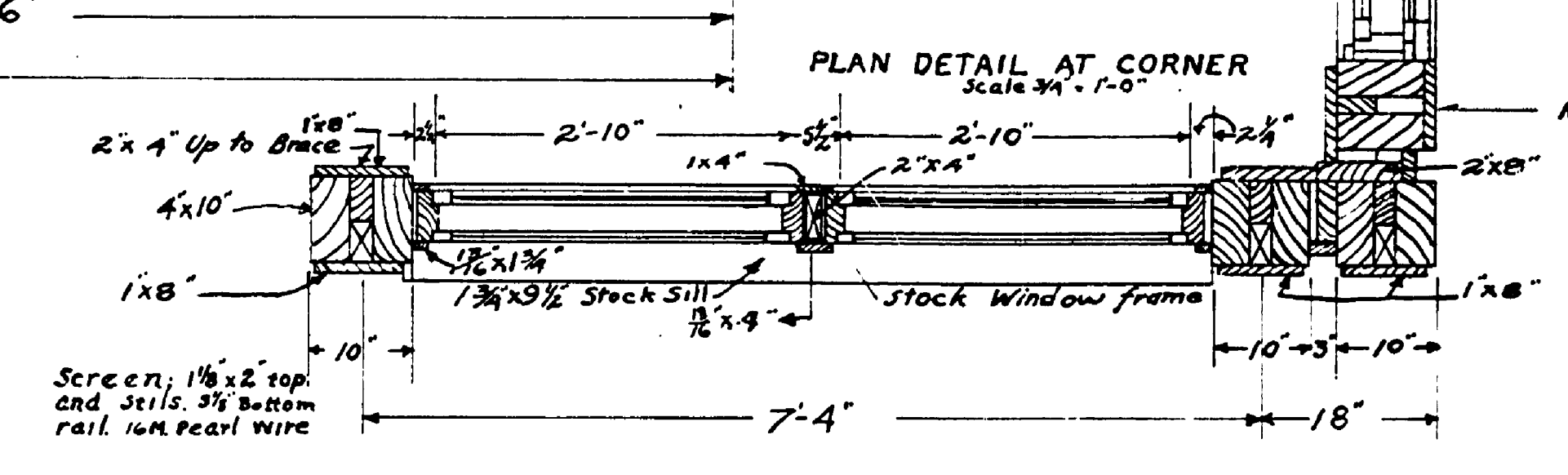
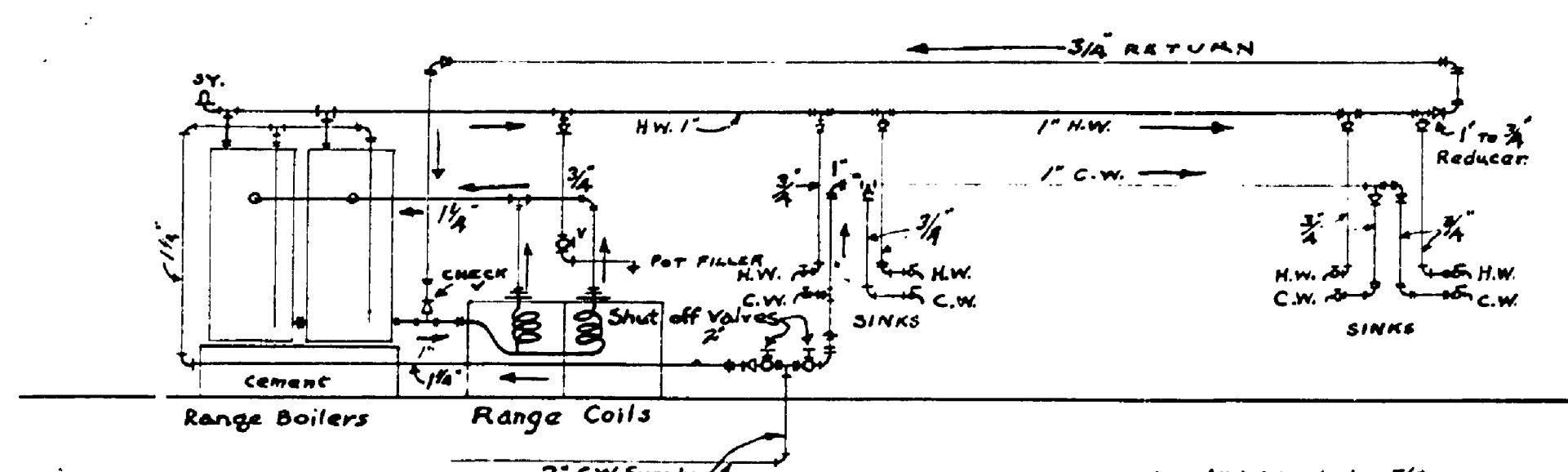


FLOOR PLAN
SCALE 1/4" = 1'-0"



TYPICAL SECTION
SCALE 3/4" = 1'-0"



LINE DIAGRAM OF WATER SUPPLY SYSTEM

MICH. DEPT. OF CONSERVATION IN COOPERATION WITH UNITED STATES DEPARTMENT OF THE INTERIOR NATIONAL PARK SERVICE		
DRAWN BY 2-F.M.	YANKEE SPRINGS PROJECT	PLAN 89-34 NO. 1 OF 3
DESIGNED BY W.C.	DINING HALL & KITCHEN	SCALE 1/4" = 1'-0"
CHECKED BY J.S.	JOB NO. 14	LD-MI-6 DATE 4-8-36
APPROVED AND PREPARED BY W.C.	PARK AUTHORITY OR SPONSOR	DATE
TRACED BY W.C.	INSPECTOR	DATE

INSURANCE No. 75

R-12-6