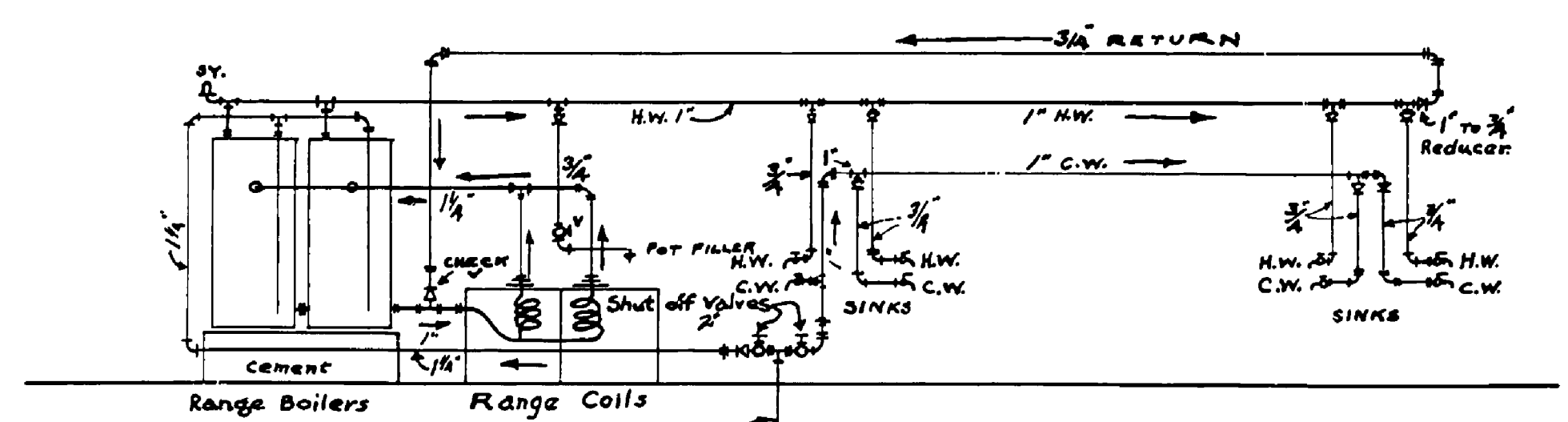
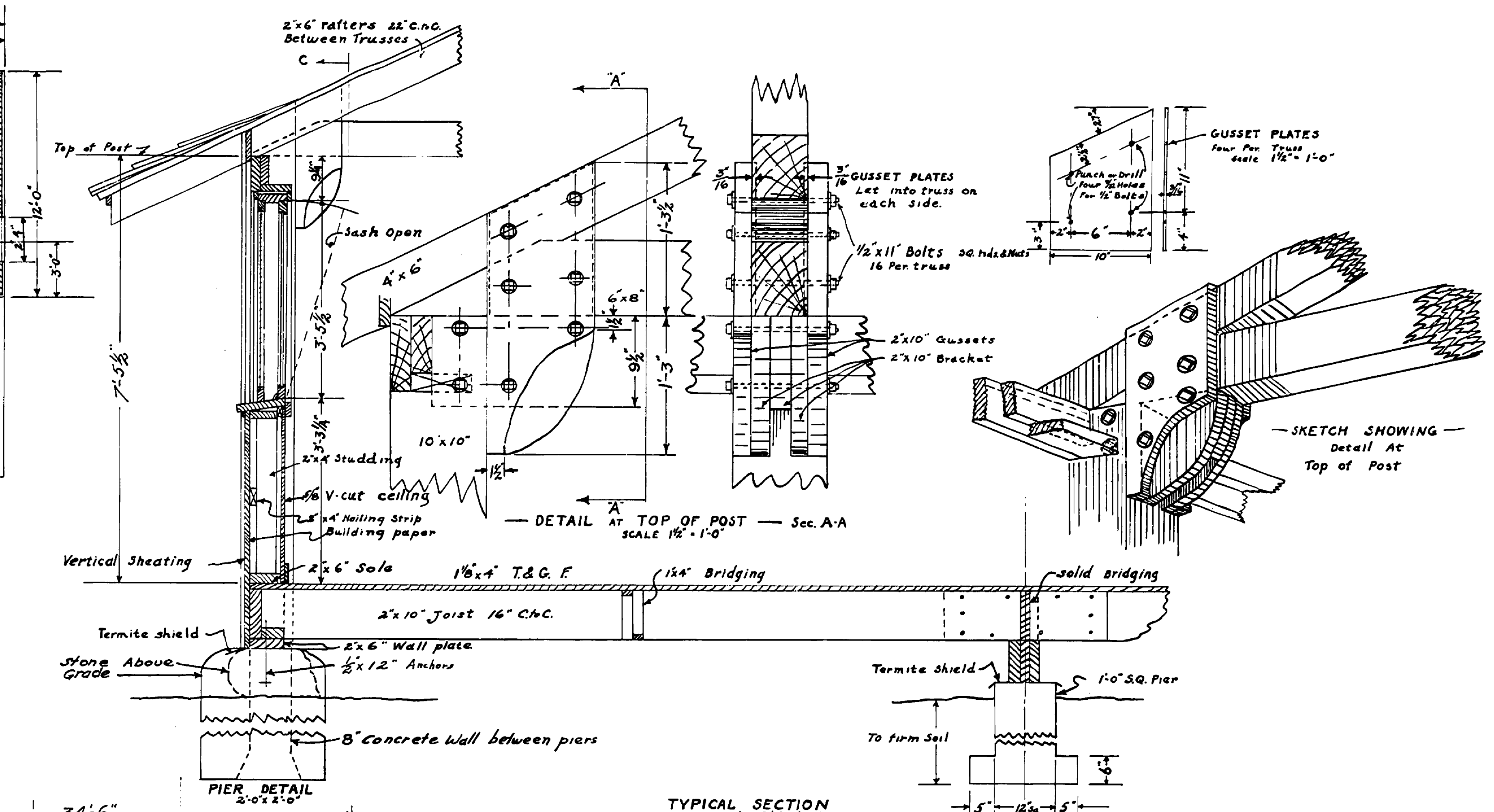
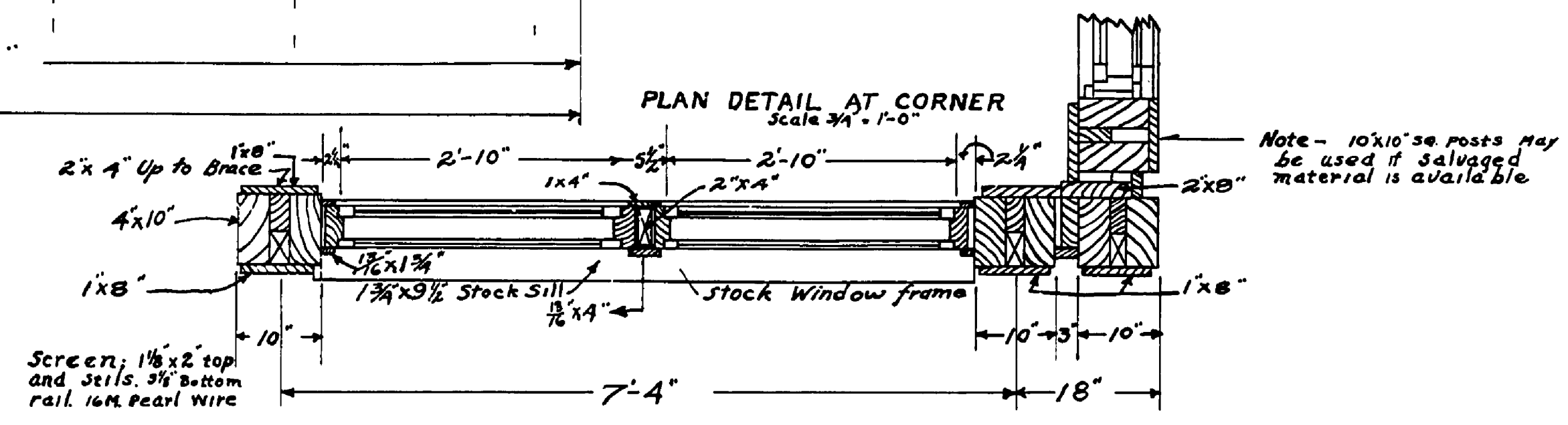


FLOOR PLAN
SCALE 1/4" = 1'-0"



LINE DIAGRAM OF WATER SUPPLY SYSTEM



PLAN DETAIL AT CORNER
SCALE 3/4" = 1'-0"

MICH. DEPT. OF CONSERVATION
IN COOPERATION WITH
UNITED STATES
DEPARTMENT OF THE INTERIOR
NATIONAL PARK SERVICE

DRAWN BY	E.P.H.	YANKEE SPRINGS PROJECT	PLAN 65-14
DESIGNED BY		DINING HALL & KITCHEN	NO. 1 OF 3
CHECKED BY		JOB NO. 14 NOONDAY LAKE	SCALE 1/2" = 1'-0"
			LD-MI-6
			DATE 4-8-38
PREPARED AND APPROVED BY		PARK AUTHORITY OR SPONSOR	DATE
		INSPECTOR	DATE

TRACED BY J.C.C. DATE 2-25-39

INSURANCE No. 75