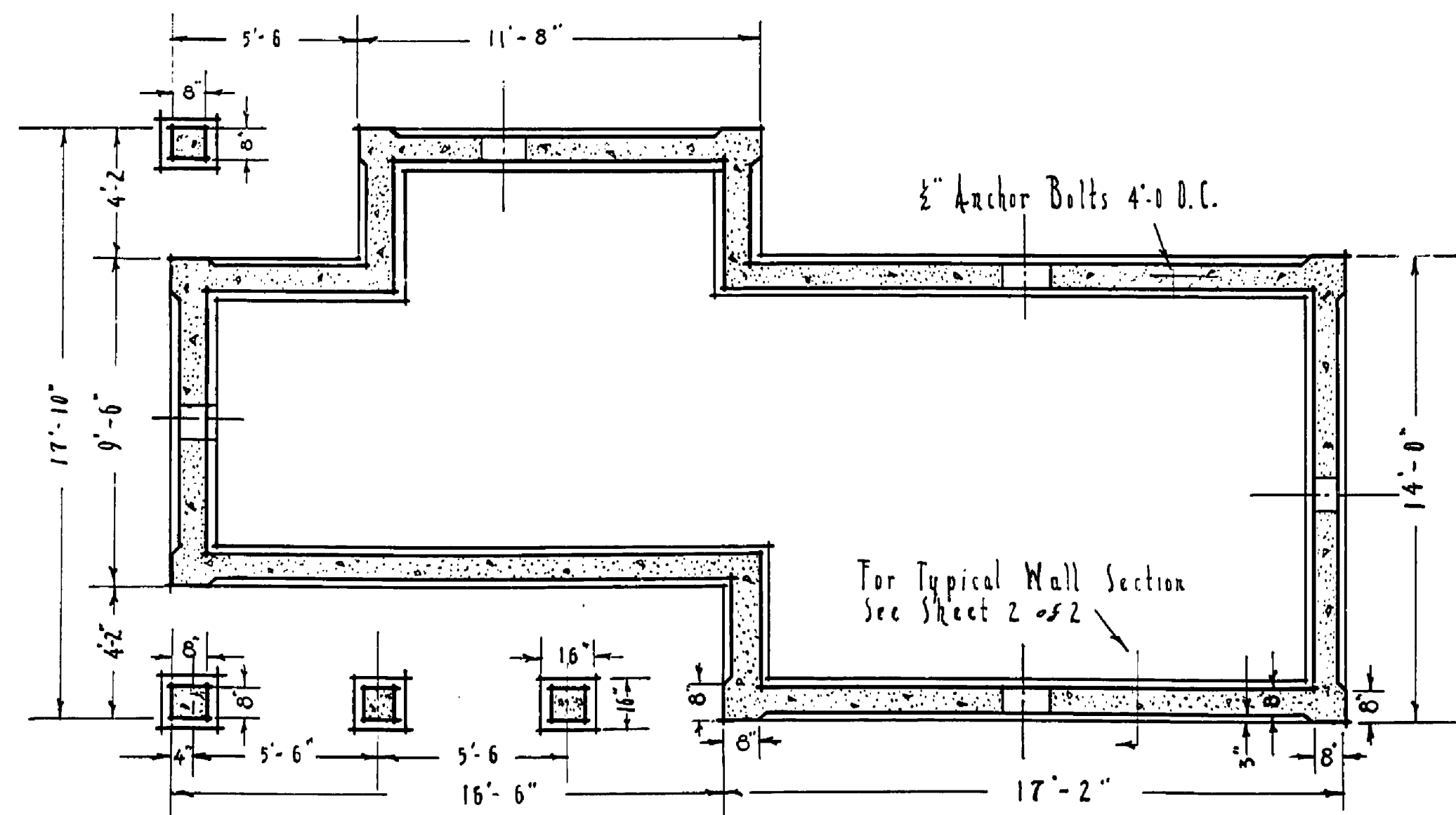
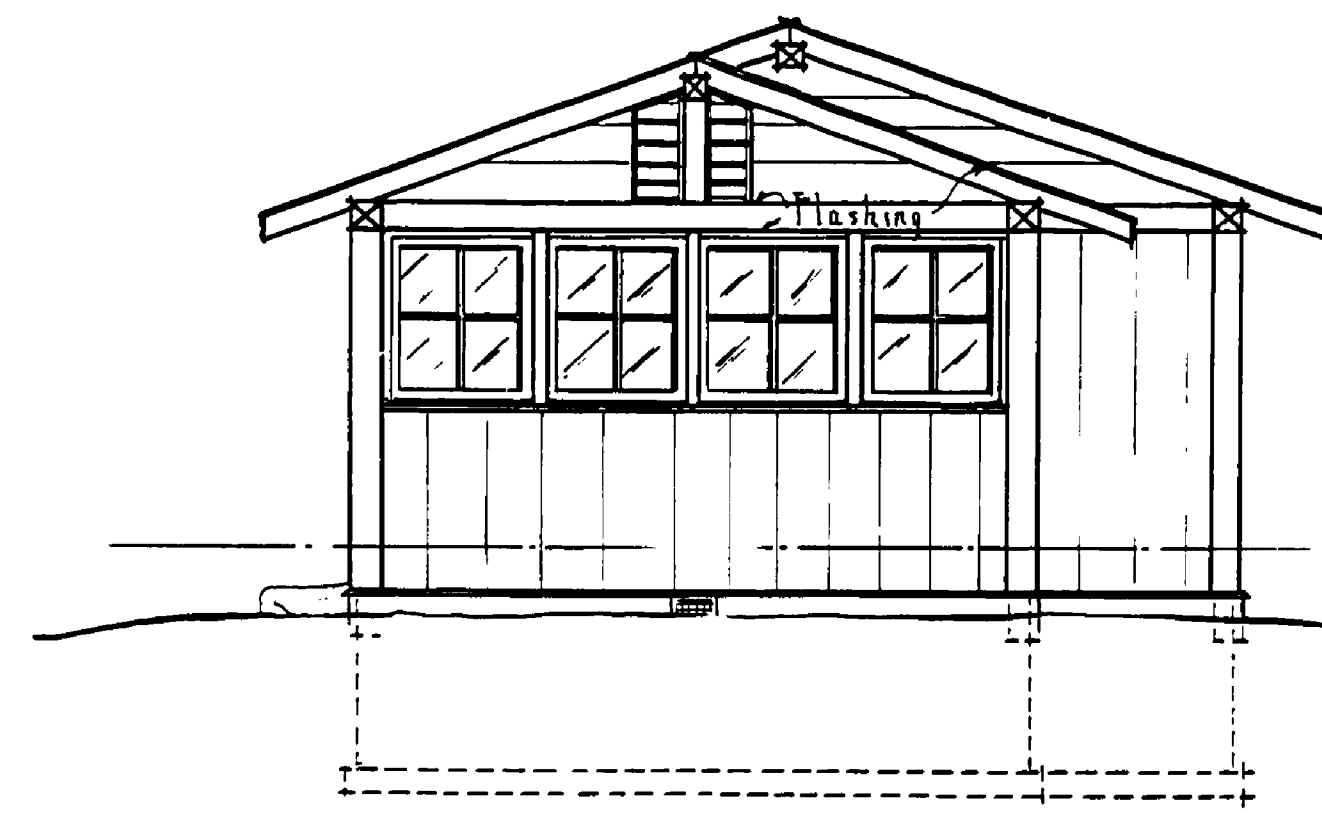


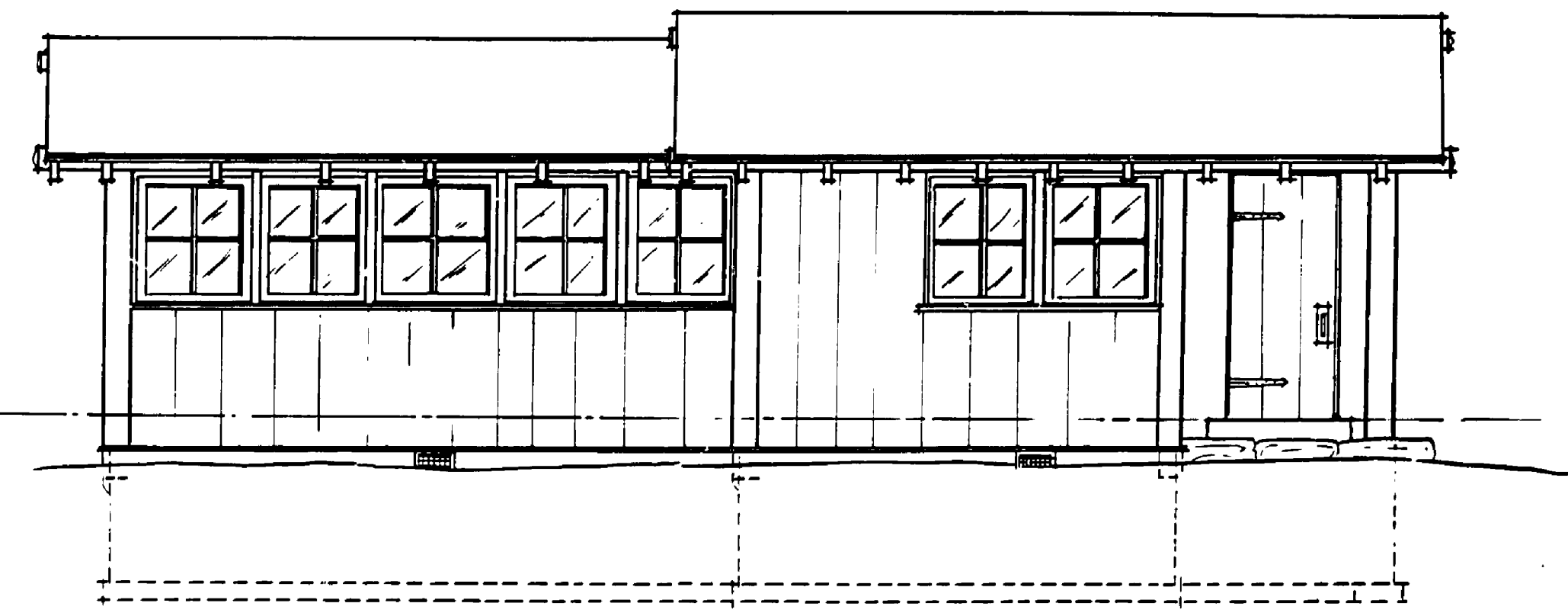
FLOOR PLAN
Scale 1/4" = 1'-0"



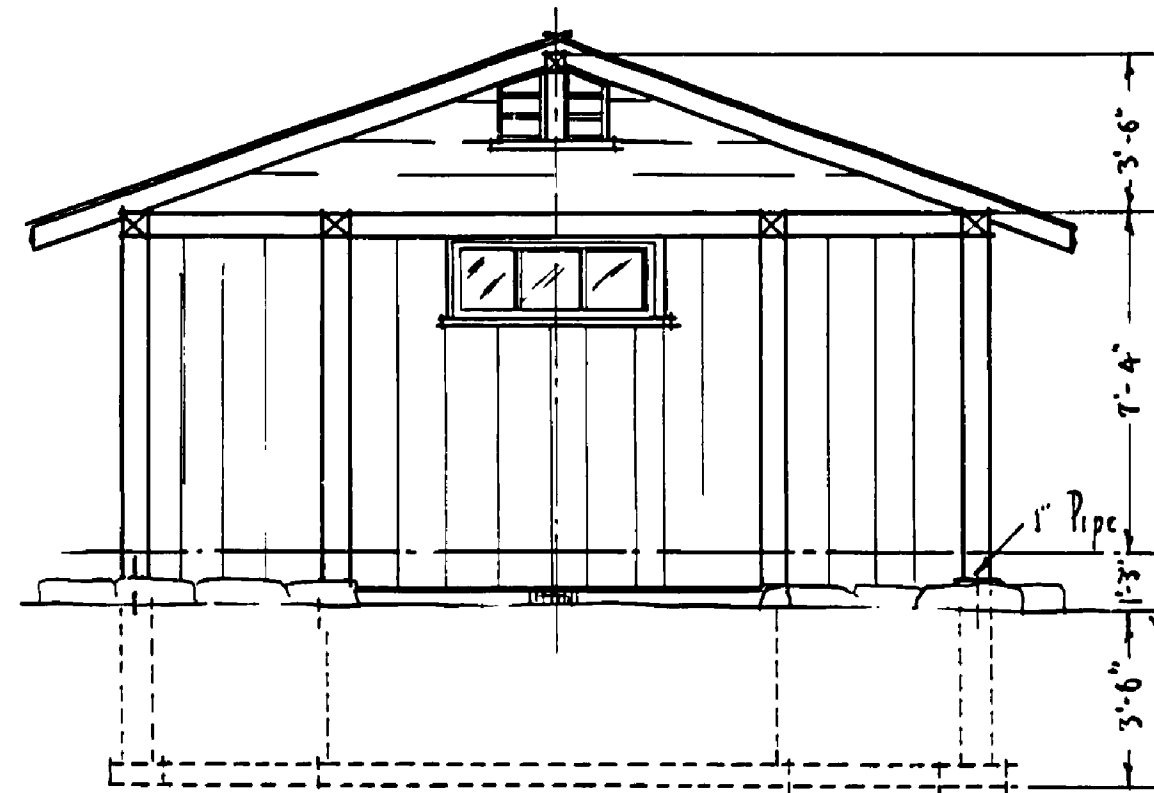
FOUNDATION PLAN
Scale 1/4" = 1'-0"



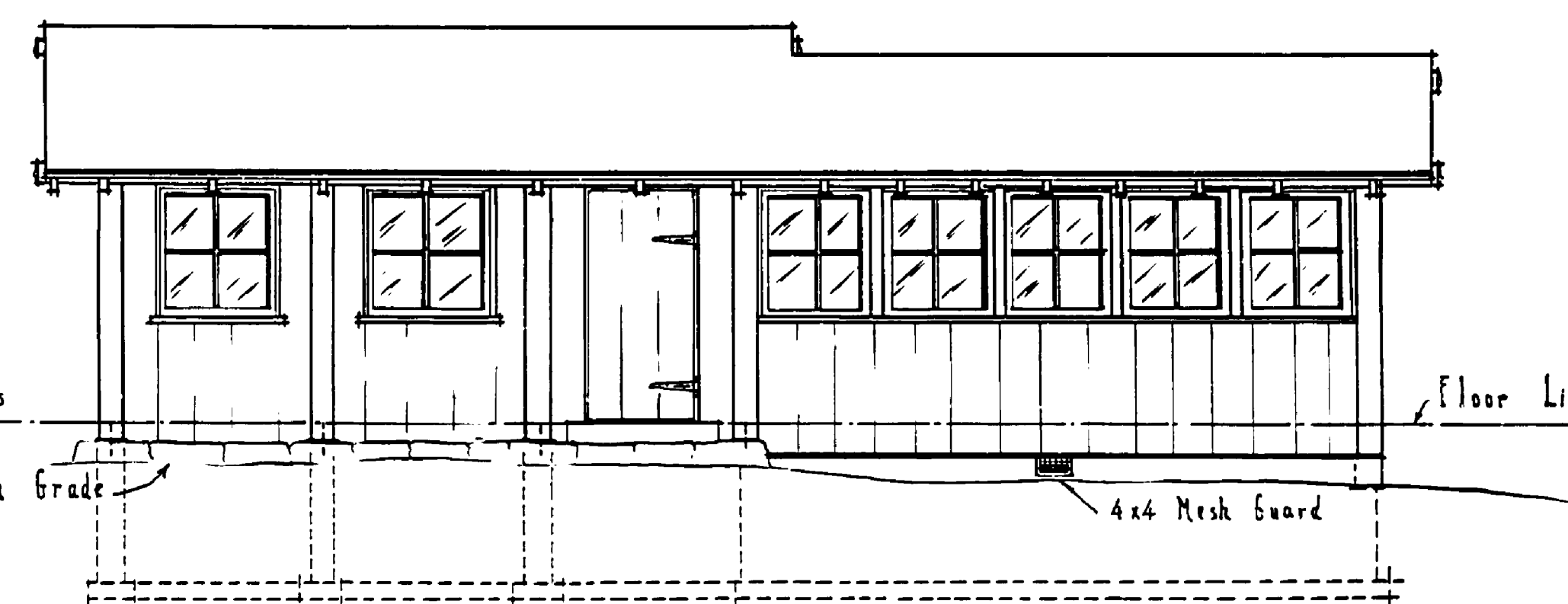
END ELEVATION
Scale 1/4" = 1'-0"



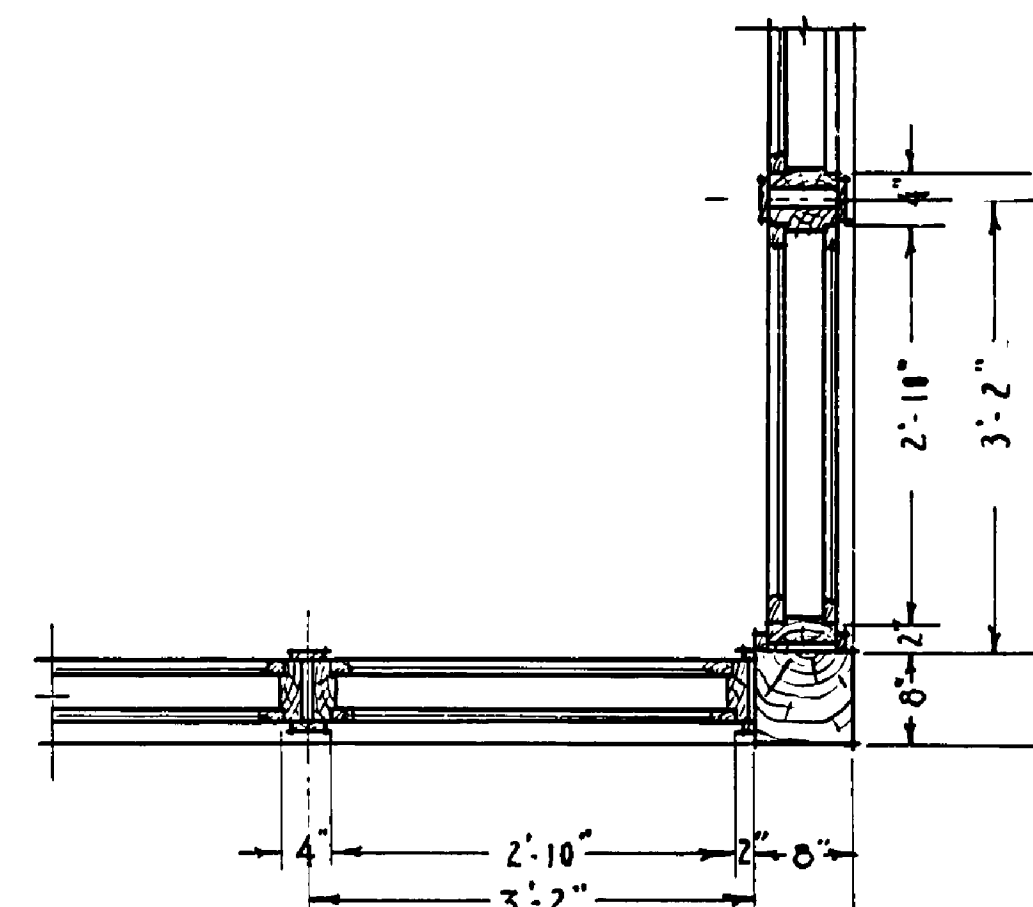
REAR ELEVATION
Scale 1/4" = 1'-0"



END ELEVATION
Scale 1/4" = 1'-0"



FRONT ELEVATION
Scale 1/4" = 1'-0"



PLAN SECTION OF WALL
Scale 1/4" = 1'-0"

UNITED STATES DEPARTMENT OF THE INTERIOR NATIONAL PARK SERVICE COOPERATING WITH MICHIGAN CONSERVATION DEPARTMENT			
DRAWN BY E. F. H.	YANKEE SPRINGS PROJECT	PLAN 90-27 NO. 1 OF 2	SCALE AS SHOWN
DESIGNED BY E. F. H.	ADMINISTRATION BUILDING	R-P-D-M-6	DATE 9-12-36
CHECKED BY MUD LARK	PROJECT MANAGER	DATE	DATE
RECOMMENDED BY FRANK H. HARTWIG	INSPECTOR	DATE	DATE
APPROVED BY DATE 5-0-38	REGIONAL DIRECTOR	DATE	DATE

INSURANCE No. 70

JOB #16

A-128