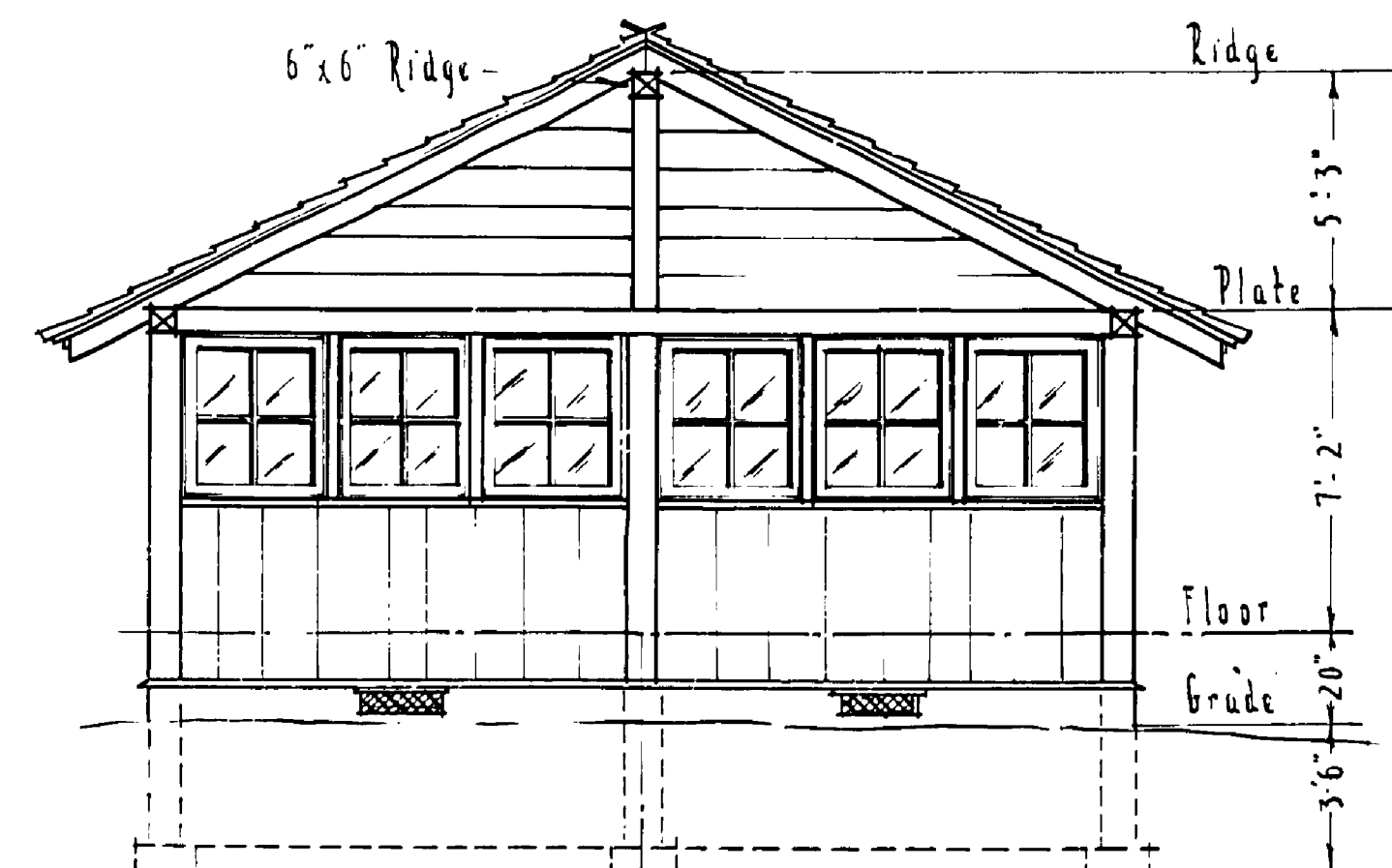
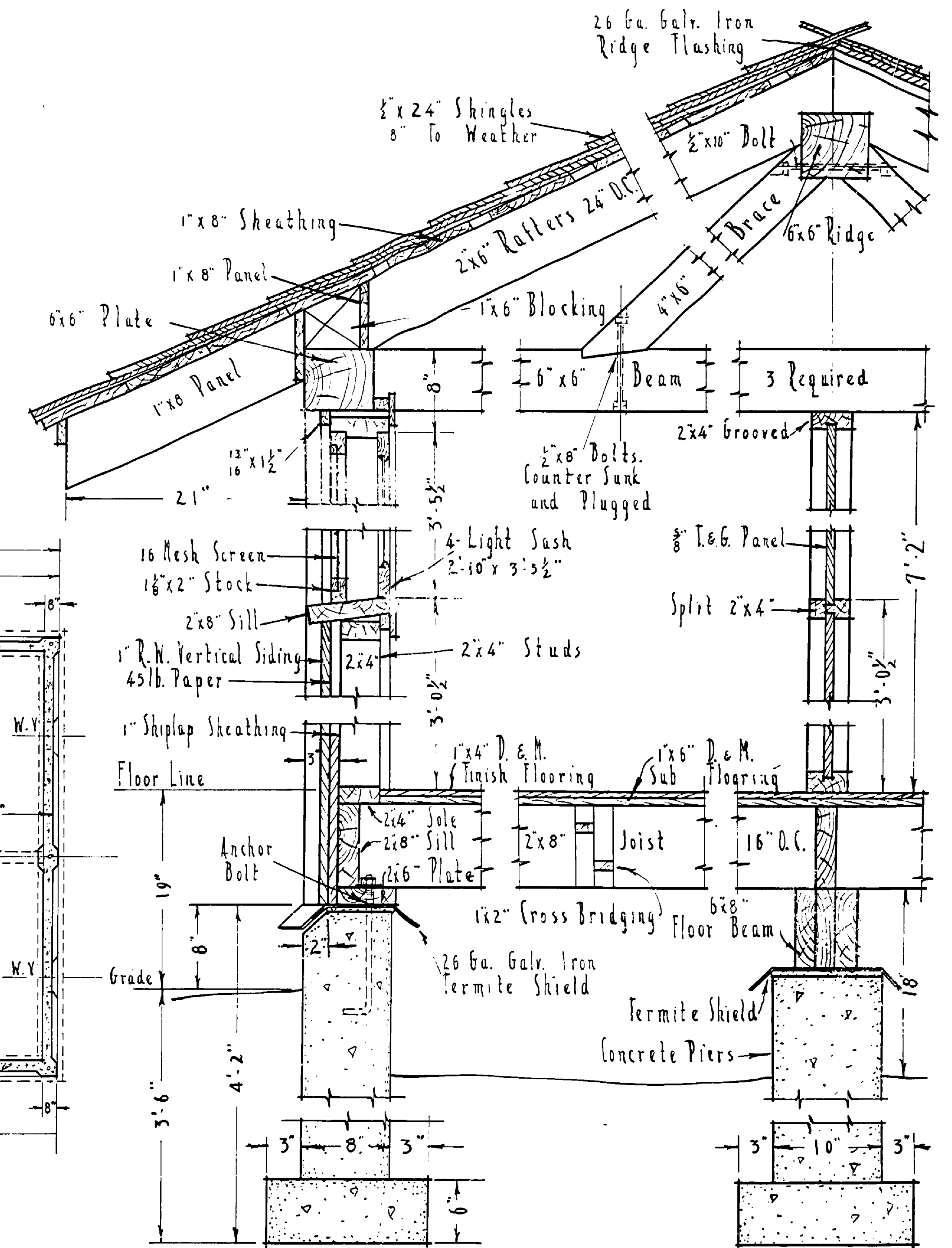


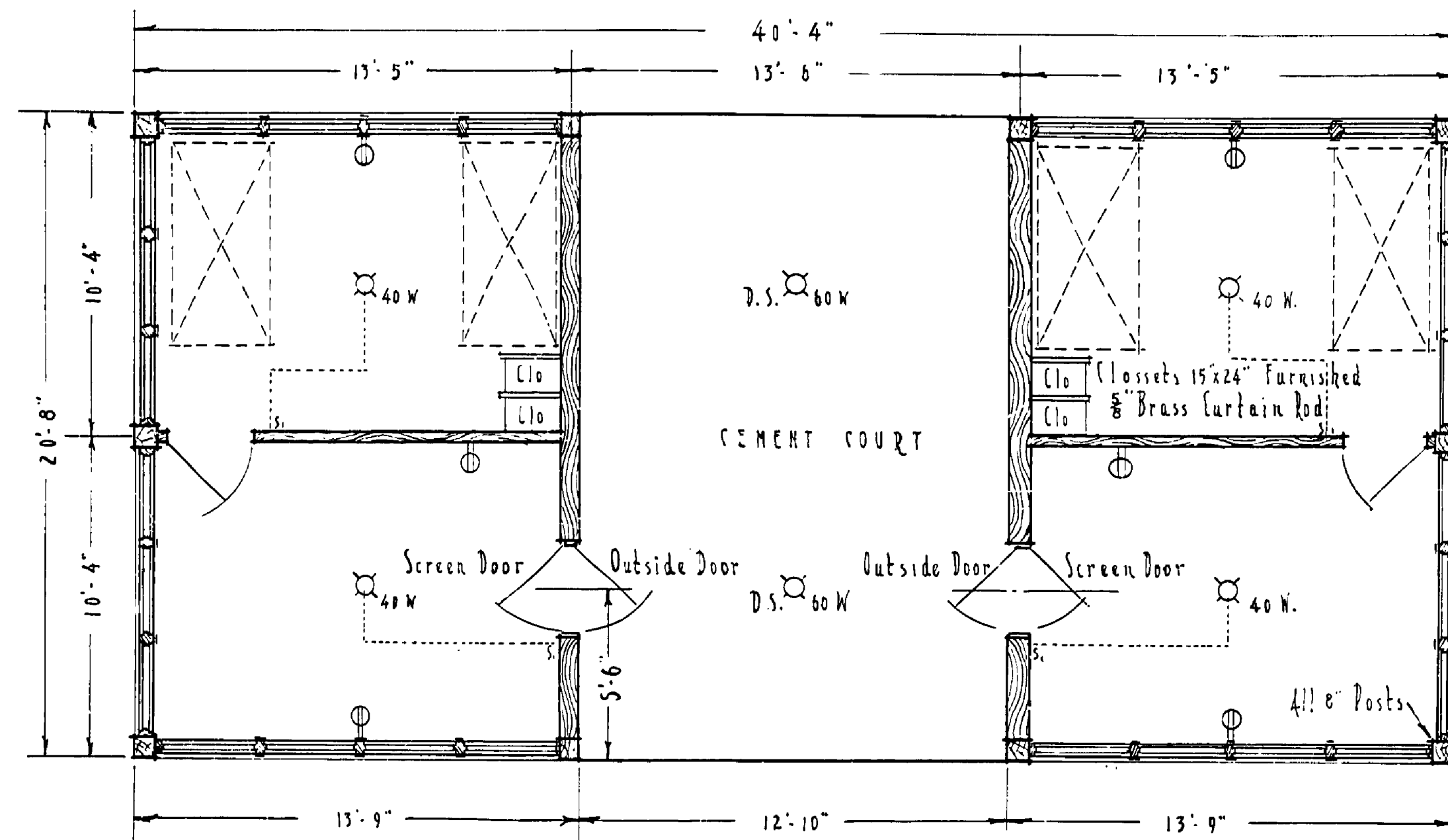
FRONT ELEVATION
Scale 3/4"=1'-0"



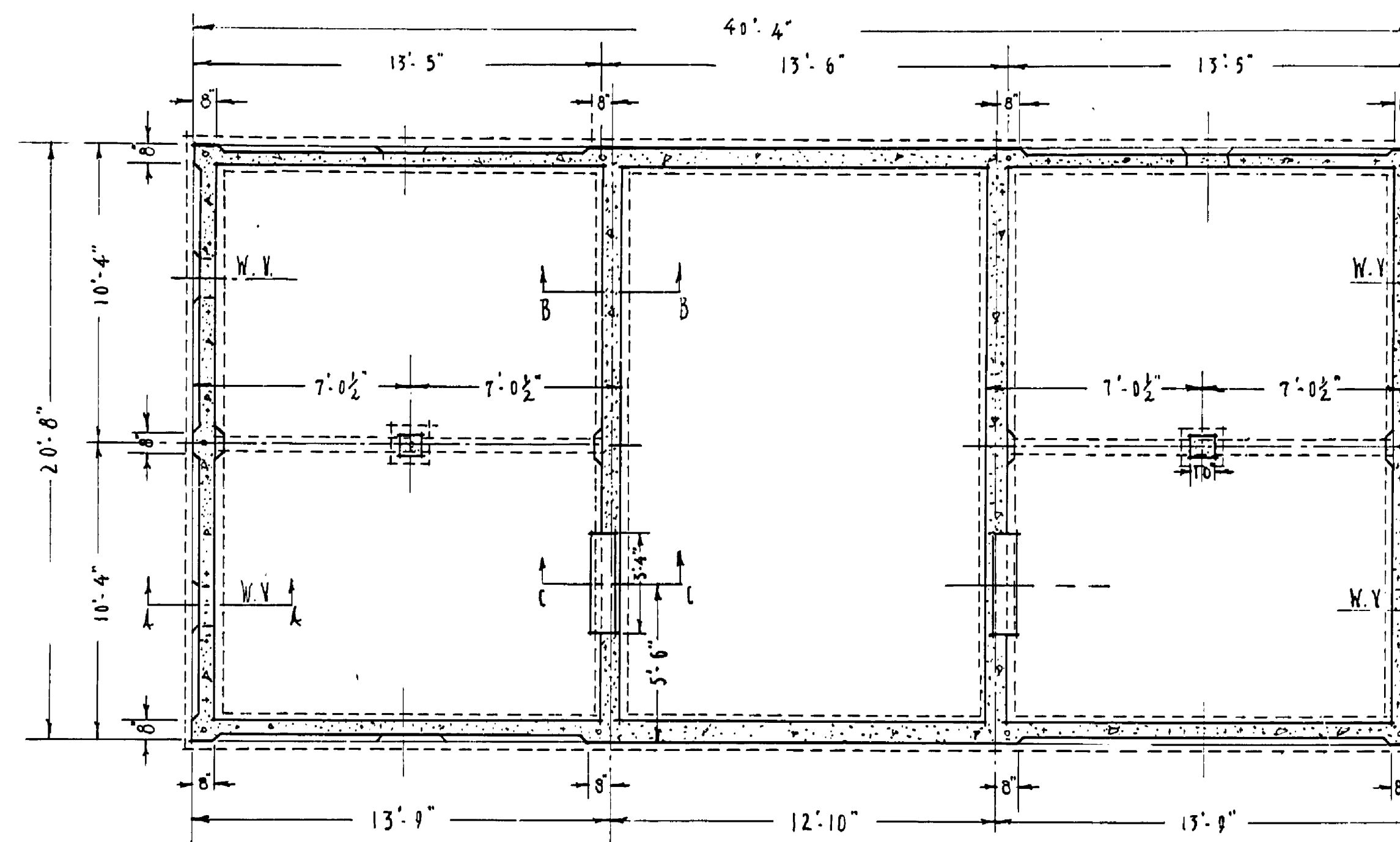
END ELEVATION
Scale 3/4"=1'-0"



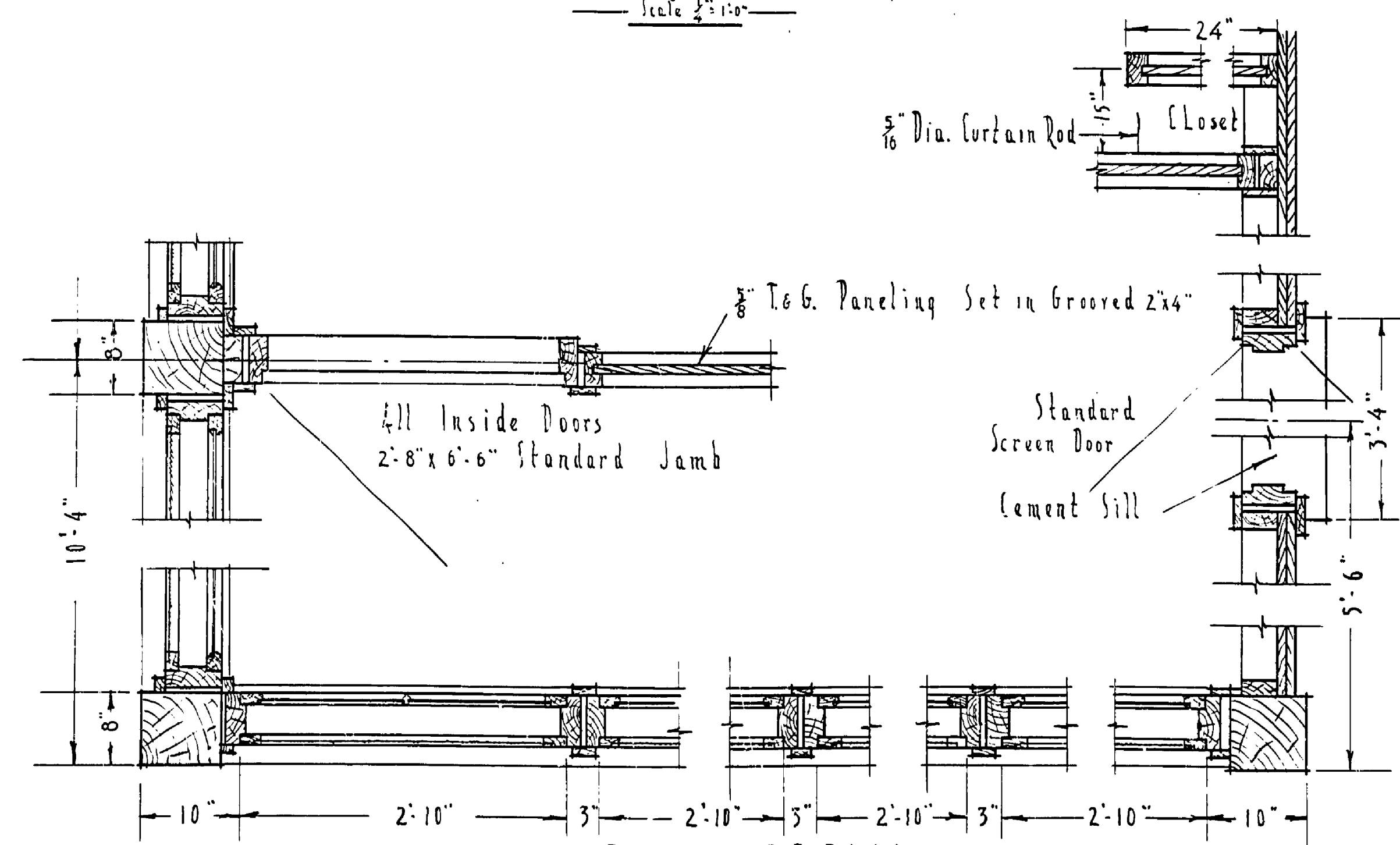
TYPICAL WALL SECTION
Scale 1/2"=1'-0"



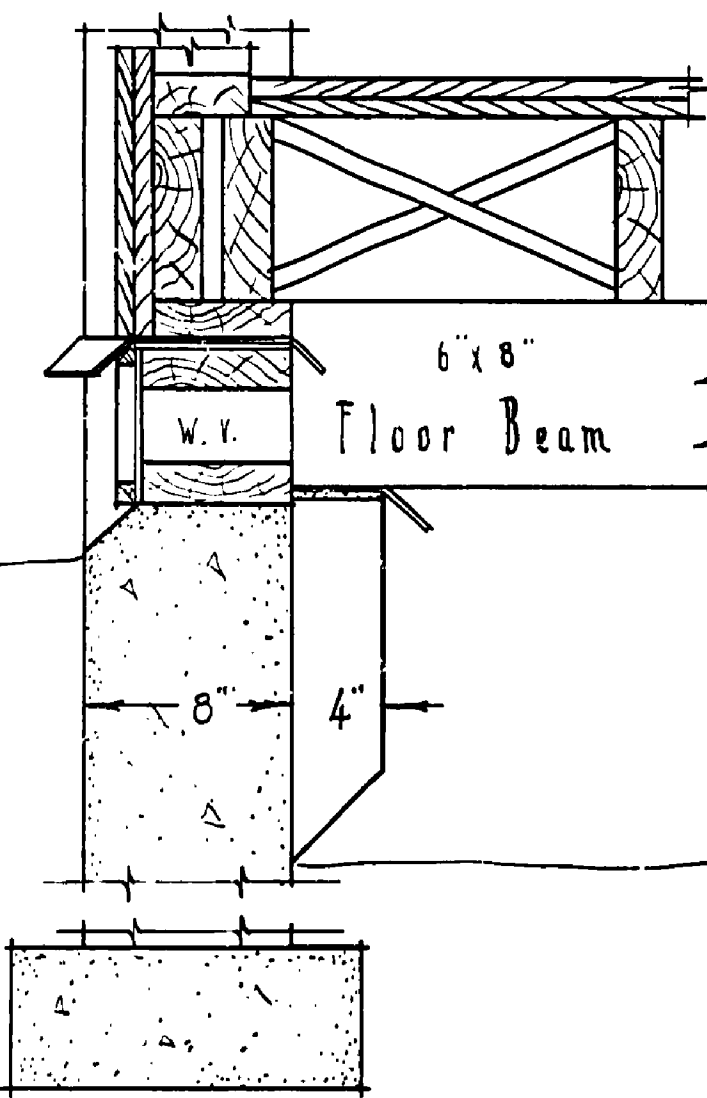
FLOOR PLAN
Scale 3/4"=1'-0"



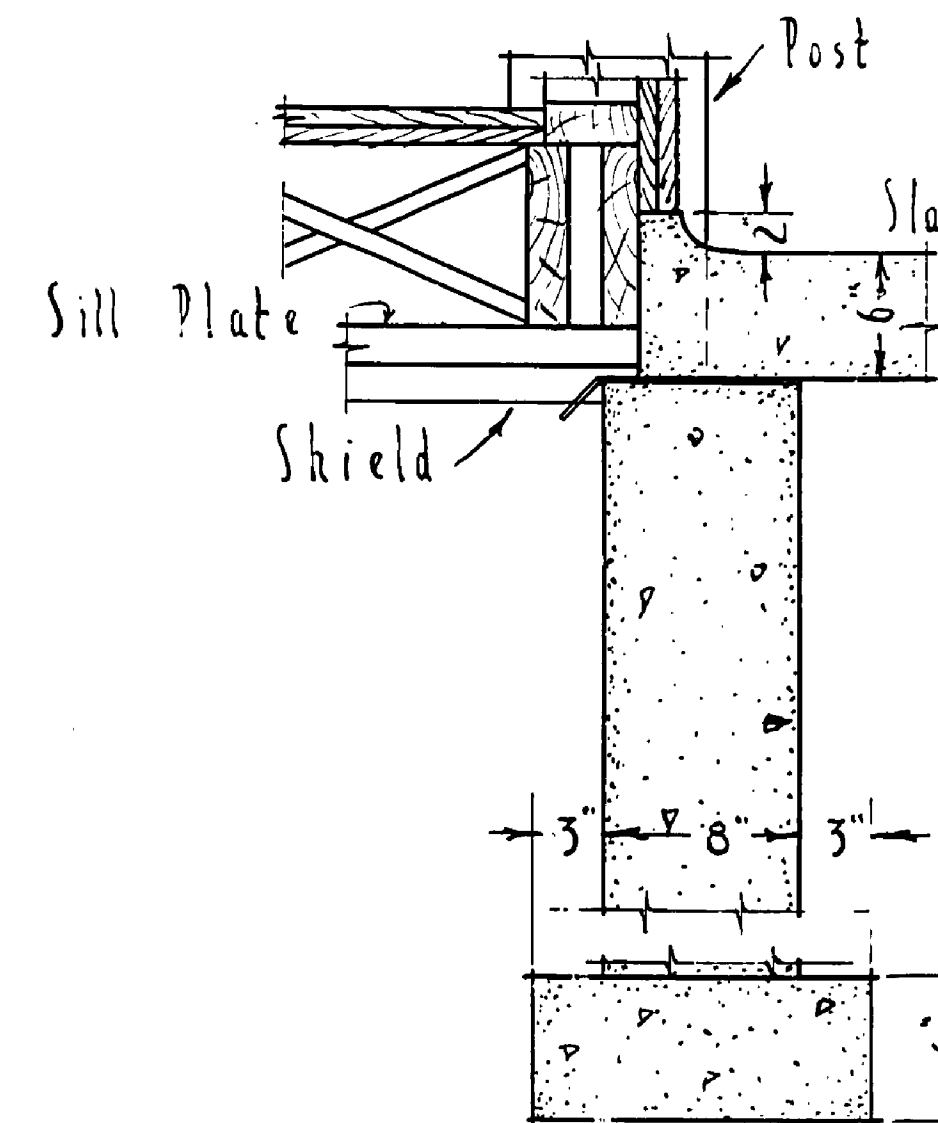
FOUNDATION PLAN
Scale 3/4"=1'-0"



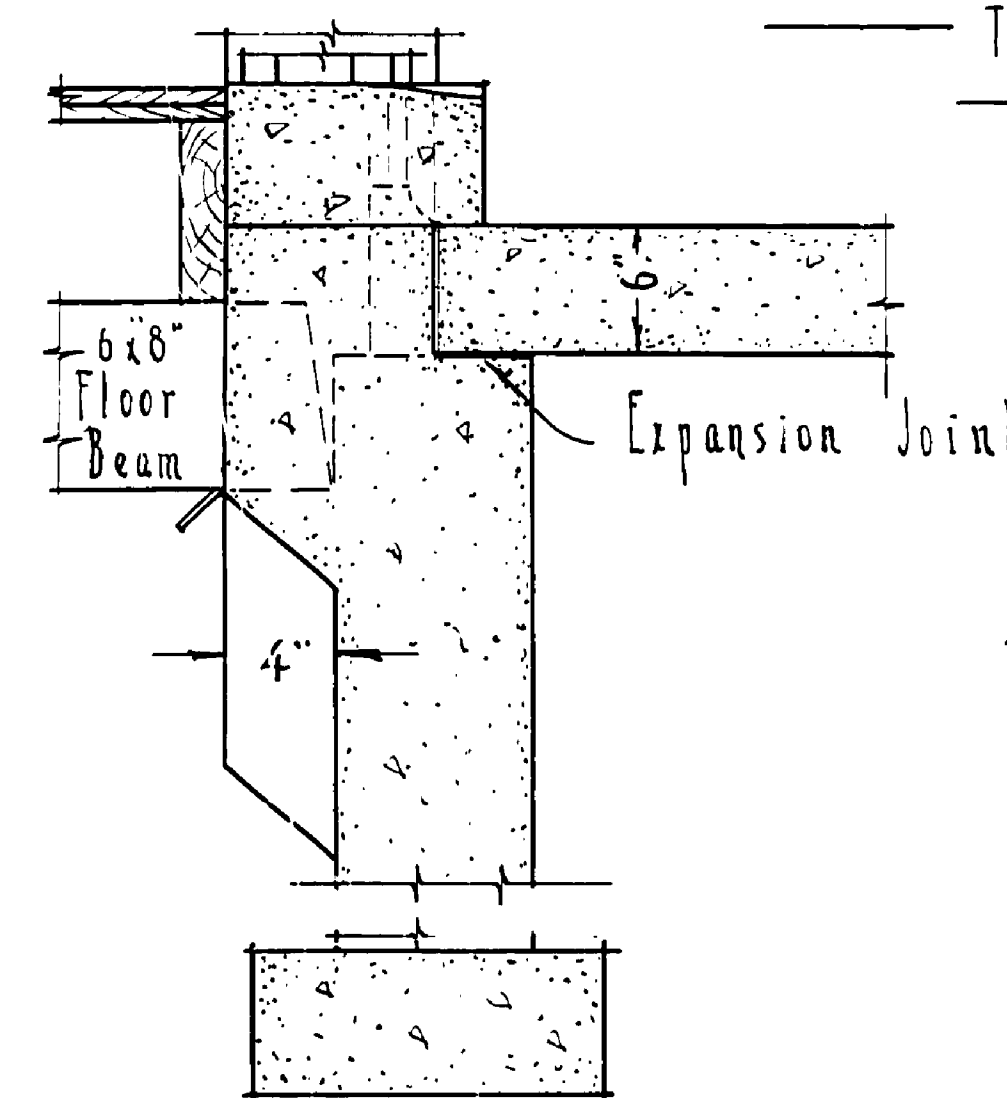
PLAN DETAIL
Scale 1/2"=1'-0"



SECTION A-A
Scale 1/2"=1'-0"



SECTION B-B
Scale 1/2"=1'-0"



SECTION C-C
Scale 1/2"=1'-0"

UNITED STATES DEPARTMENT OF THE INTERIOR NATIONAL PARK SERVICE COOPERATING WITH MICHIGAN CONSERVATION DEPARTMENT		
DRAWN BY E. W. G.	YARKEE SPRINGS PROJECT	PLAN NO. 90-39
DESIGNED BY E. F. H.	HELP'S QUARTERS	SCALE AS SHOWN
CHECKED BY E. F. H.	MUD LAKE	R. D. P. M. 6
		DATE 5-10-37
PREPARED AND APPROVED BY C. F. Saunders	PROJECT MANAGER	DATE
RECOMMENDED	INSPECTOR	DATE
APPROVED	REGIONAL DIRECTOR	DATE

TRACED BY
A. M. H.
DATE 7-6-38