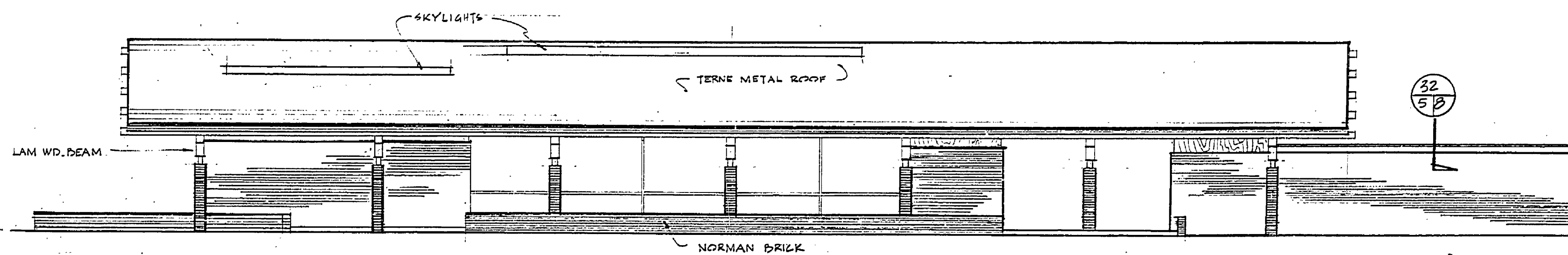
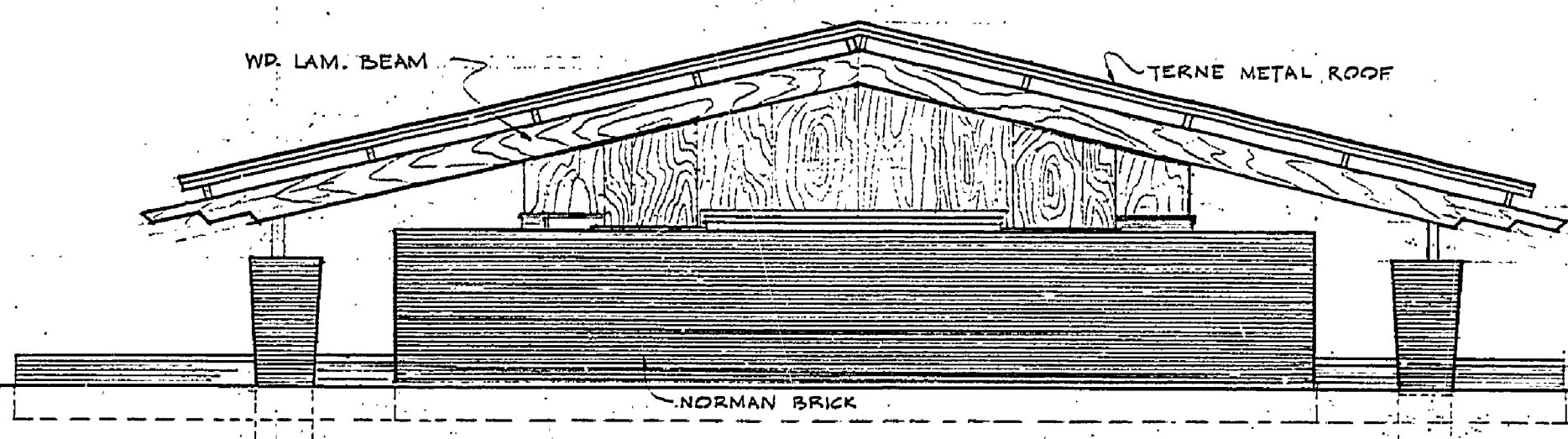


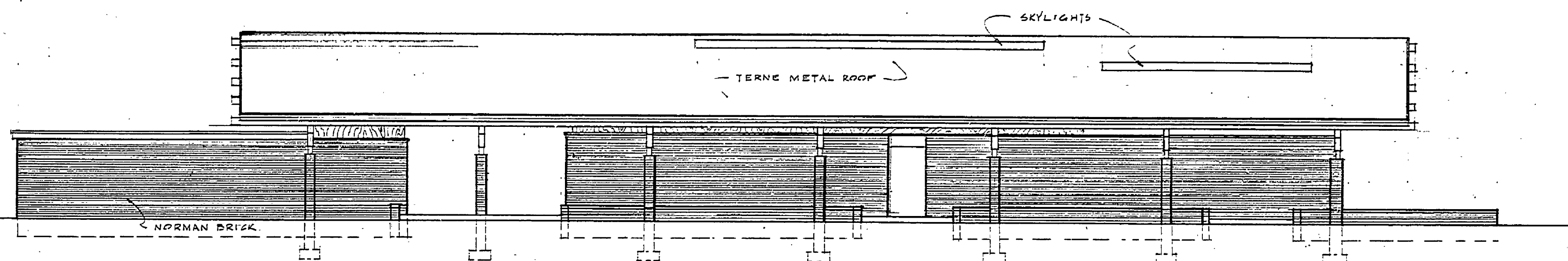
NORTH ELEVATION
SCALE 1/8"=1'-0"



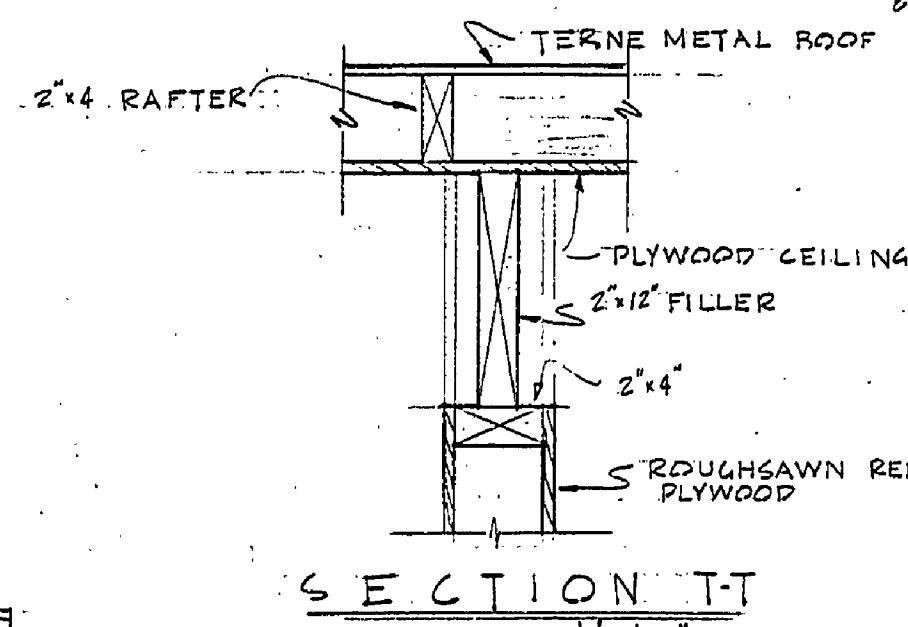
WEST ELEVATION
SCALE 1/8"=1'-0"



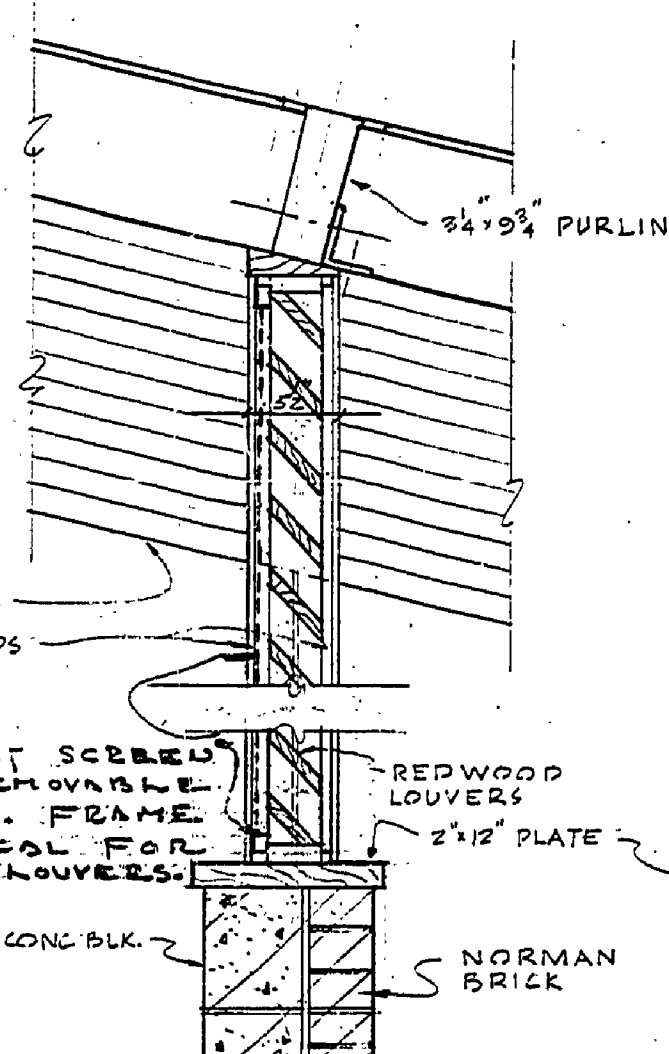
SOUTH ELEVATION
SCALE 1/8"=1'-0"



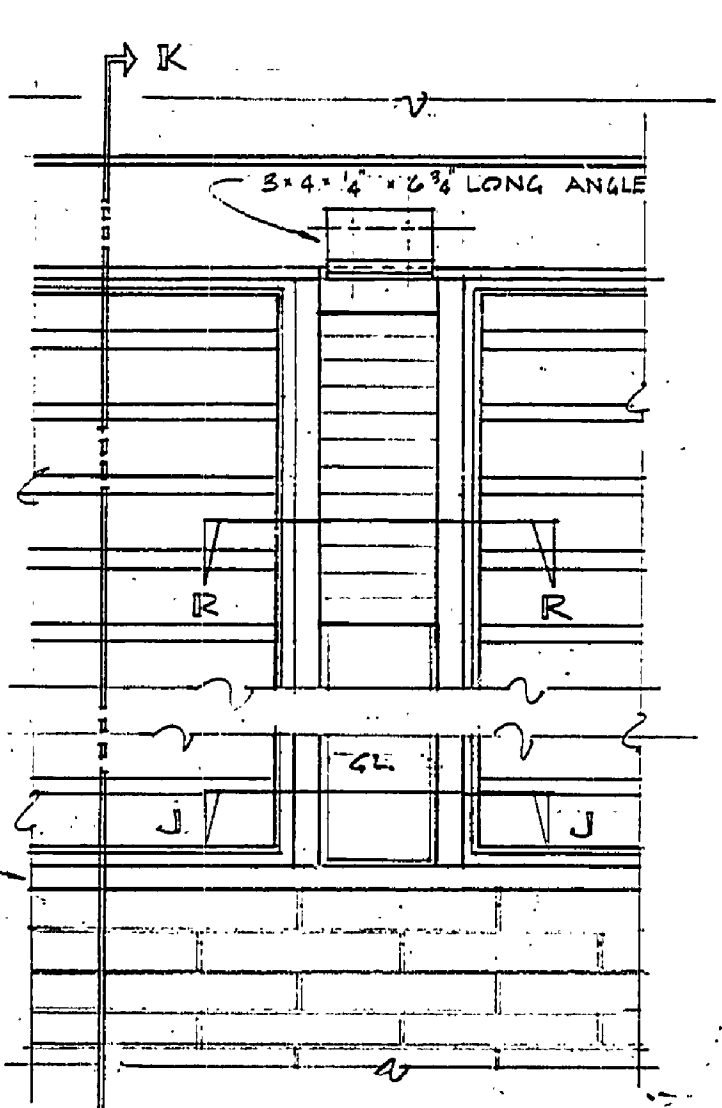
EAST ELEVATION
SCALE 1/8"=1'-0"



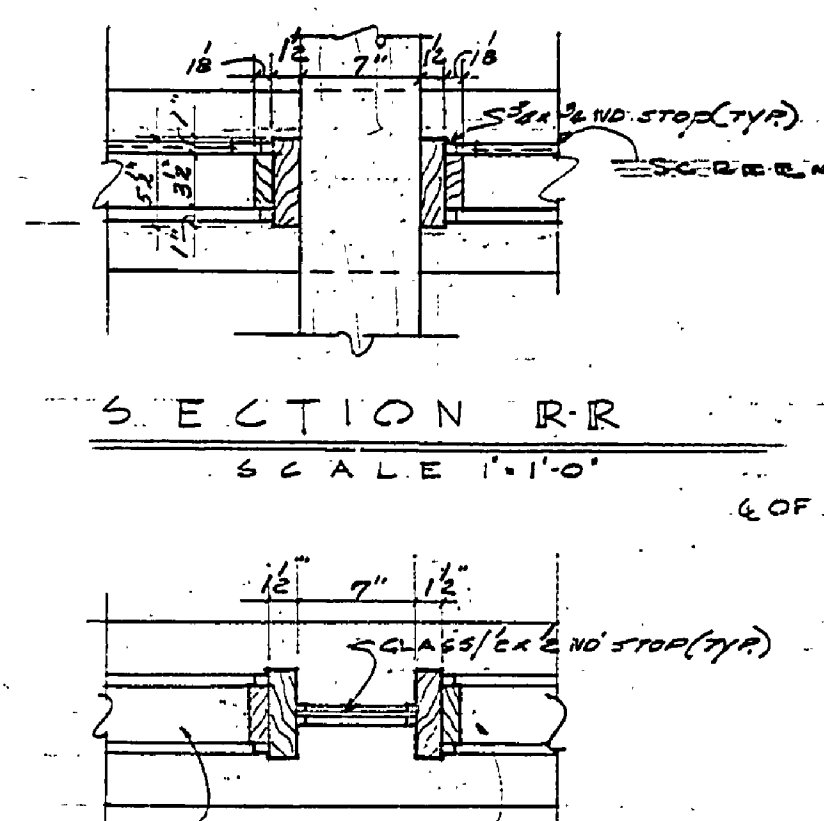
SECTION T-T
SCALE 1/2"=1'-0"



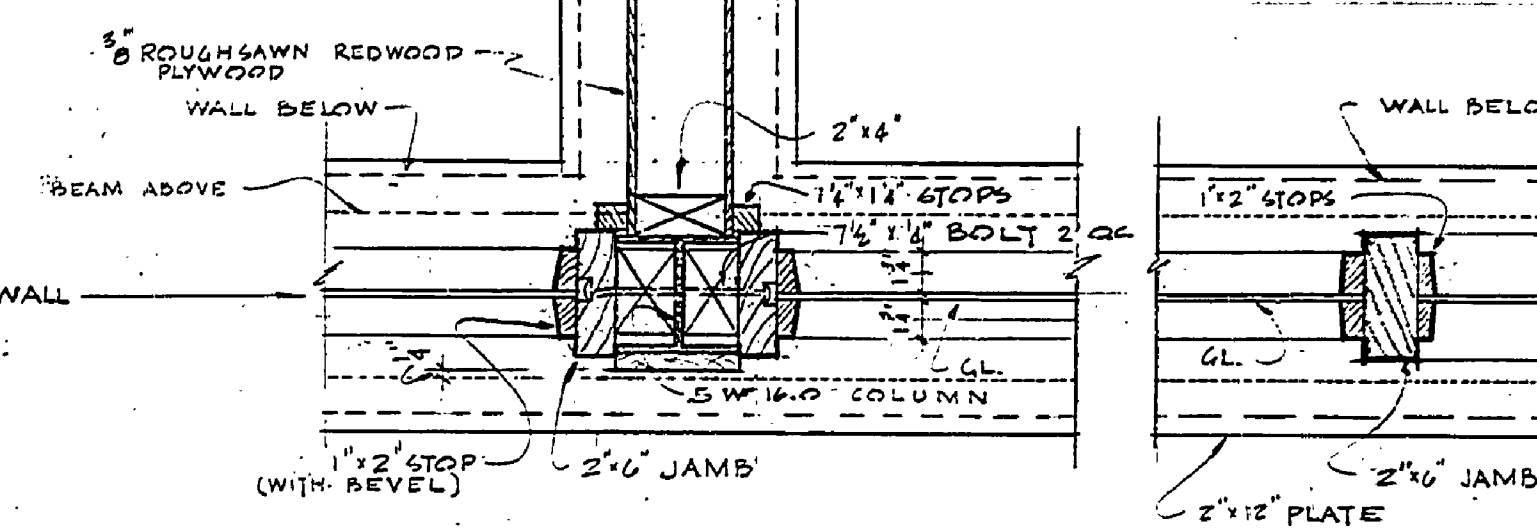
SECTION K-K
SCALE 1/2"=1'-0"



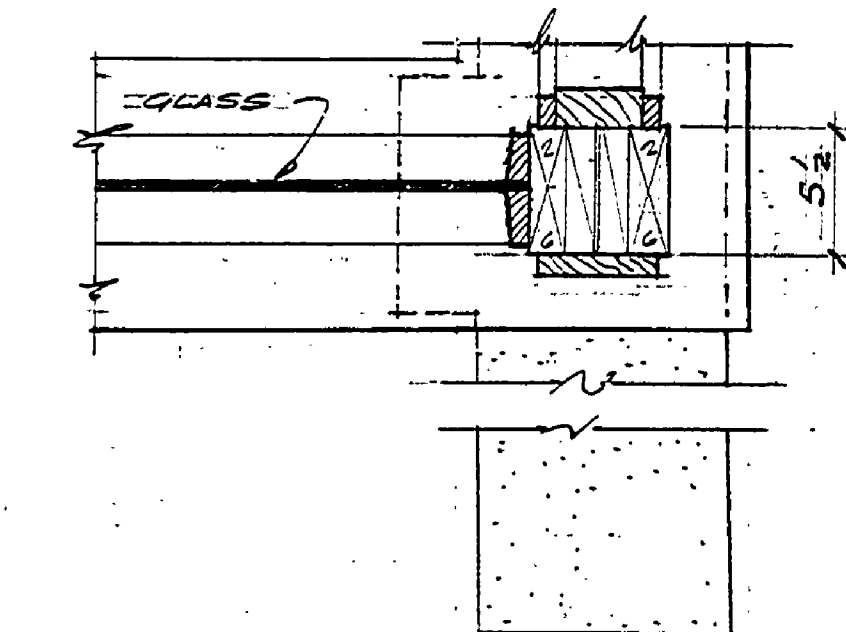
LOUVER ELEVATION
SCALE 1/2"=1'-0"



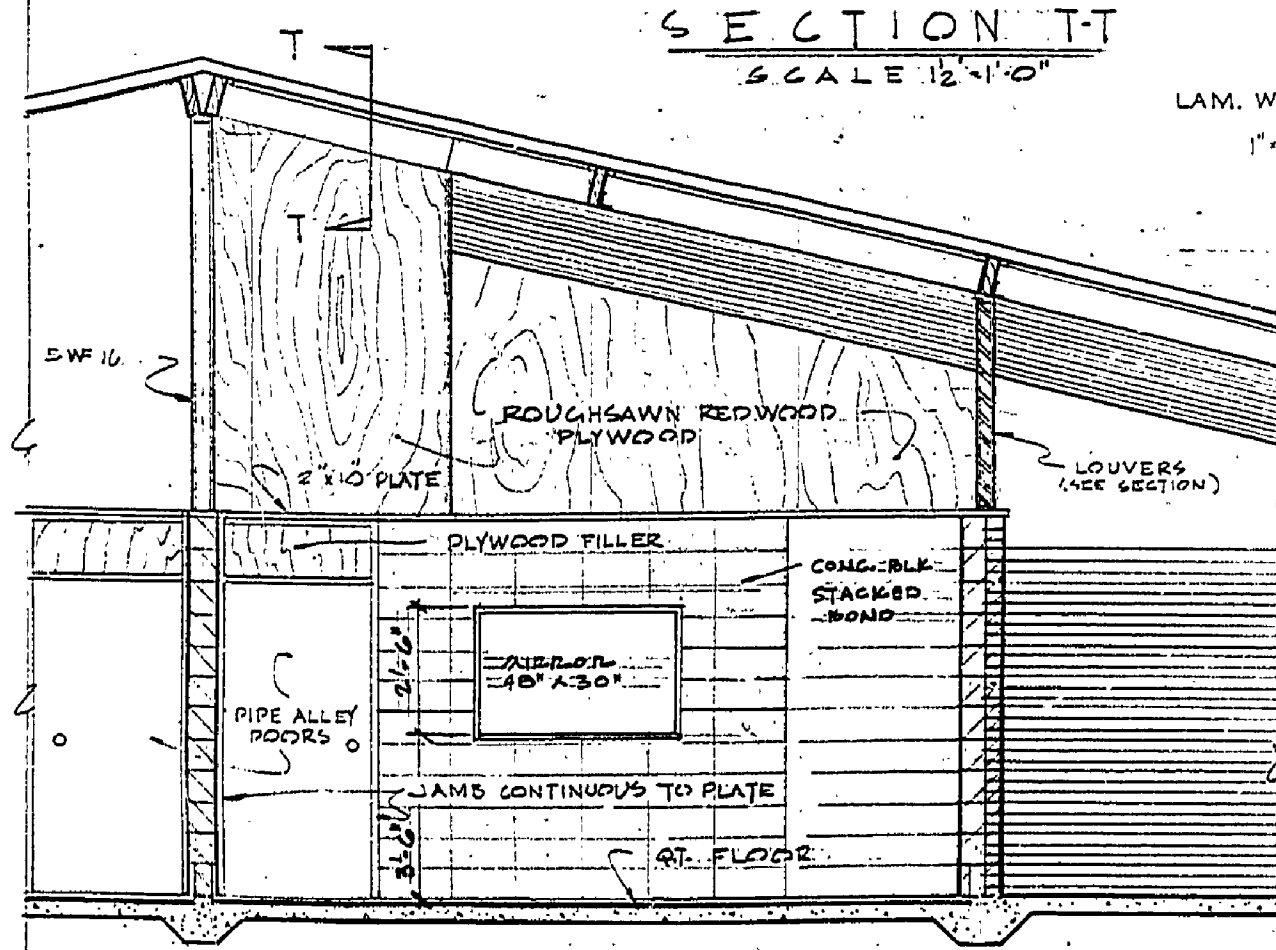
SECTION R-R
SCALE 1/2"=1'-0"



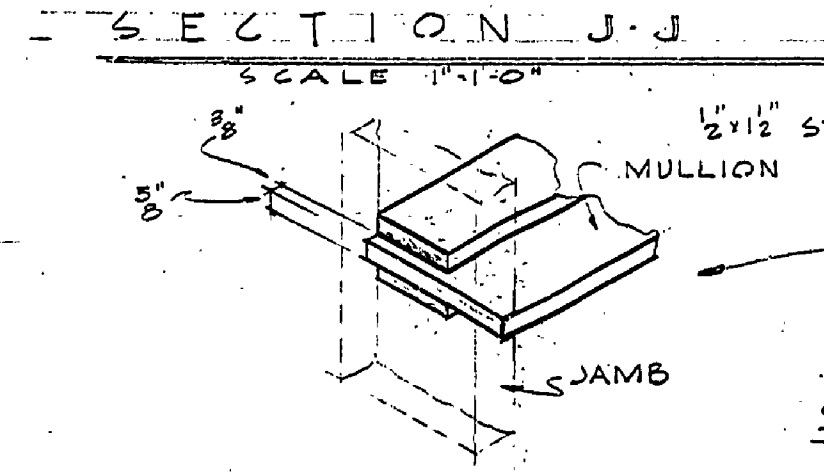
SECTION D-D
SCALE 1/2"=1'-0"



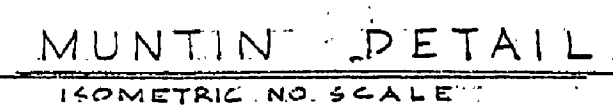
SECTION C-C
SCALE 1/2"=1'-0"



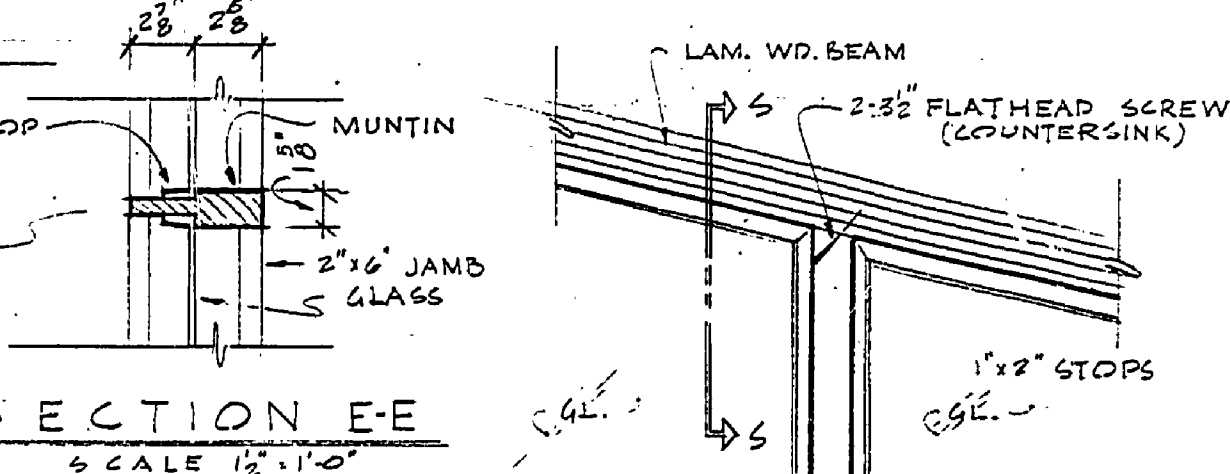
SECTION 24/315
SCALE 1/2"=1'-0"



SECTION J-J
SCALE 1/2"=1'-0"

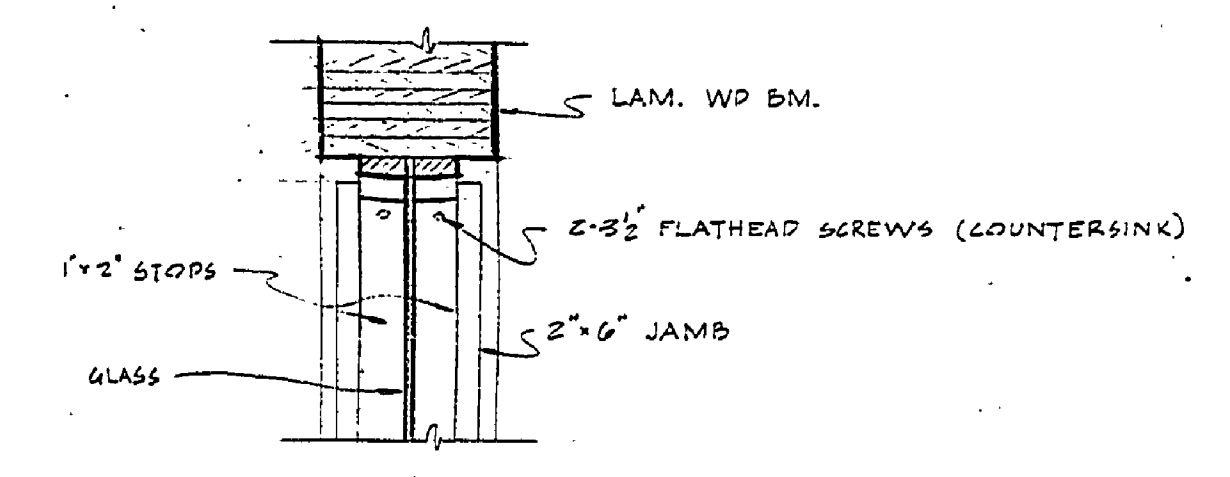


MUNTIN DETAIL
ISOMETRIC NO. SCALE



SECTION E-E
SCALE 1/2"=1'-0"

WINDOW FRAME DETAIL
SCALE 1/2"=1'-0"



SECTION S-S
SCALE 1/2"=1'-0"

| | | | | | | | | | | | | | |
|-------------|---------------|-----|------|----|-----------|-----|------|----|-----------|--|--|------------------|----------------------|
| SURVEYED BY | DRAWN BY JAC. | NO. | DATE | BY | REVISIONS | NO. | DATE | BY | REVISIONS | MICHIGAN DEPARTMENT OF CONSERVATION | YANKEE SPRINGS RECREATION AREA BEACHHOUSE & CONCESSION | SHEET NO. 5 OF 9 | ELEVATIONS & DETAILS |
| DESIGNED BY | CHECKED BY | 1. | | | | 3. | | | | FOR PROJECT NO. 92-999-9972-976-025-G1 | | SHEET 5 OF 5 | PLAN NO. A-139 |
| | DATE | 2. | | | | 4. | | | | | | | |